

Order No.: 51TP11DN4EXR | **GTIN (EAN):** 4058352210512

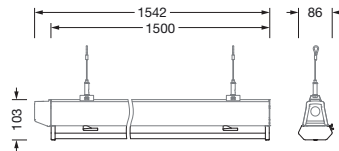
Product description: Lic11Pr,nrrw,14140lm840,DA2,IP64,L1500



Licross® 11 Protected HO, luminaire insert, of sheet steel, galvanised, coil coated, white, length: 1.500mm, width: 90mm, height: 101mm, LED rated luminous flux: 14.140lm, light colour: 840, control gear: DALI 2, control gear: ECG DALI, with plug, 5-pole, with phase selection, mains connection: 220..240V, AC, 50/60Hz, rated input power: 84W, halogen-free wiring, primary optical cover: cover, of PMMA, light emission: direct distribution, primary light characteristic: symmetric, protection rating (complete): IP64, insulation class (complete): insulation class I (protective earthing), certification: CE, ENEC, VDE, UKCA, protection symbol: D if used in an environment with conductive dust loads with corresponding accessories, impact resistance: IK06, permissible ambient temperature for indoor applications: -25..+35°C, reducing of maximum allowable ambient temperature of 5°C with ceiling mounting, corresponds to IFS (International Featured Standards) requirements for safety and quality in the food industry, LABS conformity tested according to VDMA 24364:2018-05, packaging unit: 1 piece



Lamps:	LED
Wt. (kg):	3.2
GTIN (EAN):	4058352210512



Order No.: 51TP11DN4EXR | **GTIN (EAN):** 4058352210512

Detailed technical description: Lic11Pr,nrrw,14140lm840,DA2,IP64,L1500



Key data

- Product type: luminaire insert
- Product name: Licross® 11 Protected HO
- Order No.: 51TP11DN4EXR

Lighting technology | Lamps | Control gear

Component 1

Lighting technology:

- Cover: cover
- Beam angle: narrow distribution
- Symmetry: symmetric
- Light emission: direct distribution

Lamps:

- Lamps: with LED
- Rated luminous flux: 14140lm
- Luminous efficacy: 168lm/W
- Colour temperature: 4000K
- Colour rendering index: CRI > 80
- Light colour: 840
- SDCM (Standard Deviation of Colour Matching): MacAdam ≤ 3 SDCM (initial)
- Rated input power: 84W
- Supplement: halogen-free wiring

Operating device:

- Control gear: ECG DALI
- Control: DALI 2

Certificates, Standards

- Protection rating: IP64
- Insulation class: insulation class I (protective earthing)
- Impact resistance: IK06
- Protection symbol: D if used in an environment with conductive dust loads with corresponding accessories
- Temperature range (operation): -25..+35°C
- Supplement: corresponds to IFS (International Featured Standards) requirements for safety and quality in the food industry, reducing of maximum allowable ambient temperature of 5°C with ceiling mounting, LABS conformity tested according to VDMA 24364:2018-05
- Certification, designation: CE, ENEC, VDE, UKCA

Material, Colour

- Licross® LED insert: sheet steel, galvanised, coil coated, white
- Colour specification: white
- Cover: cover of PMMA

Mounting

- Mounting method, mounting location: slip-in mounting, in the Licross® trunking rail
- Arrangement: single/continuous arrangement
- Supplement: only suitable for indoor use

Electrical connection

- Connection: plug, 5-pole, with phase selection
- Nominal voltage: 220..240V, 50/60Hz, AC

Dimensions, Weight

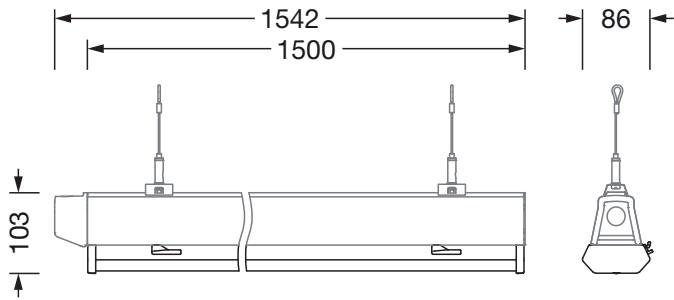
- Length: 1500mm
- Width: 90mm
- Height: 101mm
- Weight: 3.2kg

Service life

- Rated service life: 100000h (L85/B50) at AT = 25°C

Order No.: 51TP11DN4EXR | GTIN (EAN): 4058352210512

Dimensions: Lic11Pr,nrrw,14140lm840,DA2,IP64,L1500



Order No.: 51TP11DN4EXR | **GTIN (EAN):** 4058352210512

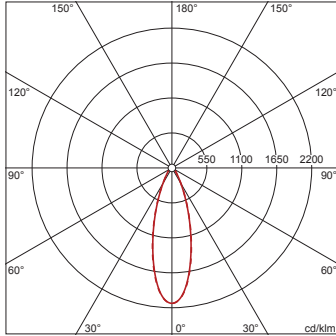
Planning data: Lic11Pr,nrrw,14140lm840,DA2,IP64,L1500

51TP11DN4EXR: 1x LED

4058352210512

51TP11DN4EXR

LED 4000 K | CRI ≥ 80 ϕ_N 14140 lm



ϕ_{\downarrow} 99% ϕ_{\uparrow} 1%

Luminance values (cd/m²)

	C 0/180	C 90/270
L ₈₀	5884	5681
L ₇₀	6996	7583
L ₆₅	7838	8540

UGR 20.4 19.3

X 4H Y 8H ρ 70/50/20 S 0.25H