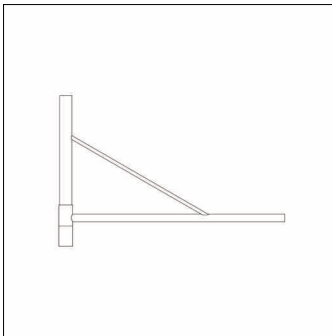


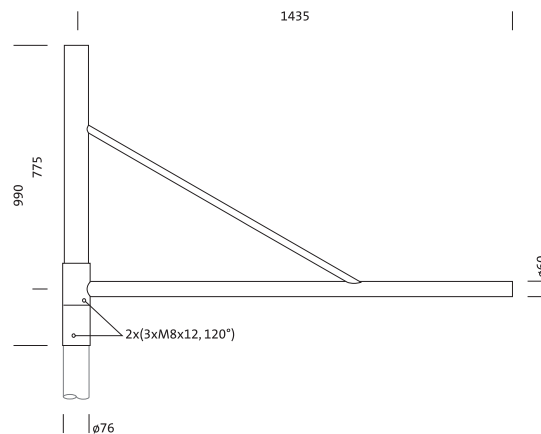
Order No.: 5NY24621XL08 | GTIN (EAN): 4039806213952

Product description: mastarmØ76,1 arm,L1435Ø60,galv,DB702S



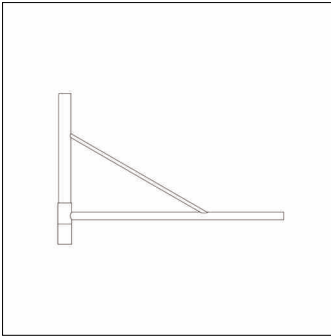
mast arm, arm, of steel, galvanised and coated, Siteco® metallic grey (DB 702S), 1-arm, support bracket long, spigot size: 76mm (post-top), bracket dimensions: 1.435mm, packaging unit: 1 piece

Wt. (kg): 15.6  
GTIN (EAN): 4039806213952



Order No.: 5NY24621XL08 | GTIN (EAN): 4039806213952

Detailed technical description: mastarmØ76,1arm,L1435Ø60,galv,DB702S



#### Key data

- Product type: mast arm
- Product name: without family assignment
- Order No.: 5NY24621XL08

#### Material, Colour

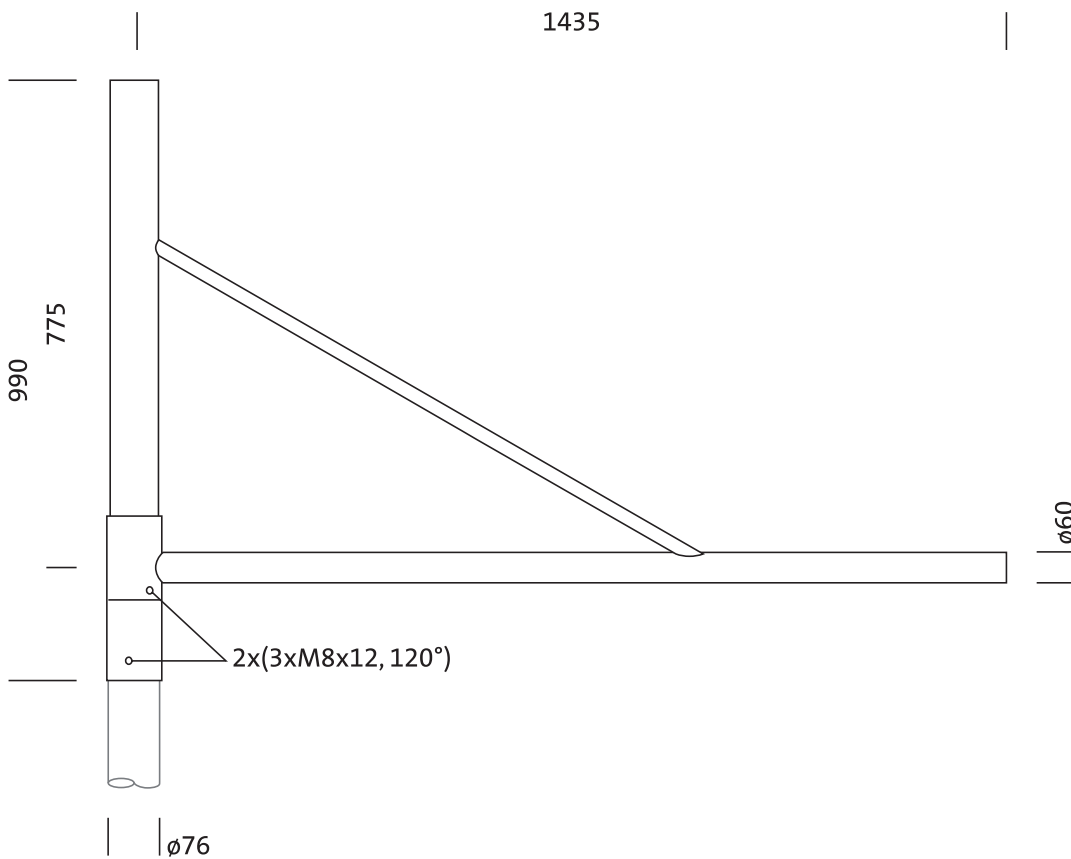
- arm: steel, galvanised and coated, Siteco® metallic grey (DB 702S), support bracket long
- Colour specification: Siteco® metallic grey (DB 702S)

#### Dimensions, Weight

- Weight: 15.6kg
- Mast spigot: spigot size: 76mm

Order No.: 5NY24621XL08 | GTIN (EAN): 4039806213952

Dimensions: mastarm $\varnothing$ 76,1arm,L1435 $\varnothing$ 60,galv,DB702S



It is mandatory that the assembly instructions must be observed when planning and installing the electrical installation (to be found at [www.siteco.de](http://www.siteco.de))

Tolerances related to thermal, electrical and photometric data according to IEC 62722

Issued 07.07.2023 - Modifications and errors subject to change - Ensure that you always use the latest version -