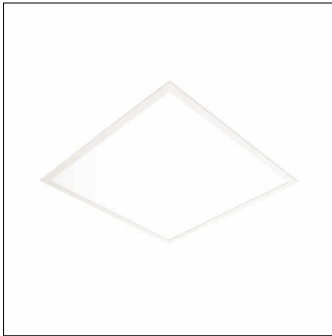


Order No.: 51MH11W724223 | **GTIN (EAN):** 4058352690406

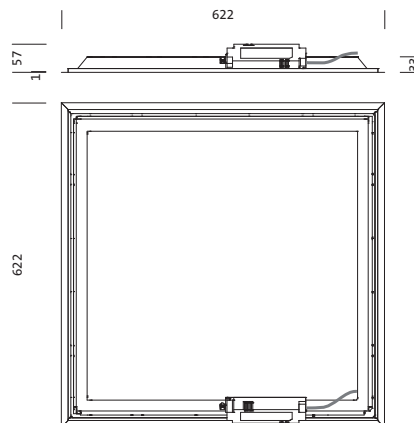
Product description: Apol41,M625,3700lm840,0/1,IP40,EL3h,1pc



Apollon® 41, office luminaire, primary optical cover: prismatic diffuser, of PS, light emission: direct distribution, primary light characteristic: symmetric, installation type: lay-in mounting, LED, rated luminous flux: 3.700lm, luminous efficacy: 105lm/W, light colour: 840, colour temperature: 4000K, control gear: ECG, with terminal, 3-pole, mains connection: 220..240V, AC, 50/60Hz, rated input power: 35W, housing, of aluminium section, traffic white (RAL 9016), module: M625, length: 620mm, width: 620mm, height: 32mm, housing upper side, of sheet steel, protection rating (complete): IP20, protection rating (lamp compartment, on room side): IP40, insulation class (complete): insulation class II (safety insulation), certification: CE, ENEC, permissible operating ambient temperature: -20..+40°C, packaging unit: 1 piece



Lamps:	LED
Wt. (kg):	2.1
GTIN (EAN):	4058352690406



It is mandatory that the assembly instructions must be observed when planning and installing the electrical installation (to be found at www.siteco.de)

Tolerances related to thermal, electrical and photometric data according to IEC 62722

Issued 02.02.2024 - Modifications and errors subject to change - Ensure that you always use the latest version -

Order No.: 51MH11W724223 | **GTIN (EAN):** 4058352690406

Detailed technical description: Apol41,M625,3700lm840,0/1,IP40,EL3h,1pc



Key data

- Product type: office luminaire
- Product name: Apollon® 41
- Order No.: 51MH11W724223

Lighting technology | Lamps | Control gear

Component 1

Lighting technology:

- Cover: prismatic diffuser
- Beam angle: wide distribution, 90°
- Symmetry: symmetric
- Light emission: direct distribution
- UGR viewing direction along longitudinal luminaire axis: ≤ 19
- UGR viewing direction along lateral luminaire axis: ≤ 19

Lamps:

- Lamps: with LED
- Rated luminous flux: 3700lm
- Luminous efficacy: 105lm/W
- Colour temperature: 4000K
- Colour rendering index: CRI > 80
- Light colour: 840
- SDCM (Standard Deviation of Colour Matching): MacAdam ≤ 4 SDCM (initial)
- Rated input power: 35W

Operating device:

- Nominal service life: 3h

Component 2

Certificates, Standards

- Protection rating: IP20
- Protection rating (lamp compartment, on room side): IP40
- Insulation class: insulation class II (safety insulation)
- Temperature range (operation): -20..+40°C
- Certification, designation: CE, ENEC

Material, Colour

- housing: aluminium section, traffic white (RAL 9016)
- Colour specification: traffic white (RAL 9016)
- housing upper side: sheet steel
- Cover: prismatic diffuser of PS

Mounting

- Mounting method, mounting location: lay-in mounting, in the ceiling
- Arrangement: single arrangement

Electrical connection

- Connection: terminal, 3-pole
- Nominal voltage: 220..240V, 50/60Hz, AC

Dimensions, Weight

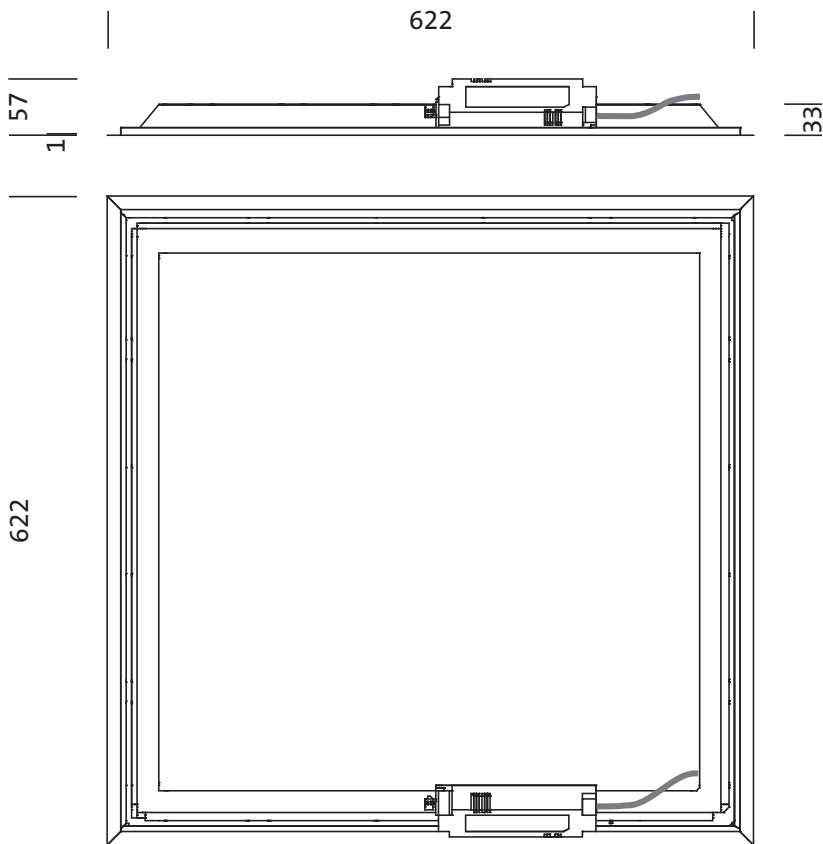
- Length: 620mm
- Width: 620mm
- Height: 32mm
- Weight: 2.1kg

Service life

- Rated service life: 50000h (L70/B50) at AT = 25°C

Order No.: 51MH11W724223 | GTIN (EAN): 4058352690406

Dimensions: Apol41,M625,3700lm840,0/1,IP40,EL3h,1pc



It is mandatory that the assembly instructions must be observed when planning and installing the electrical installation (to be found at www.siteco.de)
Tolerances related to thermal, electrical and photometric data according to IEC 62722
Issued 02.02.2024 - Modifications and errors subject to change - Ensure that you always use the latest version -