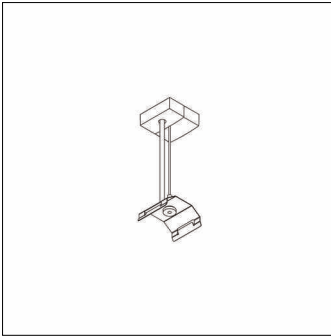


Order No.: 59MX30DH20S | **GTIN (EAN):** 4058352606025

Product description: Sil21,wiresusp.w.ceil.canopy,sr,angul

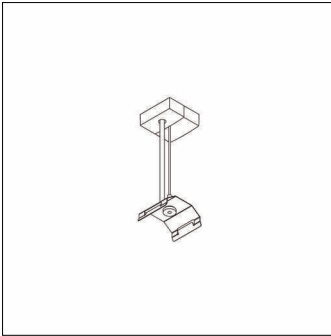


Silica® 21, wire suspension, connection cable, ceiling fixing element, of steel, galvanised, ceiling canopy, angular, of plastic, wire, of steel, galvanised, packaging unit: 1 piece

Wt. (kg): 0.3
GTIN (EAN): 4058352606025

Order No.: 59MX30DH20S | GTIN (EAN): 4058352606025

Detailed technical description: Sil21,wiresusp.w.ceil.canopy,sr,angul



Key data

- Product type: wire suspension
- Product name: Silica® 21
- Order No.: 59MX30DH20S

Lighting technology | Lamps | Control gear

Component 1

Lamps:

- Supplement: with strain relief

Material, Colour

- ceiling fixing element: steel, galvanised, silver
- wire: steel, galvanised, wire, Ø 1.2mm

Mounting

- Recommended suspension height: up to 1.2m

Dimensions, Weight

- Weight: 0.3kg