

Order No.: 59MX1CD000WA | GTIN (EAN): 4058352605943

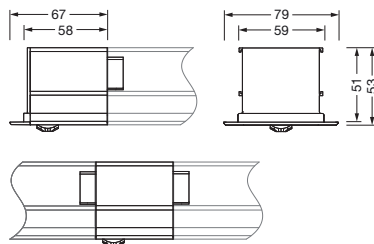
Product description: Sil21,SensMoPC3S,wired



Silica® 21sensor module PC3-S, slave, central control, dimmable, installation arrangement: single/continuous arrangement, installation type: slip-in mounting, installation location: to the luminaire, of extruded aluminium section, protection rating (complete): IP20, insulation class (complete): insulation class I (protective earthing), certification: CE, 1 x PIR movement sensor, 1 x light sensor, packaging unit: 1 piece

IP 20  

Wt. (kg): 0.2
GTIN (EAN): 4058352605943



It is mandatory that the assembly instructions must be observed when planning and installing the electrical installation (to be found at www.siteco.de)

Tolerances related to thermal, electrical and photometric data according to IEC 62722

Issued 05.01.2024 - Modifications and errors subject to change - Ensure that you always use the latest version -

Order No.: 59MX1CD000WA | **GTIN (EAN):** 4058352605943

Detailed technical description: Sil21,SensMoPC3S,wired

Key data

- System family: Siteco Connect 11, SITECO Connect 21B, SITECO Connect 21H, SITECO Connect 31 Office
- Product type: presence detector (slave)
- Product name: Silica® 21
- Order No.: 59MX1CD000WA

Lighting technology | Lamps | Control gear

Component 1

Operating device:

- Control: DALI 2, dimmable

Certificates, Standards

- Protection rating: IP20
- Insulation class: insulation class I (protective earthing)
- Temperature range (operation): 0..+40°C
- Certification, designation: CE

Material, Colour

- housing: extruded aluminium section, anodised, traffic white (RAL 9016), for luminaires with darklight reflector
- Colour specification: traffic white (RAL 9016)

Mounting

- Mounting method, mounting location: slip-in mounting, to the luminaire
- Mounting height: 2.5..5m
- Arrangement: single/continuous arrangement
- Supplement: for recessed luminaires

Dimensions, Weight

- Length: 55mm
- Width: 53mm
- Height: 54mm
- Weight: 0.2kg

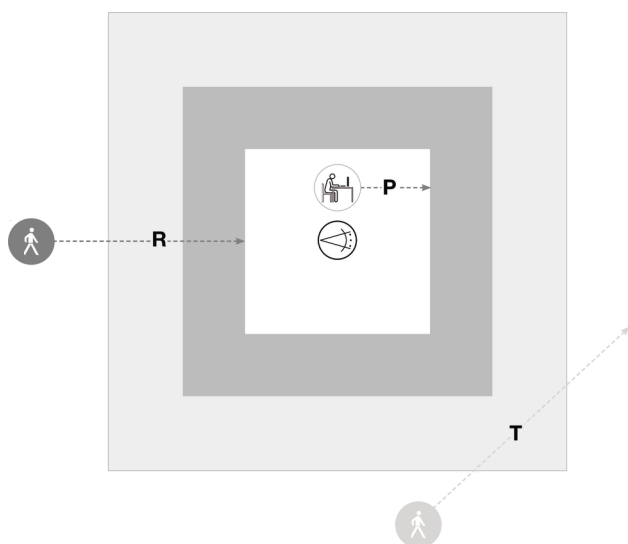
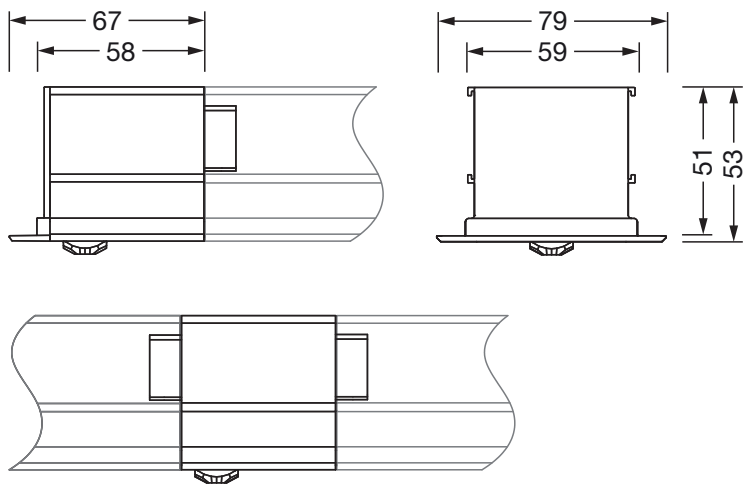
Inputs

1x PIR movement sensor

- Connection: PIR sensor (passive-infrared)

Order No.: 59MX1CD000WA | GTIN (EAN): 4058352605943

Dimensions: Sil21, SensMoPC3S, wired



Sensor PS3

Mh	R	T	P
2,8m	4x4m	ca. 4x5m	ca. 2x2m

It is mandatory that the assembly instructions must be observed when planning and installing the electrical installation (to be found at www.siteco.de)
 Tolerances related to thermal, electrical and photometric data according to IEC 62722
 Issued 05.01.2024 - Modifications and errors subject to change - Ensure that you always use the latest version -