

Order No.: 51HP327A4HMA | **GTIN (EAN):** 4058352475621

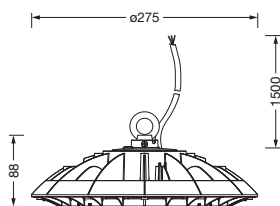
Product description: HB42S,rot.sym,wd,90°,19200lm840,0/1



Highbay 42-S, LED high bay luminaire, primary light control with lens, of PC, primary optical cover: cover panel, of PC, transparent, light emission: direct distribution, primary light characteristic: rotationally symmetric, installation type: suspended mounting, surface-mounted, LED, rated luminous flux: 19.200lm, luminous efficacy: 160lm/W, light colour: 840, colour temperature: 4000K, control gear: ECG, with cable, 3x 1.0mm², free wire ends, mains connection: 230V, AC, 50Hz, cable length: 1,5m, rated input power: 120W, housing, rotationally symmetric, of diecast aluminium, black, with hook on luminaire side, diameter: 275mm, height: 117mm, protection rating (complete): IP65, insulation class (complete): insulation class I (protective earthing), certification: CE, UKCA, protection symbol: D, impact resistance: IK08, permissible operating ambient temperature: -20..+40°C, corresponds to IFS (International Featured Standards) requirements for safety and quality in the food industry, packaging unit: 1 piece

IP 65 IK 08  

Lamps:	LED
Wt. (kg):	1.8
GTIN (EAN):	4058352475621



Order No.: 51HP327A4HMA | **GTIN (EAN):** 4058352475621

Detailed technical description: HB42S,rot.sym,wd,90°,19200lm840,0/1



Key data

- Product type: LED high bay luminaire
- Product name: Highbay 42-S
- Order No.: 51HP327A4HMA

Lighting technology | Lamps | Control gear

Component 1

Lighting technology:

- Light control: lens of PC
- Cover: cover panel, transparent
- Beam angle: wide distribution, 90°
- Symmetry: rotationally symmetric
- Light emission: direct distribution
- UGR viewing direction along longitudinal luminaire axis: ≥ 25
- UGR viewing direction along lateral luminaire axis: ≥ 25

Lamps:

- Lamps: with LED
- Rated luminous flux: 19200lm
- Luminous efficacy: 160lm/W
- Colour temperature: 4000K
- Colour rendering index: CRI > 80
- Light colour: 840
- SDCM (Standard Deviation of Colour Matching): MacAdam ≤ 6 SDCM (initial)
- Rated input power: 120W

Operating device:

- Control gear: ECG
- Control: ON/OFF

Certificates, Standards

- Protection rating: IP65
- Insulation class: insulation class I (protective earthing)
- Impact resistance: IK08
- Protection symbol: D
- Temperature range (operation): -20..+40°C
- Supplement: corresponds to IFS (International Featured Standards) requirements for safety and quality in the food industry
- Certification, designation: CE, UKCA

Material, Colour

- housing: diecast aluminium, black, rotationally symmetric, with hook on luminaire side
- Quantity: 1 piece
- Colour specification: black
- Cover: cover panel of PC

Mounting

- Mounting method, mounting location: suspended mounting, surface-mounted, to the ceiling, to the chain
- Arrangement: single arrangement
- Supplement: only suitable for indoor use, mounting accessories required, please order separately

Electrical connection

- Connection: cable, 3x 1.0mm², free wire ends
- Nominal voltage: 230V, 50Hz, AC

Dimensions, Weight

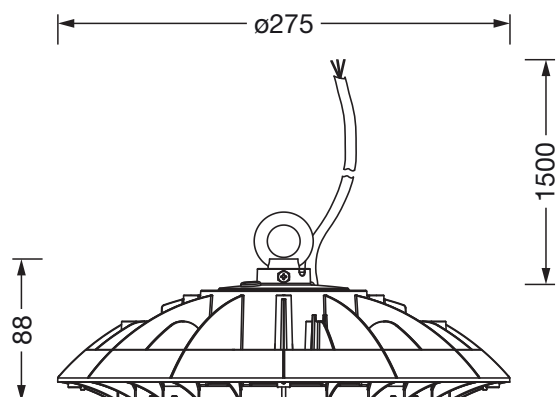
- Diameter: 275mm
- Height: 117mm
- Weight: 1.8kg

Service life

- Rated service life: 50000h (L80/B50) at AT = 25°C

Order No.: 51HP327A4HMA | GTIN (EAN): 4058352475621

Dimensions: HB42S,rot.sym,wd,90°,19200lm840,0/1



It is mandatory that the assembly instructions must be observed when planning and installing the electrical installation (to be found at www.siteco.de)

Tolerances related to thermal, electrical and photometric data according to IEC 62722

Issued 27.10.2023 - Modifications and errors subject to change - Ensure that you always use the latest version -