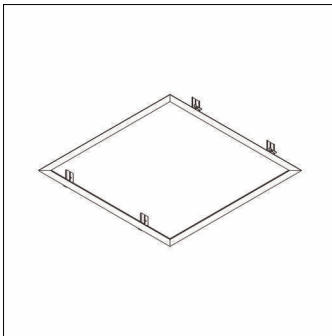


Order No.: 59MQ11005021 | GTIN (EAN): 4058352465325

Product description: Apollon-,f.lum.M625

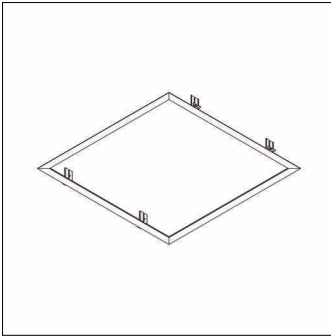


Apollon®, ceiling recessing frame, installation type: recessed, mounting frame, of sheet steel, white, length: 663mm, width: 663mm, packaging unit: 1 piece

Wt. (kg): 0.7
GTIN (EAN): 4058352465325

Order No.: 59MQ11005021 | GTIN (EAN): 4058352465325

Detailed technical description: Apol-,f.lum.M625



Key data

- Product type: ceiling recessing frame
- Product name: Apollon®
- Order No.: 59MQ11005021

Material, Colour

- mounting frame: sheet steel, white
- Colour specification: white

Mounting

- Mounting method, mounting location: recessed, in the ceiling
- Supplement: for luminaire M625

Dimensions, Weight

- Length: 663mm
- Width: 663mm
- Weight: 0.7kg