

Order No.: 51FG20DP440B | **GTIN (EAN):** 4058352520376

Product description: Mon21pa,diff,4810lm840,DA2,PC



Monsun® 21 parking, damp-proof luminaire, chain hanger, primary optical cover: enclosure, of PC, light emission: direct distribution, primary light characteristic: symmetric, installation type: suspended mounting, surface-mounted, horizontal mounting, vertical mounting, LED, rated luminous flux: 4.810lm, luminous efficacy: 140lm/W, light colour: 840, colour temperature: 4000K, control gear: ECG DALI, with terminal, 5-pole, max. 2.5mm², mains connection: 220..240V, AC, 50/60Hz, rated input power: 34W, housing, of glass-fibre reinforced polyester, uncoated, bright grey, incl. chain hanger, length: 1.590mm, width: 90mm, height: 88mm, clip for enclosure, of stainless steel (V2A), ceiling mounting element, of stainless steel (V2A), chain hanger, of stainless steel (V2A), protection rating (complete): IP66, insulation class (complete): insulation class I (protective earthing), certification: CE, ENEC, VDE, UKCA, protection symbol: D, impact resistance: IK08, permissible operating ambient temperature: -25..+35°C, standard: EN 50419, EN 60598-2-1, corresponds to IFS (International Featured Standards) requirements for safety and quality in the food industry, for indoor or canopied outdoor use, no direct snow, no direct sun, no direct rain, contact your sales advisor before using the luminaires in applications with unclear chemical exposure, large temperature fluctuations or condensation-forming humidity, LABS conformity tested according to VDMA 24364:2018-05, packaging unit: 1 piece



Lamps: LED
 Wt. (kg): 2.5
 GTIN (EAN): 4058352520376



It is mandatory that the assembly instructions must be observed when planning and installing the electrical installation (to be found at www.siteco.de)
 Tolerances related to thermal, electrical and photometric data according to IEC 62722
 Issued 10.11.2023 - Modifications and errors subject to change - Ensure that you always use the latest version -

Order No.: 51FG20DP440B | **GTIN (EAN):** 4058352520376

Detailed technical description: Mon21pa,diff,4810lm840,DA2,PC



Key data

- Product type: damp-proof luminaire
- Product name: Monsun® 21 parking
- Order No.: 51FG20DP440B

Lighting technology | Lamps | Control gear

Component 1

Lighting technology:

- Cover: enclosure
- Beam angle: diffuse distribution
- Symmetry: symmetric
- Light emission: direct distribution

Lamps:

- Lamps: with LED
- Rated luminous flux: 4810lm
- Luminous efficacy: 140lm/W
- Colour temperature: 4000K
- Colour rendering index: CRI > 80
- Light colour: 840
- SDCM (Standard Deviation of Colour Matching): MacAdam ≤ 3 SDCM (initial)
- Rated input power: 34W
- Supplement: halogen-free wiring, without flicker

Operating device:

- Control gear: ECG DALI
- Control: DALI 2

Certificates, Standards

- Protection rating: IP66
- Insulation class: insulation class I (protective earthing)
- Impact resistance: IK08
- Protection symbol: D
- Temperature range (operation): -25..+35°C
- Supplement: corresponds to IFS (International Featured Standards) requirements for safety and quality in the food industry, for indoor or canopied outdoor use, no direct snow, no direct sun, no direct rain, LABS conformity tested according to VDMA 24364:2018-05, contact your sales advisor before using the luminaires in applications with unclear chemical exposure, large temperature fluctuations or condensation-forming humidity
- Standard: EN 50419, EN 60598-2-1
- Certification, designation: CE, ENEC, VDE, UKCA

Material, Colour

- housing: glass-fibre reinforced polyester, uncoated, bright grey, incl. chain hanger
- Colour specification: bright grey
- clip for enclosure: stainless steel (V2A)
- Quantity: 10 piece
- ceiling mounting element: stainless steel (V2A), ceiling mounting included
- Quantity: 2 piece
- chain hanger: stainless steel (V2A)
- Quantity: 2 piece
- Cover: enclosure of PC

Mounting

- Mounting method, mounting location: suspended mounting, surface-mounted, horizontal mounting, vertical mounting, to the ceiling, to the wall, to the Licross® mounting rail
- Mounting height: 2..3m
- Arrangement: single/continuous arrangement
- Supplement: luminaire includes fixing accessories for ceiling surface mounting; for other types of installation: please order mounting accessories separately

Order No.: 51FG20DP440B | GTIN (EAN): 4058352520376

Detailed technical description: Mon21pa,diff,4810lm840,DA2,PC



Electrical connection

- Connection: terminal, 5-pole, max. 2.5mm²
- Nominal voltage: 220..240V, 50/60Hz, AC

Dimensions, Weight

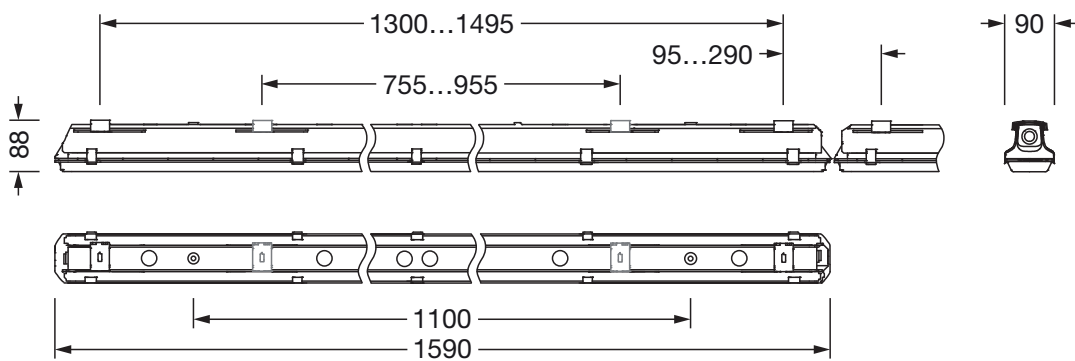
- Length: 1590mm
- Width: 90mm
- Height: 88mm
- Weight: 2.5kg

Service life

- Rated service life: 50000h (L85/B50) at AT = 35°C

Order No.: 51FG20DP440B | GTIN (EAN): 4058352520376

Dimensions: Mon21pa,diff,4810lm840,DA2,PC



It is mandatory that the assembly instructions must be observed when planning and installing the electrical installation (to be found at www.siteco.de)
Tolerances related to thermal, electrical and photometric data according to IEC 62722
Issued 10.11.2023 - Modifications and errors subject to change - Ensure that you always use the latest version -