

Order No.: 51FB10DP437B3H | **GTIN (EAN):** 4058352519936

Product description: Mon21 em,diff,3860lm840,DA2EL3h,PMMA



Monsun® 21 emergency, damp-proof luminaire, chain hanger, primary optical cover: enclosure, of PMMA, light emission: direct distribution, primary light characteristic: symmetric, installation type: vertical mounting, horizontal mounting, surface-mounted, suspended mounting, LED, rated luminous flux: 3.860lm, luminous efficacy: 140lm/W, light colour: 840, colour temperature: 4000K, control gear: ECG DALI, with terminal, 5+3-pole, max. 2.5mm², mains connection: 220..240V, AC, 50/60Hz, rated input power: 28W, control gear: single battery element, battery: NiCd, 4,5Ah, mains connection: 230V, housing, of glass-fibre reinforced polyester, uncoated, bright grey, incl. chain hanger, length: 1.590mm, width: 90mm, height: 88mm, clip for enclosure, of stainless steel (V2A), ceiling mounting element, of stainless steel (V2A), chain hanger, of stainless steel (V2A), protection rating (complete): IP66, insulation class (complete): insulation class I (protective earthing), certification: CE, UKCA, protection symbol: D, impact resistance: IK04, permissible operating ambient temperature: +5..+25°C, standard: EN 60598-2-1, EN 50419, EN 60598-2-22, corresponds to IFS (International Featured Standards) requirements for safety and quality in the food industry, for indoor or canopied outdoor use, no direct snow, no direct sun, no direct rain, contact your sales advisor before using the luminaires in applications with unclear chemical exposure, large temperature fluctuations or condensation-forming humidity, LABS conformity tested according to VDMA 24364:2018-05, packaging unit: 1 piece

▽ IP 66 ⊕ CE

Lamps: LED
 Wt. (kg): 3.3
 GTIN (EAN): 4058352519936



Order No.: 51FB10DP437B3H | **GTIN (EAN):** 4058352519936

Detailed technical description: Mon21em,diff,3860lm840,DA2EL3h,PMMA



Key data

- Product type: damp-proof luminaire
- Product name: Monsun® 21 emergency
- Order No.: 51FB10DP437B3H

Lighting technology | Lamps | Control gear

Component 1

Lighting technology:

- Cover: enclosure
- Beam angle: diffuse distribution
- Symmetry: symmetric
- Light emission: direct distribution

Lamps:

- Supplement: with central self-test function according to 60598-2-22 via DALI

Operating device:

- Control gear: single battery element
- Battery: NiCd
- Nominal service life: 3h

Component 2

Certificates, Standards

- Protection rating: IP66
- Insulation class: insulation class I (protective earthing)
- Impact resistance: IK04
- Protection symbol: D
- Temperature range (operation): +5..+25°C
- Supplement: corresponds to IFS (International Featured Standards) requirements for safety and quality in the food industry, for indoor or canopied outdoor use, no direct snow, no direct sun, no direct rain, LABS conformity tested according to VDMA 24364:2018-05, contact your sales advisor before using the luminaires in applications with unclear chemical exposure, large temperature fluctuations or condensation-forming humidity
- Standard: EN 50419, EN 60598-2-1, EN 60598-2-22
- Certification, designation: CE, UKCA

Material, Colour

- housing: glass-fibre reinforced polyester, uncoated, bright grey, incl. chain hanger
- Colour specification: bright grey
- clip for enclosure: stainless steel (V2A)
- Quantity: 10 piece
- ceiling mounting element: stainless steel (V2A), ceiling mounting included
- Quantity: 2 piece
- chain hanger: stainless steel (V2A)
- Quantity: 2 piece
- Cover: enclosure of PMMA

Mounting

- Mounting method, mounting location: suspended mounting, surface-mounted, horizontal mounting, vertical mounting, to the ceiling, to the wall, to the Licross® mounting rail
- Arrangement: single/continuous arrangement
- Supplement: luminaire includes fixing accessories for ceiling surface mounting; for other types of installation: please order mounting accessories separately

Electrical connection

- Connection: terminal, 5+3-pole, max. 2.5mm²
- Nominal voltage: 220..240V, 50/60Hz, AC

Dimensions, Weight

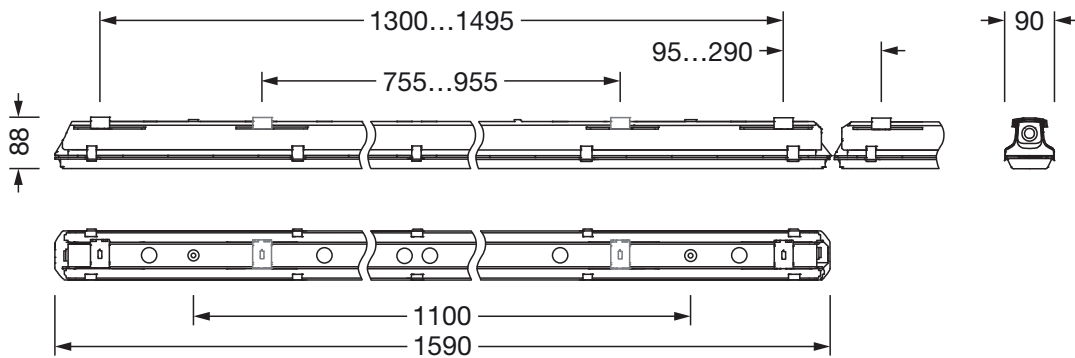
- Length: 1590mm
- Width: 90mm
- Height: 88mm
- Weight: 3.3kg

Service life

- Rated service life: 50000h (L85/B50) at AT = 35°C

Order No.: 51FB10DP437B3H | GTIN (EAN): 4058352519936

Dimensions: Mon21em,diff,3860lm840,DA2EL3h,PMMA



It is mandatory that the assembly instructions must be observed when planning and installing the electrical installation (to be found at www.siteco.de)
Tolerances related to thermal, electrical and photometric data according to IEC 62722
Issued 10.11.2023 - Modifications and errors subject to change - Ensure that you always use the latest version -