

Order No.: 5MZ312LEDZM00192XX | **GTIN (EAN):** 4058352535035

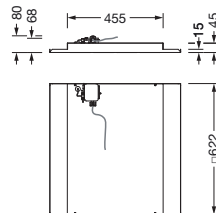
Product description: Scri11,LED6400lm8tw,DT8,L621,li



Scriptus® 11, office luminaire, primary optical cover: lenses, CAT 2 ($L \leq 3000 \text{cd/m}^2$), light emission: direct distribution, primary light characteristic: symmetric, installation type: lay-in mounting, LED, rated luminous flux: 6.400lm, light colour: 8tw, colour temperature: 3000..6500K, with terminal, 3+2-pole, max. 2.5mm², mains connection: 230V, AC, 50Hz, housing, of sheet steel, galvanised, traffic white (RAL 9016), module: M625, length: 621mm, width: 621mm, height: 68mm, protection rating (complete): IP20, insulation class (complete): insulation class I (protective earthing), certification: CE, impact resistance: IK02, permissible operating ambient temperature: 0..+35°C, standard: EN 50419, packaging unit: 1 piece

IP 20  

Lamps:	LED
Wt. (kg):	8.0
GTIN (EAN):	4058352535035



Order No.: 5MZ312LEDZM00192XX | **GTIN (EAN):** 4058352535035

Detailed technical description: Scri11,LED6400lm8tw,DT8,L621,li



Key data

- Product type: office luminaire
- Product name: Scriptus® 11
- Order No.: 5MZ312LEDZM00192XX

Lighting technology | Lamps | Control gear

Component 1

Lighting technology:

- Cover: lenses
- Symmetry: symmetric
- Light emission: direct distribution
- UGR viewing direction along longitudinal luminaire axis: ≤ 19
- UGR viewing direction along lateral luminaire axis: ≤ 19

Lamps:

- Lamps: with LED
- Rated luminous flux: 6400lm
- Colour temperature: 3000..6500K
- Colour rendering index: CRI > 80
- Light colour: 8tw
- SDCM (Standard Deviation of Colour Matching): MacAdam ≤ 3 SDCM (initial)

Operating device:

- Control: DALI DT8

Certificates, Standards

- Protection rating: IP20
- Insulation class: insulation class I (protective earthing)
- Impact resistance: IK02
- Temperature range (operation): 0..+35°C
- Standard: EN 50419
- Certification, designation: CE

Material, Colour

- housing: sheet steel, galvanised, traffic white (RAL 9016)
- Colour specification: traffic white (RAL 9016)
- Cover: lenses

Mounting

- Mounting method, mounting location: lay-in mounting, in the ceiling
- Arrangement: single arrangement

Electrical connection

- Connection: terminal, 3+2-pole, max. 2.5mm²
- Nominal voltage: 230V, 230..240V, 50Hz, AC

Dimensions, Weight

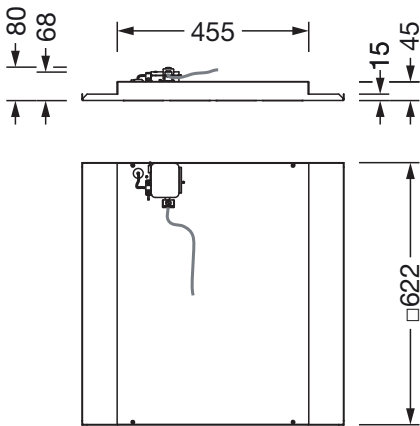
- Length: 621mm
- Width: 621mm
- Height: 68mm
- Weight: 8.0kg

Service life

- Rated service life: 50000h at AT = 25°C

Order No.: 5MZ312LEDZM00192XX | GTIN (EAN): 4058352535035

Dimensions: Scri11,LED6400lm8tw,DT8,L621,li



It is mandatory that the assembly instructions must be observed when planning and installing the electrical installation (to be found at www.siteco.de)
Tolerances related to thermal, electrical and photometric data according to IEC 62722
Issued 21.10.2023 - Modifications and errors subject to change - Ensure that you always use the latest version -