

Order No.: 5XA7783F2A1A | GTIN (EAN): 4058352855102

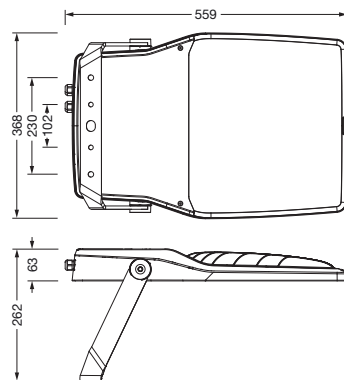
Product description: FL21md,A430002,38270lm730,ML,bracket



Floodlight FL 21 midi, floodlight, primary light control with lens, of PMMA, primary optical cover: protective disc, of toughened safety glass, transparent, light distribution: A430002, light emission: direct distribution, installation type: surface-mounted, lamps: LED, rated values: 38.270lm | 286,6W | 133,5lm/W, colour temperature: 3000K, colour rendering: CRI > 70, light colour: 730, light setting 1 (further light settings possible): 100% | 38.270lm | 286,6W | 133,5lm/W | 3.000K control gear: ON/OFF Multilumen, control: pre-setting: linear dimming characteristic, Temp-Guard, mains connection: 220..240V, AC, 50/60Hz, surge voltage resistance: 10kV 1.2/50µs, electrical connection: terminal, 6-pole, max. 2.5mm², solid wire, fine wire, luminaire housing, of diecast aluminium, powder-coated, SITECO metallic grey (DB 702S), corrosivity category C5 mid according to DIN EN ISO 12944, chlorine-resistant, suitable for swimming pools, sealing non-destructively replaceable, mounting bracket, of steel, galvanised, powder-coated, SITECO metallic grey (DB 702S), ON/OFF, protection rating (complete): IP66, insulation class (complete): insulation class II (safety insulation), certification: CE, ENEC, VDE, protection symbol: D, ball protection: ball impact resistant, impact resistance: IK08, permissible operating ambient temperature: -40..+40°C, permissible operating ambient temperature for outdoor applications: -40..+50°C, standard: DIN EN 12944, LABS conformity tested according to VDMA 24364:2018-05, packaging unit: 1 piece



Lamps:	LED
Wt. (kg):	13.5
GTIN (EAN):	4058352855102



It is mandatory that the assembly instructions must be observed when planning and installing the electrical installation (to be found at www.siteco.de)

Tolerances related to thermal, electrical and photometric data according to IEC 62722

Issued 14.03.2026 - Modifications and errors subject to change - Ensure that you always use the latest version -

Order No.: 5XA7783F2A1A | GTIN (EAN): 4058352855102

Detailed technical description: FL21md,A430002,38270lm730,ML,bracket



Key data

- Product type: floodlight
- Product name: Floodlight FL 21 midi
- Order No.: 5XA7783F2A1A

Lighting technology | Lamps | Control gear

Component 1

Lighting technology:

- Light control: lens of PMMA
- Cover: protective disc, transparent
- Light distribution: A430002
- Light emission: direct distribution

Lamps:

- Lamps: with LED
- Rated values: 38270lm | 286.6W | 133.5lm/W
- Colour temperature: 3000K
- Colour rendering index: CRI > 70
- Light colour: 730
- Supplement: prepared for through-wiring, luminous flux adjustable on luminaire in eight steps

Factory light settings (LS):

- LS 1: 100% | 38270lm | 286.6W | 133.5lm/W | 3000K
- further light settings possible

Operating device:

- Control: ON/OFF Multilumen
- Equipment: Temp-Guard, pre-setting: linear dimming characteristic

Certificates, Standards

- Protection rating: IP66
- Insulation class: insulation class II (safety insulation)
- Impact resistance: IK08
- Protection symbol: D
- Temperature range (operation): -40..+40°C
- Supplement: LABS conformity tested according to VDMA 24364:2018-05
- Standard: DIN EN 12944
- Corrosion protection: corrosivity category C5 mid according to DIN EN ISO 12944, suitable for swimming pools, chlorine-resistant
- Certification, designation: CE, ENEC, VDE

Material, Colour

- luminaire housing: diecast aluminium, powder-coated, SITECO metallic grey (DB 702S), sealing non-destructively replaceable
- mounting bracket: steel, galvanised, powder-coated, SITECO metallic grey (DB 702S)
- Cover: protective disc of toughened safety glass

Mounting

- Mounting method, mounting location: surface-mounted, to supporting structure, to the cross arm
- Arrangement: single arrangement
- Supplement: with mounting bracket

Electrical connection

- Connection: terminal, 6-pole, max. 2.5mm², solid wire, fine wire
- Nominal voltage: 220..240V, 50/60Hz, AC
- Surge voltage resistance: 10kV 1.2/50µs

Dimensions, Weight

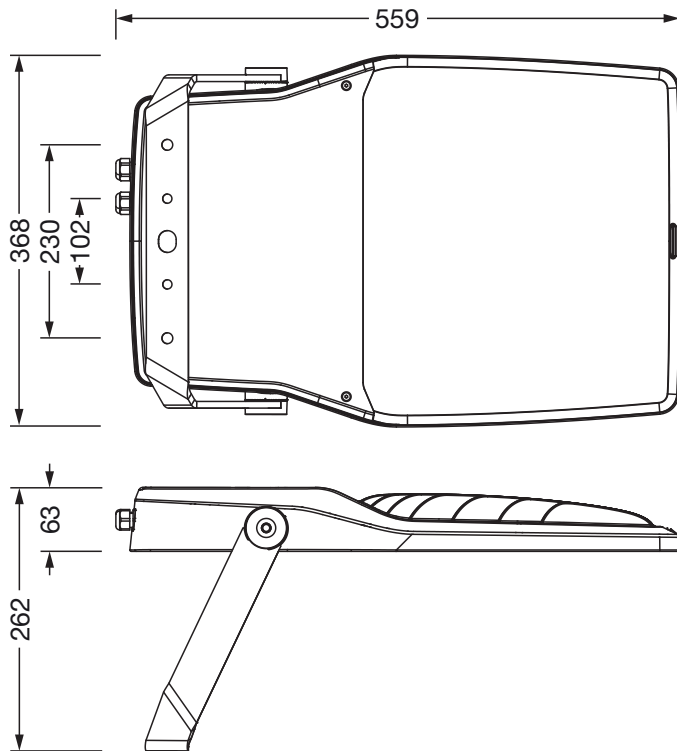
- Weight: 13.5kg

Service life

- Rated service life: 100000h (L94/B10) at AT = 25°C

Order No.: 5XA7783F2A1A | GTIN (EAN): 4058352855102

Dimensions: FL21md,A430002,38270lm730,ML,bracket



It is mandatory that the assembly instructions must be observed when planning and installing the electrical installation (to be found at www.siteco.de)
Tolerances related to thermal, electrical and photometric data according to IEC 62722
Issued 14.03.2026 - Modifications and errors subject to change - Ensure that you always use the latest version -