

**Order No.:** 5XA7782F2F3A | **GTIN (EAN):** 4058352854495

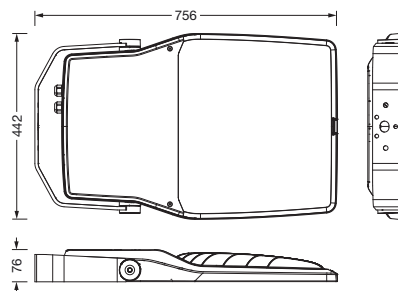
**Product description:** FL21iQmd,A330005,35350lm730,SR/DA,mastbr



Floodlight FL 21 iQ midi, floodlight, primary light control with lens, of PMMA, primary optical cover: protective disc, of toughened safety glass, transparent, light distribution: A330005, light emission: direct distribution, installation type: surface-mounted, lamps: LED, rated values: 35.350lm | 270,2W | 130,8lm/W (begin service life); end service life: 35.350lm | 286,6W; at 50% lumin. flux: 17.675lm | 117,4W | 150,6lm/W, colour temperature: 3000K, colour rendering: CRI > 70, light colour: 730, light setting 1 (further light settings possible): 100% | 35.350lm | 270,2W | 130,8lm/W | 3.000K (begin service life); end service life: 286,6W, control gear: iQ Street-Remote/DALI, control: optimised constant luminous flux control (CLO 2.0), Desk-Remote (wireless, voltage-free reading and setting of iQ features in the workshop via application-optimized NFC function/RFID function), Smart-Wire, Night-Set, Temp-Guard, Auto-Match, Street-Remote, pre-setting: linear dimming characteristic, mains connection: 220..240V, AC, 50/60Hz, surge voltage resistance: surge voltage resistance: 10kV (common mode); 6kV (differential mode), electrical connection: terminal, 6-pole, max. 2.5mm<sup>2</sup>, solid wire, fine wire, luminaire housing, of diecast aluminium, powder-coated, SITECO metallic grey (DB 702S), corrosivity category C5 mid according to DIN EN ISO 12944, suitable for swimming pools, chlorine-resistant, sealing non-destructively replaceable, please order mast flange separately, mast bracket, of steel, galvanised, powder-coated, SITECO metallic grey (DB 702S), protection rating (complete): IP66, insulation class (complete): insulation class II (safety insulation), certification: CE, ENEC, VDE, protection symbol: D, impact resistance: IK08, permissible operating ambient temperature: -40..+40°C, permissible operating ambient temperature for outdoor applications: -40..+50°C, standard: DIN EN 12944, LABS conformity tested according to VDMA 24364:2018-05, packaging unit: 1 piece



Lamps: LED  
 Wt. (kg): 13.5  
 GTIN (EAN): 4058352854495



Order No.: 5XA7782F2F3A | GTIN (EAN): 4058352854495

Detailed technical description: FL21iQmd,A330005,35350lm730,SR/DA,mastbr



### Key data

- Product type: floodlight
- Product name: Floodlight FL 21 iQ midi
- Order No.: 5XA7782F2F3A

### Lighting technology | Lamps | Control gear

#### Component 1

#### Lighting technology:

- Light control: lens of PMMA
- Cover: protective disc, transparent
- Light distribution: A330005
- Light emission: direct distribution

#### Lamps:

- Lamps: with LED
- Rated values: 35350lm | 270.2W | 130.8lm/W (begin service life); end service life: 35350lm | 286.6W; at 50% lumin. flux: 17675lm | 117.4W | 150.6lm/W
- Colour temperature: 3000K
- Colour rendering index: CRI > 70
- Light colour: 730
- Supplement: prepared for through-wiring

#### Factory light settings (LS):

- begin service life:  
LS 1: 100% | 35350lm | 270.2W | 130.8lm/W | 3000K
- end service life:  
LS 1: 286.6W
- further light settings possible

#### Operating device:

- Control: iQ Street-Remote/DALI
- Equipment: optimised constant luminous flux control (CLO 2.0), Desk-Remote (wireless, voltage-free reading and setting of iQ features in the workshop via application-optimized NFC function/RFID function), Smart-Wire, Night-Set, Temp-Guard, Auto-Match, Street-Remote, pre-setting: linear dimming characteristic

### Certificates, Standards

- Protection rating: IP66
- Insulation class: insulation class II (safety insulation)
- Impact resistance: IK08
- Protection symbol: D
- Temperature range (operation): -40..+40°C
- Supplement: LABS conformity tested according to VDMA 24364:2018-05
- Standard: DIN EN 12944
- Corrosion protection: corrosivity category C5 mid according to DIN EN ISO 12944, suitable for swimming pools, chlorine-resistant
- Certification, designation: CE, ENEC, VDE

### Material, Colour

- luminaire housing: diecast aluminium, powder-coated, SITECO metallic grey (DB 702S), sealing non-destructively replaceable, please order mast flange separately
- mast bracket: steel, galvanised, powder-coated, SITECO metallic grey (DB 702S)
- Cover: protective disc of toughened safety glass

### Mounting

- Mounting method, mounting location: surface-mounted, to mast
- Arrangement: single arrangement
- Supplement: with mounting bracket

### Electrical connection

- Connection: terminal, 6-pole, max. 2.5mm<sup>2</sup>, solid wire, fine wire
- Nominal voltage: 220..240V, 50/60Hz, AC
- Surge voltage resistance: surge voltage resistance: 10kV (common mode); 6kV (differential mode)

### Dimensions, Weight

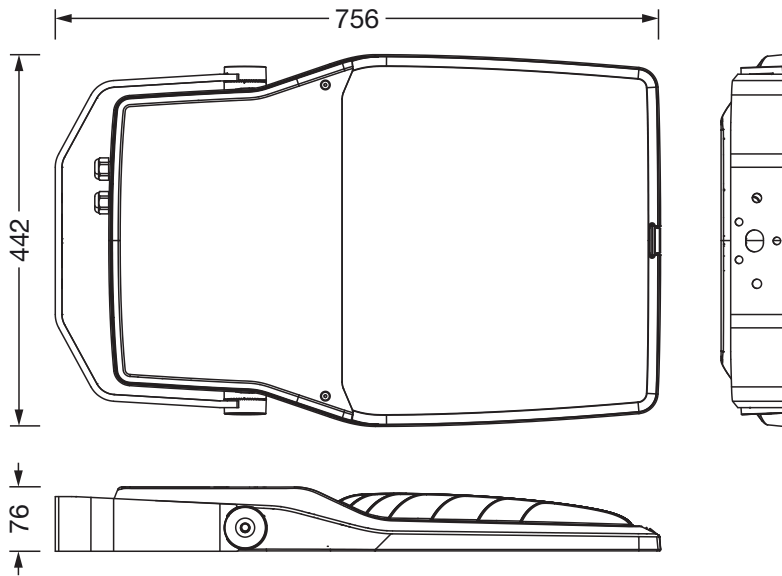
- Weight: 13.5kg

### Service life

- Rated service life: 100000h (L94/B10) at AT = 25°C

Order No.: 5XA7782F2F3A | GTIN (EAN): 4058352854495

Dimensions: FL21iQmd,A330005,35350lm730,SR/DA,mastbr



It is mandatory that the assembly instructions must be observed when planning and installing the electrical installation (to be found at [www.siteco.de](http://www.siteco.de))  
Tolerances related to thermal, electrical and photometric data according to IEC 62722  
Issued 26.02.2026 - Modifications and errors subject to change - Ensure that you always use the latest version -