

Order No.: 5LZ935202A | GTIN (EAN): 4058352838105

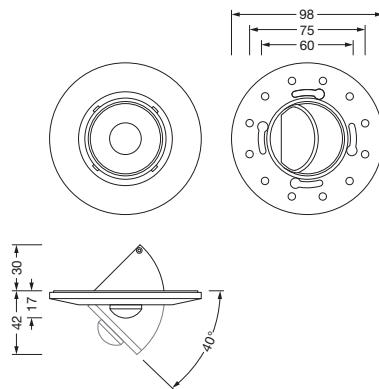
Product description: SCon,PC4,lokCtrl,PIR-sens



SITECO Connectsensor PC4, local control, installation type: recessed, installation location: in the luminaire, of plastic, protection rating (complete): IP20, insulation class (complete): insulation class II (safety insulation), certification: CE, 1 x PIR movement sensor, 1 x light sensor, 1 x LED red/green, packaging unit: 1 piece

IP 20  

Wt. (kg): 0.1  
GTIN (EAN): 4058352838105



Order No.: 5LZ935202A | GTIN (EAN): 4058352838105

Detailed technical description: SCon,PC4,IokCtrl,PIR-sens



#### Key data

- System family: SITECO Connect 31 Office
- Product type: lighting management components
- Product name: SITECO Connect
- Order No.: 5LZ935202A

#### Certificates, Standards

- Protection rating: IP20
- Insulation class: insulation class II (safety insulation)
- Temperature range (operation): -10..+40°C
- Certification, designation: CE

#### Material, Colour

- housing: plastic, matt pure white (RAL 9010)
- Colour specification: matt pure white (RAL 9010)

#### Mounting

- Mounting method, mounting location: recessed, in the luminaire
- Mounting height: 2..5m
- Supplement: only suitable for indoor use

#### Dimensions, Weight

- Length: 86mm
- Width: 86mm
- Height: 63mm
- Recess depth: 30mm
- Weight: 0.1kg

#### Inputs

##### 1x PIR movement sensor

- Connection: PIR sensor (passive-infrared)
- Detection angle: 360°
- Detection range: radial min.  $\varnothing$ 5m, max.  $\varnothing$ 7m; tangential min.  $\varnothing$ 6.5m, max.  $\varnothing$ 8.5m
- Detection range: min.  $\varnothing$ 3.5m, max.  $\varnothing$ 6.0m
- Feature: circular detection area

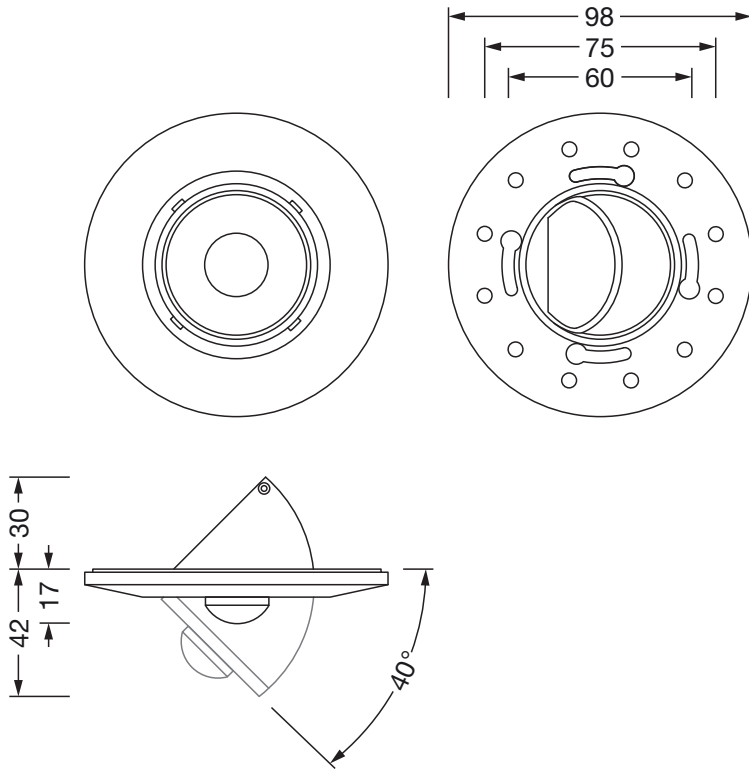
#### Outputs

##### 1x LED red/green

- Feature: for displaying initialization

Order No.: 5LZ935202A | GTIN (EAN): 4058352838105

Dimensions: SCon,PC4,lokCtrl,PIR-sens



It is mandatory that the assembly instructions must be observed when planning and installing the electrical installation (to be found at [www.siteco.de](http://www.siteco.de))  
Tolerances related to thermal, electrical and photometric data according to IEC 62722  
Issued 16.02.2024 - Modifications and errors subject to change - Ensure that you always use the latest version -