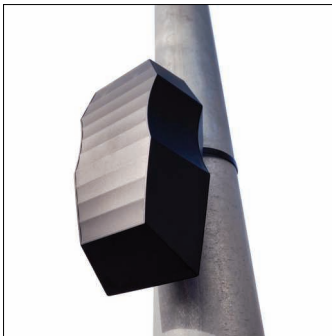


Order No.: 5EA40RB01 | GTIN (EAN): 4058352916438

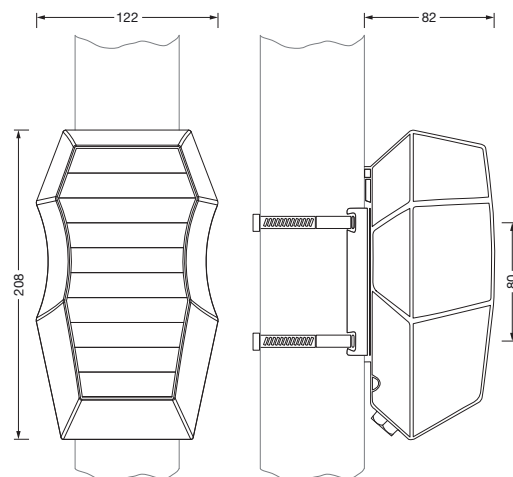
Product description: SConWi,MastBoxMotRad



SITECO Connect Wireless Mast Box Motion Radar, installation type: surface-mounted, installation location: to mast, of plastic, voltage: 230V, voltage type: AC, 2.4GHz, local mesh radio network, DALI, local setting and operation with USB stick, by movement, 2 radar movement sensors, radar movement sensor, radio, 2.4GHz, protection rating (complete): IP66, certification: CE, packaging unit: 1 piece

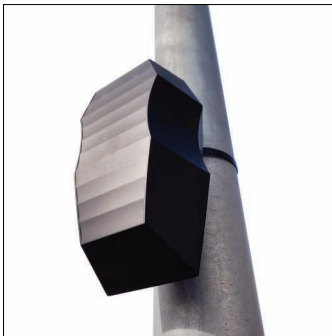
IP 66 CE

Wt. (kg): 0.8
GTIN (EAN): 4058352916438



Order No.: 5EA40RB01 | GTIN (EAN): 4058352916438

Detailed technical description: SConWi,MastBoxMotRad



Key data

- Product type: sensor
- Product name: SITECO Connect Wireless
- Order No.: 5EA40RB01

Lighting technology | Lamps | Control gear

Component 1

Operating device:

- Control: DALI

Certificates, Standards

- Protection rating: IP66
- Temperature range (operation): -20..+60°C
- Certification, designation: CE

Material, Colour

- housing: plastic, transparent, colour-backed, dark grey
- Colour specification: dark grey

Mounting

- Mounting method, mounting location: surface-mounted, to mast
- Mounting height: 4..10m

Electrical connection

- Nominal voltage: 230V, AC

Dimensions, Weight

- Weight: 0.8kg

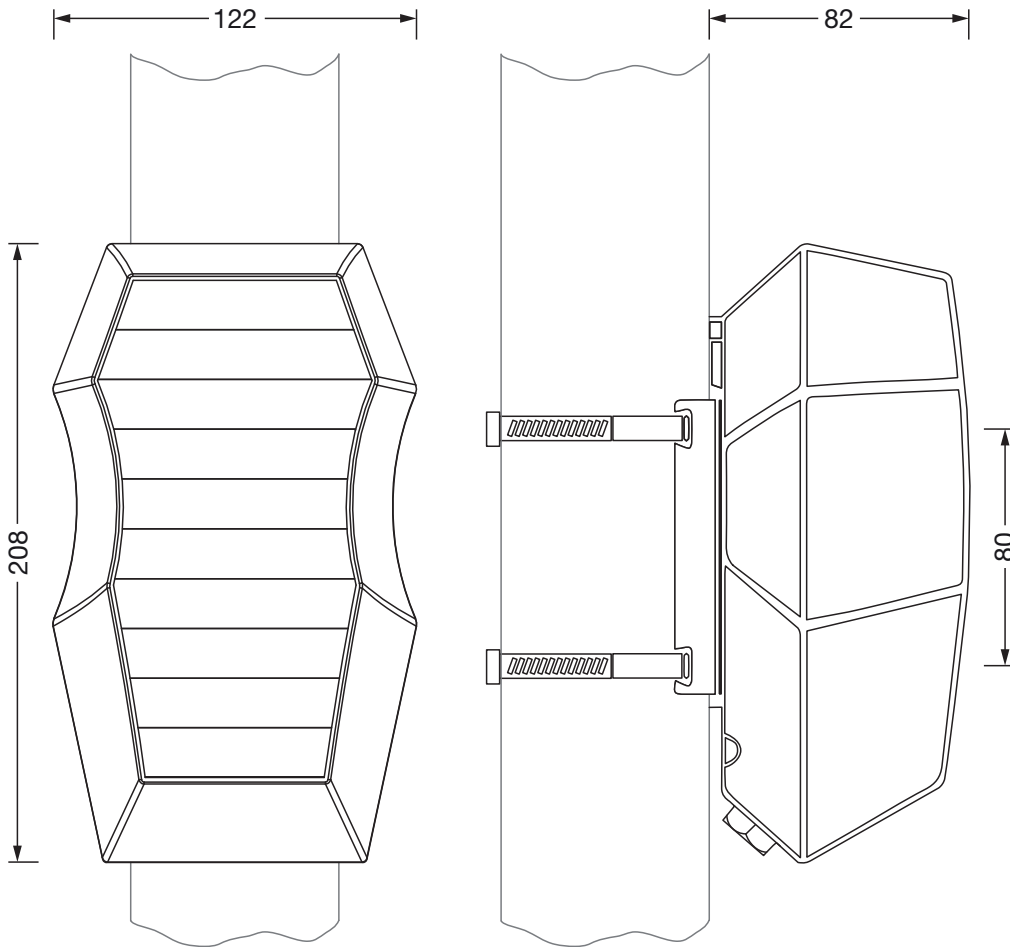
Inputs

radar movement sensor

- Detection range: max. 15x5m

Order No.: 5EA40RB01 | GTIN (EAN): 4058352916438

Dimensions: SConWi,MastBoxMotRad

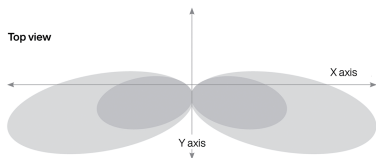


Detection zone 5EA40RB01

Side view



Top view



Mounting height 5m	X axis	Y axis
Vehicles	70.0 m	15.0 m
People	25.0 m	10.0 m

It is mandatory that the assembly instructions must be observed when planning and installing the electrical installation (to be found at www.siteco.de)
 Tolerances related to thermal, electrical and photometric data according to IEC 62722
 Issued 12.04.2024 - Modifications and errors subject to change - Ensure that you always use the latest version -