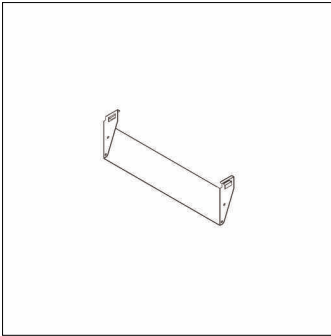


Order No.: 5XA779FBS | **GTIN (EAN):** 4058352913840

Product description: FL11,shield,alu,bk

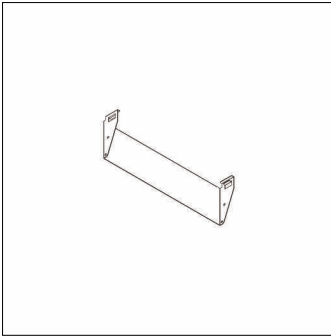


Floodlight FL 11; shield for rear shielding of aluminium, jet black (RAL 9005);
packaging unit: 1 piece

Wt. (kg): 0.8
GTIN (EAN): 4058352913840

Order No.: 5XA779FBS | GTIN (EAN): 4058352913840

Detailed technical description: FL11,shield,alu,bk



Key data

- Product type: shield
- Product name: Floodlight FL 11
- Order No.: 5XA779FBS

Lighting technology | Lamps | Control gear

Component 1

Lighting technology:

- Glare reduction: rear shielding of aluminium, jet black (RAL 9005)

Dimensions, Weight

- Weight: 0.8kg