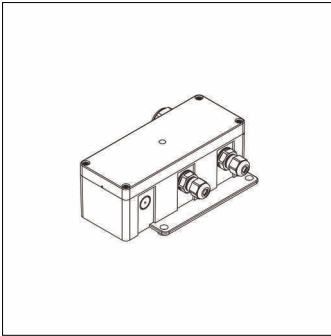


Order No.: 5XA779RECB | GTIN (EAN): 4058352599860

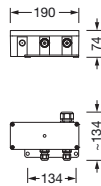
**Product description: FL11,IP66**



Floodlight FL 11 junction box; junction box junction box of PC, fixing angle bracket, of stainless steel, protection rating (complete): IP66; packaging unit: 1 piece

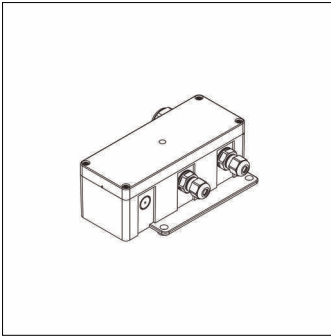
IP 66

Wt. (kg): 0.6  
GTIN (EAN): 4058352599860



Order No.: 5XA779RECB | GTIN (EAN): 4058352599860

Detailed technical description: FL11,IP66



#### Key data

- Product type: junction box
- Product name: Floodlight FL 11
- Order No.: 5XA779RECB

#### Certificates, Standards

- Protection rating: IP66

#### Material, Colour

- junction box: PC
- fixing angle bracket: stainless steel

#### Mounting

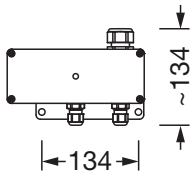
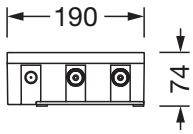
- Mounting method, mounting location:  
screw fastening, to mounting bracket

#### Dimensions, Weight

- Weight: 0.6kg

Order No.: 5XA779RECB | GTIN (EAN): 4058352599860

Dimensions: FL11,IP66



It is mandatory that the assembly instructions must be observed when planning and installing the electrical installation (to be found at [www.siteco.de](http://www.siteco.de))

Tolerances related to thermal, electrical and photometric data according to IEC 62722

Issued 09.02.2024 - Modifications and errors subject to change - Ensure that you always use the latest version -