

Order No.: 5XE1U33S08DB | GTIN (EAN): 4069025148889

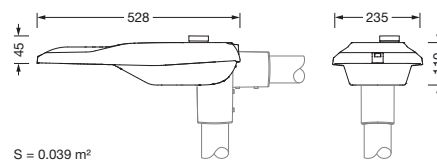
Product description: SL21mc,P080001,5040lm730,D4i,Za



Streetlight SL 21 micro, mast luminaire, primary light control with lens, of PMMA, primary optical cover: cover, of toughened safety glass, transparent, light distribution: P080001, primary beam angle: wide distribution, light emission: direct distribution, primary light characteristic: asymmetric, installation type: post-top, side-entry, lamps: LED, rated values: 5.040lm | 39,1W | 128,9lm/W (begin service life); end service life: 5.040lm | 40,8W; at 50% lumin. flux: 2.527lm | 17,7W | 142,8lm/W, colour temperature: 3000K, colour rendering: CRI > 70, light colour: 730, light setting 1 (further light settings possible): 100% | 5.040lm | 39,1W | 128,9lm/W | 3.000K (begin service life); end service life: 40,8W, control gear: D4i, control: pre-setting: logarithmic dimming characteristic, flexible luminous flux parameterisation, time-dependent luminous flux control, constant luminous flux control, overheat protection, mains connection: 220..240V, AC, 50/60Hz, surge voltage resistance: surge voltage resistance: 10kV (common mode); 6kV (differential mode), luminaire housing, of diecast aluminium, powder-coated, SITECO metallic grey (DB 702S), corrosivity category C5 high according to DIN EN ISO 12944, multi-level sealing system, sealing non-destructively replaceable, inclination adjustable: 0°, 5°, 10°, 15°, please order mast flange separately, length: 528mm, width: 235mm, height: 110mm, mast flange for spigot size: 42mm (side-entry): 5XC10008XM4, 60/48mm (side-entry/post-top): 5XC10108XM2, 76/60mm (side-entry/post-top): 5XC10108XM1, Smart Interface above: Zhaga, protection rating (complete): IP66, insulation class (complete): insulation class II (safety insulation), certification: CE, ENEC, ENEC+, VDE, impact resistance: IK10, permissible operating ambient temperature for outdoor applications: -40..+50°C, standard-compliant lighting for roads and squares, packaging unit: 1 piece



Lamps: LED  
 Wt. (kg): 4.4  
 GTIN (EAN): 4069025148889



Order No.: 5XE1U33S08DB | GTIN (EAN): 4069025148889

Detailed technical description: SL21mc,P080001,5040lm730,D4i,Za



### Key data

- Product type: mast luminaire
- Product name: Streetlight SL 21 micro
- Order No.: 5XE1U33S08DB

### Lighting technology | Lamps | Control gear

#### Component 1

#### Lighting technology:

- Light control: lens of PMMA
- Cover: cover, transparent
- Light distribution: P080001
- Beam angle: wide distribution
- Symmetry: asymmetric distribution
- Light emission: direct distribution

#### Lamps:

- Lamps: with LED
- Rated values: 5040lm | 39.1W | 128.9lm/W (begin service life); end service life: 5040lm | 40.8W; at 50% lumin. flux: 2527lm | 17.7W | 142.8lm/W
- Colour temperature: 3000K
- Colour rendering index: CRI > 70
- Light colour: 730

#### Factory light settings (LS):

- begin service life:  
LS 1: 100% | 5040lm | 39.1W | 128.9lm/W | 3000K
- end service life:  
LS 1: 40.8W
- further light settings possible

#### Operating device:

- Control: D4i
- Smart Interface above: Zhaga
- Equipment: overheat protection, constant luminous flux control, time-dependent luminous flux control, flexible luminous flux parameterisation, pre-setting: logarithmic dimming characteristic

### Certificates, Standards

- Protection rating: IP66
- Insulation class: insulation class II (safety insulation)
- Impact resistance: IK10
- Temperature range (operation): -40..+50°C
- Supplement: standard-compliant lighting for roads and squares
- Corrosion protection: corrosivity category C5 high according to DIN EN ISO 12944
- Certification, designation: CE, ENEC, ENEC+, VDE

### Material, Colour

- luminaire housing: diecast aluminium, powder-coated, SITECO metallic grey (DB 702S), please order mast flange separately, inclination adjustable: 0°, 5°, 10°, 15°, sealing non-destructively replaceable, multi-level sealing system
- Cover: cover of toughened safety glass

### Mounting

- Mounting method, mounting location: side-entry, post-top, on mast

### Electrical connection

- Nominal voltage: 220..240V, 50/60Hz, AC
- Surge voltage resistance: surge voltage resistance: 10kV (common mode); 6kV (differential mode)

### Dimensions, Weight

- Length: 528mm
- Width: 235mm
- Height: 110mm
- Weight: 4.4kg
- Mast spigot: mast flange for spigot size: 42mm (side-entry): 5XC10008XM4, 60/48mm (side-entry/post-top): 5XC10108XM2, 76/60mm (side-entry/post-top): 5XC10108XM1

### Light emission

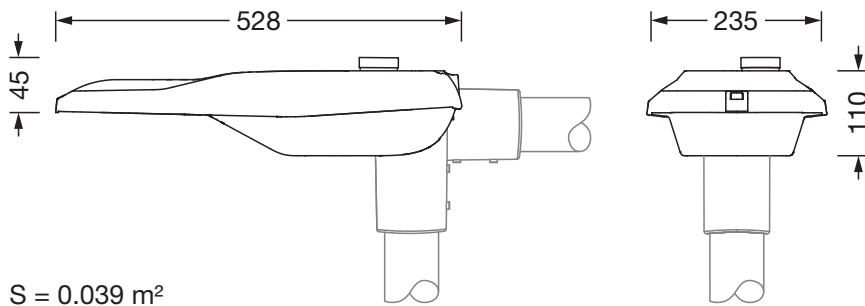
- Light emission: 0% at 0° inclination

### Service life

- Rated service life: 100000h (L96/B10) at AT = 25°C

Order No.: 5XE1U33S08DB | GTIN (EAN): 4069025148889

Dimensions: SL21mc,P080001,5040lm730,D4i,Za



S = 0.039 m<sup>2</sup>