

Order No.: 5XA5255EV14H000022 | GTIN (EAN): 4058352023976

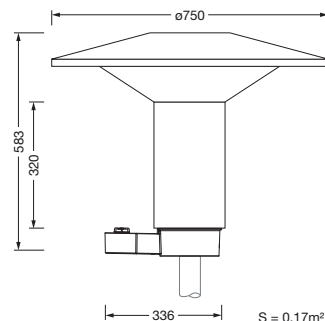
Product description: LantiQ,S120010,1530lm730,SR,D4i,Za



Lantern iQ, mast luminaire, Module 540 iQ-SR, primary light control with 3 zone faceted reflector, of plastic, silver coated, highly specular, structured, primary optical cover: cover, of PMMA, transparent, light distribution: S120010, primary beam angle: wide distribution, light emission: direct distribution, primary light characteristic: asymmetric, installation type: post-top, lamps: LED, rated values: 1.530lm | 10,7W | 143lm/W (begin service life); end service life: 1.530lm | 11,1W; at 50% lumin. flux: 765lm | 5,6W | 136,6lm/W, colour temperature: 3000K, colour rendering: CRI > 70, light colour: 730, light setting 1 (further light settings possible): 100% | 1.530lm | 10,7W | 143lm/W | 3.000K (begin service life); end service life: 11,1W, control gear: iQ-Street Remote, D4i, control: optimised constant luminous flux control (CLO 2.0), Desk-Remote (wireless, voltage-free reading and setting of iQ features in the workshop via application-optimized NFC function/RFID function), Light-Fading, Smart-Wire, Night-Set, Lumen-Switch, Temp-Guard, Auto-Match, Street-Remote, pre-setting: logarithmic dimming characteristic, mains connection: 220..240V, AC, 50/60Hz, surge voltage resistance: surge voltage resistance: 10kV (common mode); 6kV (differential mode), electrical connection: terminal, 6-pole, max. 2.5mm<sup>2</sup>, solid wire, fine wire, connection cable: pre-assembled, cable length: 5,5m, wiring characteristics: H07RN-F, 5G 1,5mm<sup>2</sup>, configuration: L/N/E/LST, luminaire housing, upper part, of glass-fibre reinforced polyester, coated, SITECO metallic grey (DB 702S), diameter: 750mm, height: 583mm, spigot size: d x l = 76 x 70mm (post-top) | with reducer (optional accessory) 60 x 70mm, post-top mast mounting element, of diecast aluminium, coated, SITECO metallic grey (DB 702S), Module 540 iQ-SR, traffic white (RAL 9016), Smart Interface above: Zhaga, equipment: standard, protection rating (complete): IP65, insulation class (complete): insulation class II (safety insulation), certification: CE, ENEC, VDE, packaging unit: 1 piece



Lamps: LED  
 Wt. (kg): 9.0  
 GTIN (EAN): 4058352023976



Order No.: 5XA5255EV14H000022 | GTIN (EAN): 4058352023976

Detailed technical description: LantiQ,S120010,1530lm730,SR,D4i,Za



### Key data

- Product type: mast luminaire
- Product name: Lantern iQ
- Order No.: 5XA5255EV14H000022

### Lighting technology | Lamps | Control gear

#### Component 1

#### Lighting technology:

- Light control: 3 zone faceted reflector of plastic, silver coated, highly specular
- Cover: cover, transparent
- Light distribution: S120010
- Beam angle: wide distribution
- Symmetry: asymmetric distribution
- Light emission: direct distribution

#### Lamps:

- Lamps: with LED
- Rated values: 1530lm | 10.7W | 143lm/W (begin service life); end service life: 1530lm | 11.1W; at 50% lumin. flux: 765lm | 5.6W | 136.6lm/W
- Colour temperature: 3000K
- Colour rendering index: CRI > 70
- Light colour: 730
- SDCM (Standard Deviation of Colour Matching): MacAdam  $\leq$  5 SDCM (initial)

#### Factory light settings (LS):

- begin service life:  
LS 1: 100% | 1530lm | 10.7W | 143lm/W | 3000K
- end service life:  
LS 1: 11.1W
- further light settings possible

#### Operating device:

- Control: iQ-Street Remote, D4i
- Smart Interface above: Zhaga
- Equipment: optimised constant luminous flux control (CLO 2.0), Desk-Remote (wireless, voltage-free reading and setting of iQ features in the workshop via application-optimized NFC function/RFID function), Light-Fading, Smart-Wire, Night-Set, Lumen-Switch, Temp-Guard, Auto-Match, Street-Remote, pre-setting: logarithmic dimming characteristic

### Certificates, Standards

- Protection rating: IP65
- Insulation class: insulation class II (safety insulation)
- Certification, designation: CE, ENEC, VDE

### Material, Colour

- luminaire housing, upper part: glass-fibre reinforced polyester, coated, SITECO metallic grey (DB 702S)
- post-top mast mounting element: diecast aluminium, coated, SITECO metallic grey (DB 702S)
- Module 540 iQ-SR: traffic white (RAL 9016)
- Cover: cover of PMMA

### Mounting

- Mounting method, mounting location: post-top, on mast

### Electrical connection

- Connection: terminal, 6-pole, max. 2.5mm<sup>2</sup>, solid wire, fine wire
- Connection cable: pre-assembled, L= 5.5m, H07RN-F, 5G 1.5mm<sup>2</sup>, L/N/E/LST
- Nominal voltage: 220..240V, 50/60Hz, AC
- Surge voltage resistance: surge voltage resistance: 10kV (common mode); 6kV (differential mode)

### Dimensions, Weight

- Diameter: 750mm
- Height: 583mm
- Weight: 9.0kg
- Mast spigot: spigot size: d x l = 76 x 70mm (post-top) | with reducer (optional accessory) 60 x 70mm

### Light emission

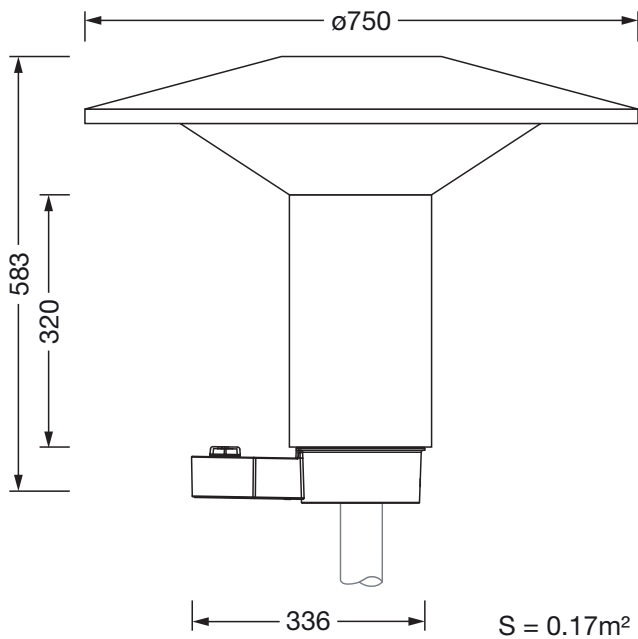
- Light emission: < 3%

### Service life

- Rated service life: 100000h at AT = 25°C

Order No.: 5XA5255EV14H000022 | GTIN (EAN): 4058352023976

Dimensions: LantiQ,S120010,1530lm730,SR,D4i,Za



It is mandatory that the assembly instructions must be observed when planning and installing the electrical installation (to be found at [www.siteco.de](http://www.siteco.de))

Tolerances related to thermal, electrical and photometric data according to IEC 62722

Issued 14.03.2026 - Modifications and errors subject to change - Ensure that you always use the latest version -