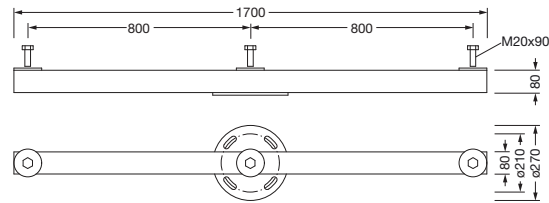


Order No.: 5NYHAL3330 | GTIN (EAN): 4069025213143

Product description: **supp.struc,3f,galv.st**

mounting components group, supporting structure 3-fold, of steel, galvanised,
type 1: post-top, for raise and lower mast 18/20m, for mounting of Floodlight
FL 11, packaging unit: 1 piece

Wt. (kg): 18.0
GTIN (EAN): 4069025213143



It is mandatory that the assembly instructions must be observed when planning and installing the electrical installation (to be found at www.siteco.de)
Tolerances related to thermal, electrical and photometric data according to IEC 62722
Issued 09.04.2025 - Modifications and errors subject to change - Ensure that you always use the latest version -

Order No.: 5NYHAL3330 | **GTIN (EAN):** 4069025213143

Detailed technical description: [supp.struc,3f,galv.st](#)

Key data

- Product type: mounting components group
- Order No.: 5NYHAL3330

Material, Colour

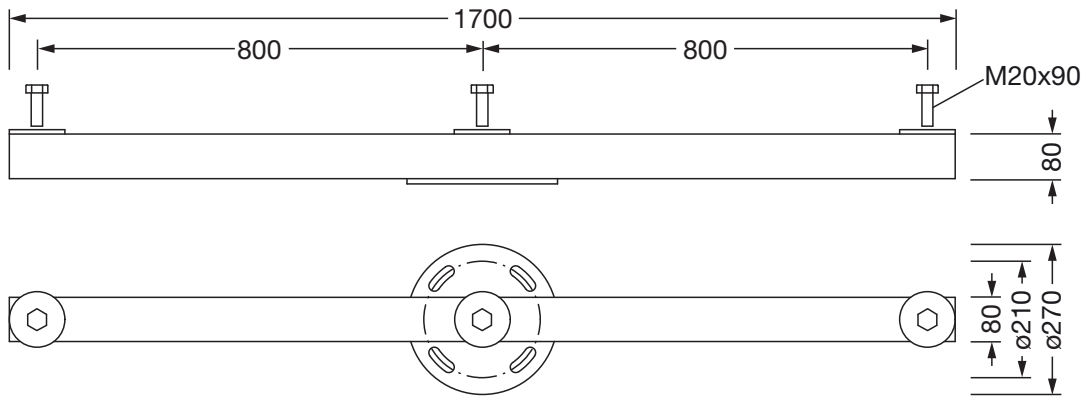
- supporting structure 3-fold: steel, galvanised, for raise and lower mast 18/20m, for mounting of Floodlight FL 11
- Quantity: 1 piece

Dimensions, Weight

- Weight: 18.0kg

Order No.: 5NYHAL3330 | GTIN (EAN): 4069025213143

Dimensions: supp.struc,3f,galv.st



It is mandatory that the assembly instructions must be observed when planning and installing the electrical installation (to be found at www.siteco.de)
Tolerances related to thermal, electrical and photometric data according to IEC 62722
Issued 09.04.2025 - Modifications and errors subject to change - Ensure that you always use the latest version -