

Order No.: 5XA779616W01AB | GTIN (EAN): 4069025142481

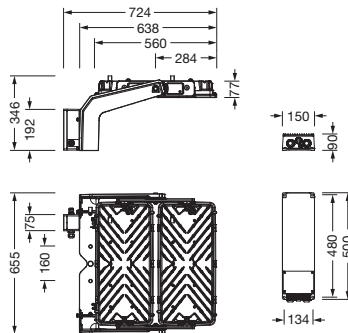
Product description: FL11mxRe,A64B001,102250lm740,DA2,gy



Floodlight FL 11 maxi Remote floodlight; light control with lens of PMMA; cover panel of toughened safety glass, transparent; light distribution: A64B001, asymmetric direct distribution, rated values: 102.250lm | 1.140,4W | 89,7lm/W, colour temperature: 4000K, colour rendering: CRI > 70, light colour: 740, light setting 1 (further light settings possible): 100% | 102.250lm | 1.140,4W | 89,7lm/W | 4.000K dimming curve linear; brightness control: DALI 2; mains connection: 200..400V AC, 50/60Hz, surge voltage resistance: line to ground: 10kV, electrical connection: terminal, 5-pole, max. 2.5mm², solid wire, fine wire, ECG replaceable separately, LED unit replaceable without ESD environment, dimming range 10..100%; floodlight with 2x LED unit of diecast aluminium, grey; length: 638mm / width: 655mm / height: 346mm; mounting bracket, of diecast aluminium, uncoated, junction box, of PA66, black, ECG unit, of diecast aluminium, coated, grey, equipment: Power, protection rating (complete): IP66; insulation class (complete): insulation class I (protective earthing); certification: CE, ENEC, VDE, UKCA; ball protection: ball impact resistance with accessories, impact resistance: IK07; only for outdoor installations in the designated locations, permissible operating ambient temperature: -40..+55°C, permissible storage temperature: -40..+85°C packaging unit: 1 piece



Lamps:	LED
Wt. (kg):	24.6
GTIN (EAN):	4069025142481



It is mandatory that the assembly instructions must be observed when planning and installing the electrical installation (to be found at www.siteco.de)

Tolerances related to thermal, electrical and photometric data according to IEC 62722

Issued 24.04.2026 - Modifications and errors subject to change - Ensure that you always use the latest version -

Order No.: 5XA779616W01AB | **GTIN (EAN):** 4069025142481

Detailed technical description: FL11mxRe,A64B001,102250lm740,DA2,gy



Key data

- Product type: floodlight
- Product name: Floodlight FL 11 maxi Remote
- Order No.: 5XA779616W01AB

Lighting technology | Lamps | Control gear

Component 1

Lighting technology:

- Light control: lens of PMMA
- Cover: cover panel, transparent
- Light distribution: A64B001
- Symmetry: asymmetric distribution
- Light emission: direct distribution

Lamps:

- Lamps: with LED
- Rated values: 102250lm | 1140.4W | 89.7lm/W
- Colour temperature: 4000K
- Colour rendering index: CRI > 70
- Light colour: 740
- Supplement: LED service life up to 100,000h L90. Typical operating time: 1000h per year.

Factory light settings (LS):

- LS 1: 100% | 102250lm | 1140.4W | 89.7lm/W | 4000K
- further light settings possible

Operating device:

- Control: DALI 2
- Equipment: dimming curve linear

Certificates, Standards

- Protection rating: IP66
- Insulation class: insulation class I (protective earthing)
- Impact resistance: IK07
- Temperature range (operation): -40..+55°C
- Supplement: only for outdoor installations in the designated locations
- Corrosion protection: corrosivity category C3 according to DIN EN ISO 12944; fastening screws made of non-corrosive material, additionally with anti-corrosion coating, tested according to DIN EN ISO 9227 NSS:Jul17 (similar to DIN EN ISO 12944 for C5)
- Certification, designation: CE, ENEC, VDE, UKCA

Material, Colour

- LED unit: diecast aluminium, grey
- Quantity: 2 piece
- mounting bracket: diecast aluminium, uncoated
- junction box: PA66, black
- ECG unit: diecast aluminium, coated, grey
- Cover: cover panel of toughened safety glass

Mounting

- Mounting method, mounting location: surface-mounted, to supporting structure, to the ceiling, to the cross arm

Electrical connection

- Connection: terminal, 5-pole, max. 2.5mm², solid wire, fine wire
- Nominal voltage: 200..400V, 50/60Hz, AC
- Surge voltage resistance: line to ground: 10kV

Dimensions, Weight

- Length: 638mm
- Width: 655mm
- Height: 346mm
- Weight: 24.6kg
- Supplement: luminaire head with bracket: 17.6kg, ECG unit: 6.8kg, luminaire head with bracket: 17.6kg, ECG unit: 7.0kg

Order No.: 5XA779616W01AB | GTIN (EAN): 4069025142481

Detailed technical description: FL11mxRe,A64B001,102250lm740,DA2,gy



Light emission

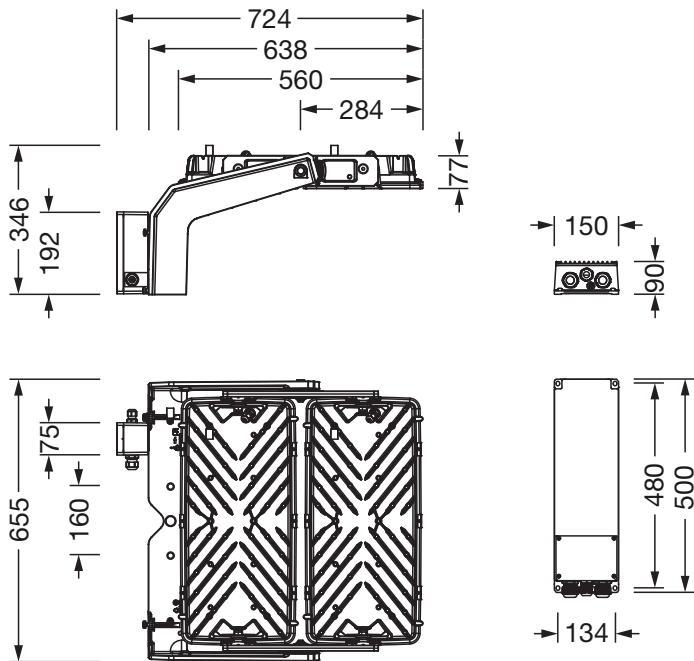
- Light emission: 0%

Place of operation

- Suitable for: Austria, Belgium, Czech Republic, Denmark, France, Germany, Hungary, Italy (north), Luxembourg, Netherlands, New Zealand, Poland, Slovakia, Slovenia, Switzerland, United Kingdom

Order No.: 5XA779616W01AB | GTIN (EAN): 4069025142481

Dimensions: FL11mxRe,A64B001,102250lm740,DA2,gy



It is mandatory that the assembly instructions must be observed when planning and installing the electrical installation (to be found at www.siteco.de)
Tolerances related to thermal, electrical and photometric data according to IEC 62722
Issued 24.04.2026 - Modifications and errors subject to change - Ensure that you always use the latest version -