

Order No.: 5XA779625V01AB | GTIN (EAN): 4069025143143

Product description: FL11mxproRe,A640001,243610lm730,DA2,gy



Floodlight FL 11 maxi pro Remote floodlight; light control with lens of PMMA; cover panel of toughened safety glass, transparent; light distribution: A640001, asymmetric direct distribution, rated values: 243.610lm | 1.901,6W | 128,1lm/W, colour temperature: 3000K, colour rendering: CRI > 70, light colour: 730, light setting 1 (further light settings possible): 100% | 243.610lm | 1.901,6W | 128,1lm/W | 3.000Kpre-setting: linear dimming characteristic; brightness control: DALI 2; mains connection: 220..240V/380..400V AC, 50/60Hz, surge voltage resistance: line to ground: 10kV, electrical connection: terminal, 5-pole, max. 2.5mm², solid wire, fine wire, ECG replaceable separately, LED unit replaceable without ESD environment, dustproof LED unit, LED unit replaceable, LED unit replaceable on mast without ESD environment, dimming range 10..100%; floodlight with 3x LED unit of diecast aluminium, coated grey; length: 1.003mm / width: 651mm / height: 338mm; mounting bracket, of diecast aluminium, uncoated, natural, equipment: Power, protection rating (complete): IP66; insulation class (complete): insulation class I (protective earthing); certification: CE, ENEC, VDE; ball protection: ball impact resistant, only for outdoor installations in the designated locations, permissible operating ambient temperature: -40..+55°C, permissible storage temperature: -40..+85°Cpackaging unit: 1 piece



Lamps: LED
 Wt. (kg): 30.6
 GTIN (EAN): 4069025143143



Order No.: 5XA779625V01AB | GTIN (EAN): 4069025143143

Detailed technical description: FL11mxproRe,A640001,243610lm730,DA2,gy



Key data

- Product type: floodlight
- Product name: Floodlight FL 11 maxi pro Remote
- Order No.: 5XA779625V01AB

Lighting technology | Lamps | Control gear

Component 1

Lighting technology:

- Light control: lens of PMMA
- Cover: cover panel, transparent
- Light distribution: A640001
- Symmetry: asymmetric distribution
- Light emission: direct distribution

Lamps:

- Lamps: with LED
- Rated values: 243610lm | 1901.6W | 128.1lm/W
- Colour temperature: 3000K
- Colour rendering index: CRI > 70
- Light colour: 730
- Supplement: LED service life up to 100,000h L90. Typical operating time: 1000h per year.

Factory light settings (LS):

- LS 1: 100% | 243610lm | 1901.6W | 128.1lm/W | 3000K
- further light settings possible

Operating device:

- Control: DALI 2
- Equipment: pre-setting: linear dimming characteristic

Certificates, Standards

- Protection rating: IP66
- Insulation class: insulation class I (protective earthing)
- Temperature range (operation): -40..+55°C
- Supplement: only for outdoor installations in the designated locations
- Certification, designation: CE, ENEC, VDE

Material, Colour

- LED unit: diecast aluminium, coated, grey
- Quantity: 3 piece
- mounting bracket: diecast aluminium, uncoated, natural
- Cover: cover panel of toughened safety glass

Mounting

- Mounting method, mounting location: surface-mounted, to supporting structure, to the ceiling, to the cross arm
- Arrangement: single arrangement
- Supplement: with mounting bracket

Electrical connection

- Connection: terminal, 5-pole, max. 2.5mm², solid wire, fine wire
- Nominal voltage: 220..240V/380..400V, 50/60Hz, AC
- Surge voltage resistance: line to ground: 10kV

Dimensions, Weight

- Length: 1003mm
- Width: 651mm
- Height: 338mm
- Weight: 30.6kg
- Supplement: luminaire head with bracket: 24kg, ECG unit: 6.8kg

Light emission

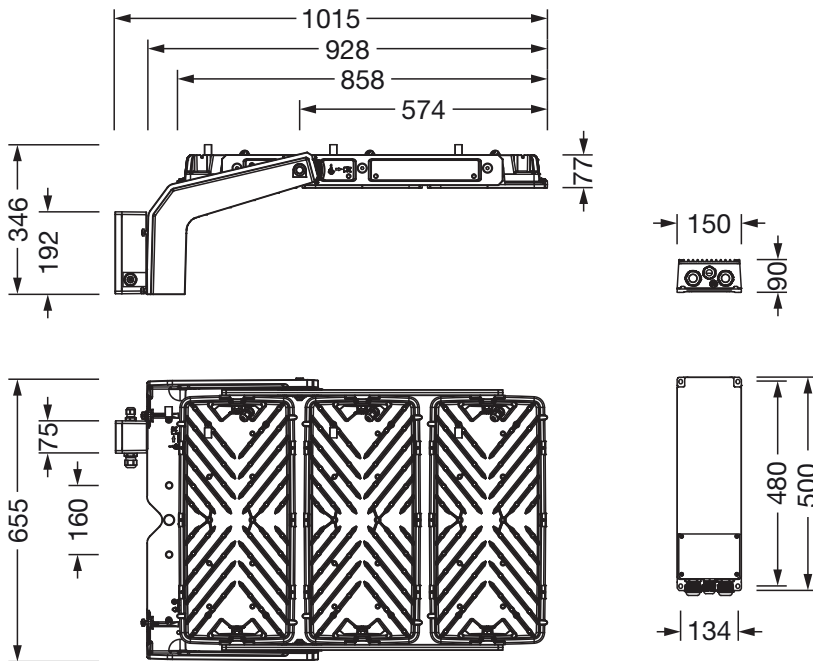
- Light emission: 0%

Place of operation

- Suitable for: Austria, Belgium, Czech Republic, Denmark, France, Germany, Hungary, Italy (north), Luxembourg, Netherlands, New Zealand, Poland, Slovakia, Slovenia, Switzerland, United Kingdom

Order No.: 5XA779625V01AB | GTIN (EAN): 4069025143143

Dimensions: FL11mxproRe,A640001,243610Im730,DA2,gy



It is mandatory that the assembly instructions must be observed when planning and installing the electrical installation (to be found at www.siteco.de)
Tolerances related to thermal, electrical and photometric data according to IEC 62722
Issued 20.03.2026 - Modifications and errors subject to change - Ensure that you always use the latest version -