

Order No.: 5XA779729V02FB | GTIN (EAN): 4069025145406

Product description: FL11mxproRe,A640001,246990lm757,DMX+RDM



Floodlight FL 11 maxi pro Remote floodlight; light control with lens of PMMA; cover panel of toughened safety glass, transparent; light distribution: A640001, asymmetric direct distribution, rated values: 246.990lm | 1.864,9W | 132,4lm/W, colour temperature: 5700K, colour rendering: CRI > 70, light colour: 757, light setting 1 (further light settings possible): 100% | 246.990lm | 1.864,9W | 132,4lm/W | 5.700Kpre-setting: linear dimming characteristic; brightness control: DMX+RDM; mains connection: 220..240V/380..400V AC, 50/60Hz, surge voltage resistance: line to ground: 10kV, electrical connection: terminal, 5-pole, max. 2.5mm², solid wire, fine wire, ECG replaceable separately, LED unit replaceable without ESD environment, dustproof LED unit, dimming range 10..100%; floodlight with 3x LED unit of diecast aluminium, coated grey; length: 1.003mm / width: 651mm / height: 338mm; mounting bracket, of diecast aluminium, uncoated, natural, equipment: Power, protection rating (complete): IP66; insulation class (complete): insulation class I (protective earthing); certification: CE, ENEC, VDE; ball protection: ball impact resistant, only for outdoor installations in the designated locations, permissible operating ambient temperature: -45..+55°C, permissible storage temperature: -40..+85°Cpackaging unit: 1 piece



Lamps:	LED
Wt. (kg):	32.2
GTIN (EAN):	4069025145406



It is mandatory that the assembly instructions must be observed when planning and installing the electrical installation (to be found at www.siteco.de)

Tolerances related to thermal, electrical and photometric data according to IEC 62722

Issued 27.03.2026 - Modifications and errors subject to change - Ensure that you always use the latest version -

Order No.: 5XA779729V02FB | GTIN (EAN): 4069025145406

Detailed technical description: FL11mxproRe,A640001,246990lm757,DMX+RDM



Key data

- Product type: floodlight
- Product name: Floodlight FL 11 maxi pro Remote
- Order No.: 5XA779729V02FB

Lighting technology | Lamps | Control gear

Component 1

Lighting technology:

- Light control: lens of PMMA
- Cover: cover panel, transparent
- Light distribution: A640001
- Symmetry: asymmetric distribution
- Light emission: direct distribution

Lamps:

- Lamps: with LED
- Rated values: 246990lm | 1864.9W | 132.4lm/W
- Colour temperature: 5700K
- Colour rendering index: CRI > 70
- Light colour: 757
- Supplement: LED service life up to 100,000h L90. Typical operating time: 1000h per year.

Factory light settings (LS):

- LS 1: 100% | 246990lm | 1864.9W | 132.4lm/W | 5700K
- further light settings possible

Operating device:

- Control: DMX+RDM
- Equipment: pre-setting: linear dimming characteristic

Certificates, Standards

- Protection rating: IP66
- Insulation class: insulation class I (protective earthing)
- Temperature range (operation): -45..+55°C
- Supplement: only for outdoor installations in the designated locations
- Certification, designation: CE, ENEC, VDE

Material, Colour

- LED unit: diecast aluminium, coated, grey, with parrot-proof cable protection
- Quantity: 3 piece
- mounting bracket: diecast aluminium, uncoated, natural
- Cover: cover panel of toughened safety glass

Mounting

- Mounting method, mounting location: surface-mounted, to supporting structure, to the ceiling, to the cross arm
- Arrangement: single arrangement
- Supplement: with mounting bracket

Electrical connection

- Connection: terminal, 5-pole, max. 2.5mm², solid wire, fine wire
- Nominal voltage: 220..240V/380..400V, 50/60Hz, AC
- Surge voltage resistance: line to ground: 10kV

Dimensions, Weight

- Length: 1003mm
- Width: 651mm
- Height: 338mm
- Weight: 32.2kg

Light emission

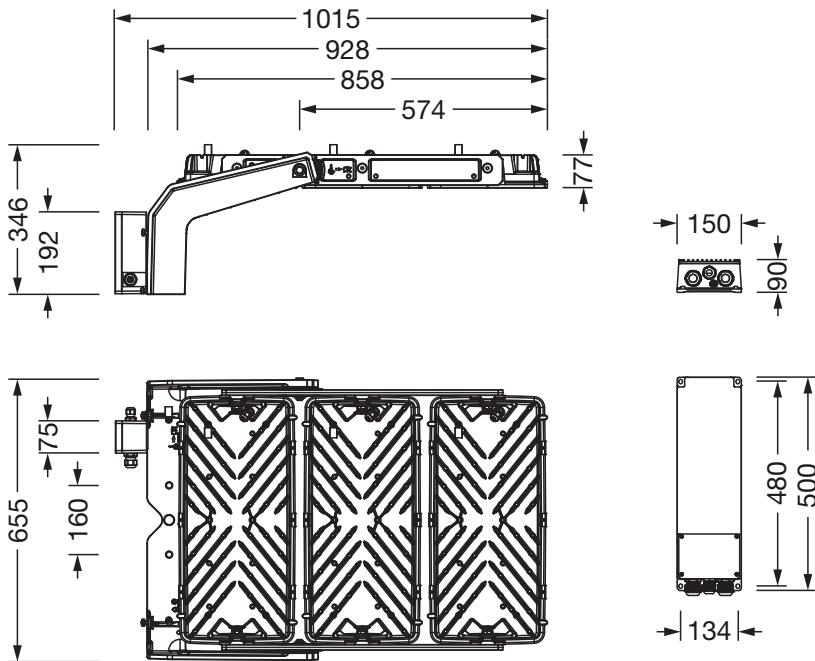
- Light emission: 0%

Place of operation

- Suitable for: Australia, Croatia, Italy (south), Portugal, Serbia, Spain

Order No.: 5XA779729V02FB | GTIN (EAN): 4069025145406

Dimensions: FL11mxproRe,A640001,246990lm757,DMX+RDM



It is mandatory that the assembly instructions must be observed when planning and installing the electrical installation (to be found at www.siteco.de)

Tolerances related to thermal, electrical and photometric data according to IEC 62722

Issued 27.03.2026 - Modifications and errors subject to change - Ensure that you always use the latest version -