

Order No.: 51HN11DB4LDA02 | GTIN (EAN): 4069025242679

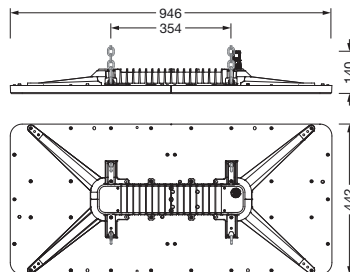
Product description: HB11mx,nrrw,26000lm840,BTm



high bay luminaire Highbay 11 maxi; direct symmetric narrow distribution, light control with lens of PMMA; $UGR \leq 19$ ($X = 4H$ | $Y = 8H$ | $S = 0.25H$ | reflection values 70/50/20); luminous flux: 26.000lm; light colour: 840, colour temperature: 4000K, MacAdam ≤ 2 SDCM (initial), colour rendering: CRI > 80; luminous efficacy: 206,5lm/W; rated service life: 100.000h (L95) at AT= 25°C; control: Bluetooth Mesh; for wireless networking: Node luminaire for setting up a local control solution without a higher-level application controller, intelligence completely in the luminaire; no control line such as DALI between the Node multi-sensor luminaires and Nodes is required, wireless integration of other Node luminaires and Node multi-sensor luminaires into the network is possible; number of Node luminaires in the project can be expanded as required, network sizes > 300 Nodes can be realized; can also be connected to lighting or building automation via various gateways upon request; integrated DALI2 ECG provides luminaire data (according to IEC62386, Part 251), energy data (Part 252), and monitoring and analytics data (Part 253) to higher-level systems for further processing; luminaire connection: terminal, 5-pole, max. 2.5mm² (cable entry for one cable, \varnothing 8.5..16mm); mains connection: 230..240V, AC 50/60Hz; connected load: 125,9W; protection rating (complete): IP66; insulation class (complete): insulation class I (protective earthing); protection symbol: D; impact resistance: IK08; certification: CE, UKCA; internal wiring halogen-free; luminaire Suitable for use in the food industry according to the specifications of IFS-Food, HACCP and/or BRC; LABS conformity tested according to VDMA 24364:2018-05; housing frame of high-performance plastic PA6, matt traffic white (RAL 9016); cover of PMMA; dimension (LxWxH): 946 x 442 x 72mm; permissible operating ambient temperature: -20..+45°C (reducing of maximum allowable ambient temperature of 5°C with ceiling mounting); packaging unit: 1 piece; (delivery without accessories; please order mounting accessories separately)



Lamps: LED
 Wt. (kg): 7.1
 GTIN (EAN): 4069025242679



Order No.: 51HN11DB4LDA02 | **GTIN (EAN):** 4069025242679

Detailed technical description: HB11mx,nrrw,26000lm840,BTm



Key data

- System family: SITECO Connect 11H Wireless
- Product type: high bay luminaire
- Product name: Highbay 11 maxi
- Order No.: 51HN11DB4LDA02

Lighting technology | Lamps | Control gear

Component 1

Lighting technology:

- Light control: lens of PMMA
- Cover: cover
- Beam angle: narrow distribution
- Symmetry: symmetric
- Light emission: direct distribution
- UGR viewing direction along longitudinal luminaire axis: ≤ 19
- UGR viewing direction along lateral luminaire axis: ≤ 19

Lamps:

- Lamps: with LED
- Rated luminous flux: 26000lm
- Luminous efficacy: 207lm/W
- Colour temperature: 4000K
- Colour rendering index: CRI > 80
- Light colour: 840
- SDCM (Standard Deviation of Colour Matching): MacAdam ≤ 2 SDCM (initial)
- Rated input power: 125.9W
- Supplement: internal wiring halogen-free

Operating device:

- Control: Bluetooth Mesh, dimmable

Certificates, Standards

- Protection rating: IP66
- Insulation class: insulation class I (protective earthing)
- Impact resistance: IK08
- Protection symbol: D
- Temperature range (operation): -20..+45°C
- Supplement: LABS conformity tested according to VDMA 24364:2018-05, Suitable for use in the food industry according to the specifications of IFS-Food, HACCP and/or BRC
- Certification, designation: CE, UKCA

Material, Colour

- housing frame: high-performance plastic PA6, matt traffic white (RAL 9016)
- Cover: cover of PMMA

Mounting

- Mounting method, mounting location: suspended mounting, surface-mounted, to wire, to the ceiling, to the chain
- Arrangement: single arrangement

Electrical connection

- Connection: terminal, 5-pole, max. 2.5mm²
- Nominal voltage: 230..240V, 50/60Hz, AC

Dimensions, Weight

- Length: 946mm
- Width: 442mm
- Height: 72mm
- Weight: 7.1kg

Service life

- Rated service life: 100000h (L95) at AT = 25°C, 100000h (L90) at AT = ta max

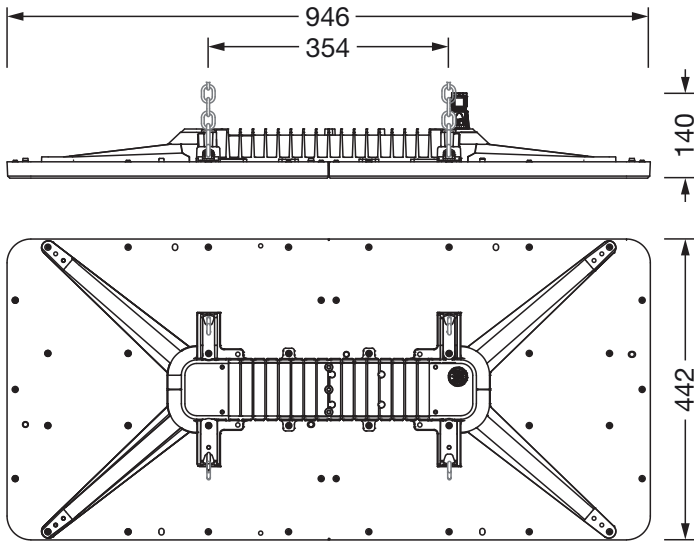
Outputs

Bluetooth Node (2.4GHz)

- Feature: wireless networking

Order No.: 51HN11DB4LDA02 | GTIN (EAN): 4069025242679

Dimensions: HB11mx,nrrw,26000lm840,BTm



It is mandatory that the assembly instructions must be observed when planning and installing the electrical installation (to be found at www.siteco.de)
Tolerances related to thermal, electrical and photometric data according to IEC 62722
Issued 20.03.2026 - Modifications and errors subject to change - Ensure that you always use the latest version -