

**Order No.:** 51FD20NK450A | **GTIN (EAN):** 4069025458445

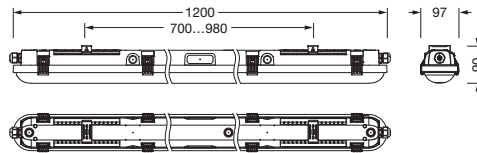
**Product description:** Mon31,diff,5060lm840,DA2,PC,L1200



Monsun 31, damp-proof luminaire, primary optical cover: diffuser, of PC, frosted, light emission: direct distribution, primary light characteristic: symmetric, installation type: surface-mounted, LED, rated luminous flux: 5.060lm, luminous efficacy: 163lm/W, light colour: 840, colour temperature: 4000K, control gear: DALI 2, with terminal, 5-pole, max. 2.5mm<sup>2</sup>, mains connection: 220..240V, AC, 50/60Hz, rated input power: 31W, housing, of PC, matt metallic grey (RAL 9006), with mounting bracket, length: 1.200mm, width: 95mm, height: 80mm, clip for enclosure, of spring steel V2A, protection rating (complete): IP66, insulation class (complete): insulation class I (protective earthing), certification: CE, ENEC, UKCA, protection symbol: D, impact resistance: IK08, permissible operating ambient temperature: -20..+40°C, corresponds to IFS (International Featured Standards) requirements for safety and quality in the food industry, contact your sales advisor before using the luminaires in applications with unclear chemical exposure, large temperature fluctuations or condensation-forming humidity, packaging unit: 1 piece



Lamps:	LED
Wt. (kg):	1.0
GTIN (EAN):	4069025458445



Order No.: 51FD20NK450A | GTIN (EAN): 4069025458445

Detailed technical description: Mon31,diff,5060lm840,DA2,PC,L1200



#### Key data

- Product type: damp-proof luminaire
- Product name: Monsun 31
- Order No.: 51FD20NK450A

#### Lighting technology | Lamps | Control gear

#### Component 1

#### Lighting technology:

- Cover: diffuser, frosted
- Beam angle: diffuse distribution
- Symmetry: symmetric
- Light emission: direct distribution

#### Lamps:

- Lamps: with LED
- Rated luminous flux: 5060lm
- Luminous efficacy: 163lm/W
- Colour temperature: 4000K
- Colour rendering index: CRI > 80
- Light colour: 840
- SDCM (Standard Deviation of Colour Matching): MacAdam  $\leq$  3 SDCM (initial)
- Rated input power: 31W
- Supplement: prepared for through-wiring

#### Operating device:

- Control: DALI 2

#### Certificates, Standards

- Protection rating: IP66
- Insulation class: insulation class I (protective earthing)
- Impact resistance: IK08
- Protection symbol: D
- Temperature range (operation): -20..+40°C
- Supplement: corresponds to IFS (International Featured Standards) requirements for safety and quality in the food industry, contact your sales advisor before using the luminaires in applications with unclear chemical exposure, large temperature fluctuations or condensation-forming humidity
- Certification, designation: CE, ENEC, UKCA

#### Material, Colour

- housing: PC, matt metallic grey (RAL 9006), with mounting bracket
- clip for enclosure: spring steel V2A
- Cover: diffuser of PC

#### Mounting

- Mounting method, mounting location: surface-mounted, to the ceiling, to the wall
- Mounting height: 3..8m
- Arrangement: single arrangement

#### Electrical connection

- Connection: terminal, 5-pole, max. 2.5mm<sup>2</sup>
- Nominal voltage: 220..240V, 50/60Hz, AC

#### Dimensions, Weight

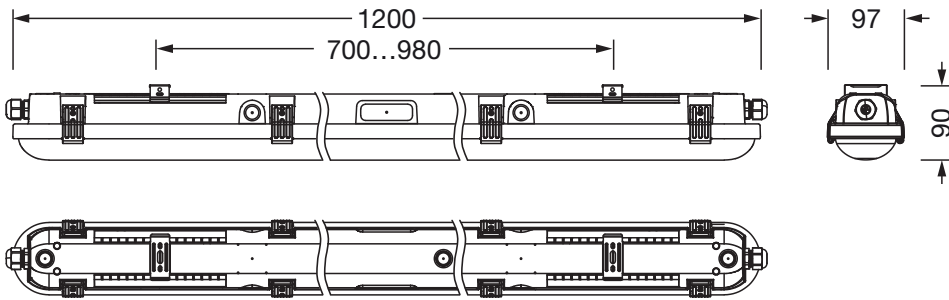
- Length: 1200mm
- Width: 95mm
- Height: 80mm
- Weight: 1.0kg

#### Service life

- Rated service life: 70000h (L85) at AT = 25°C

Order No.: 51FD20NK450A | GTIN (EAN): 4069025458445

Dimensions: Mon31,diff,5060lm840,DA2,PC,L1200



It is mandatory that the assembly instructions must be observed when planning and installing the electrical installation (to be found at [www.siteco.de](http://www.siteco.de))  
Tolerances related to thermal, electrical and photometric data according to IEC 62722  
Issued 26.02.2026 - Modifications and errors subject to change - Ensure that you always use the latest version -