

Order No.: 5XH1D35N08EA | GTIN (EAN): 4069025511089

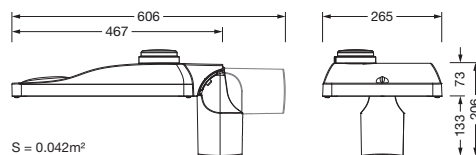
Product description: SL31mc,S100003,5280lm730,D4iDR,N7a



Streetlight SL 31 micro, mast luminaire, primary light control with lens, of PMMA, primary optical cover: cover, of toughened safety glass, transparent, light distribution: S100003, primary beam angle: wide distribution, light emission: direct distribution, primary light characteristic: asymmetric, installation type: post-top, side-entry, lamps: LED, rated values: 5.280lm | 35,3W | 149,6lm/W (begin service life); end service life: 5.280lm | 36,8W; at 50% lumin. flux: 2.645lm | 16,3W | 162,3lm/W, colour temperature: 3000K, colour rendering: CRI > 70, light colour: 730, light setting 1 (further light settings possible): 100% | 5.280lm | 35,3W | 149,6lm/W | 3.000K (begin service life); end service life: 36,8W, control gear: D4i, Desk-Remote, control: pre-setting: linear dimming characteristic, flexible luminous flux parameterisation, time-dependent luminous flux control, constant luminous flux control, intelligent temperature release in ECG and LED module, overheat protection, mains connection: 220..240V, AC, 50/60Hz, surge voltage resistance: surge voltage resistance: 10kV (common mode); 6kV (differential mode), connection cable: pre-assembled, cable length: 6,5m, wiring characteristics: H07RN-F, 3G 1,5mm<sup>2</sup>, configuration: L/N/PE, luminaire housing, of diecast aluminium, powder-coated, SITECO metallic grey (DB 702S), corrosivity category C5 high according to DIN EN ISO 12944, no sealing on luminaire upper side, inclination: -15°..+20° (post-top) | -20°..+20° (side-entry), adjustable in 5° steps, multi-level sealing system, sealing non-destructively replaceable, mast flange for spigot size: 60/48mm (side-entry/post-top): 5XH10108XM2, 76/32mm (side-entry/post-top): 5XH10108XM3, mast flange, of diecast aluminium, coated, SITECO metallic grey (DB 702S), Smart Interface above: NEMA (7pin), protection rating (complete): IP66, insulation class (complete): insulation class I (protective earthing), certification: CE, ENEC, ENEC+, VDE, UKCA, impact resistance: IK10, permissible operating ambient temperature for outdoor applications: -40..+50°C, standard-compliant lighting for roads and squares, packaging unit: 1 piece



Lamps: LED  
 Wt. (kg): 5.7  
 GTIN (EAN): 4069025511089



Order No.: 5XH1D35N08EA | GTIN (EAN): 4069025511089

Detailed technical description: SL31mc,S100003,5280lm730,D4iDR,N7a



### Key data

- Product type: mast luminaire
- Product name: Streetlight SL 31 micro
- Order No.: 5XH1D35N08EA

### Lighting technology | Lamps | Control gear

#### Component 1

#### Lighting technology:

- Light control: lens of PMMA
- Cover: cover, transparent
- Light distribution: S100003
- Beam angle: wide distribution
- Symmetry: asymmetric distribution
- Light emission: direct distribution

#### Lamps:

- Lamps: with LED
- Rated values: 5280lm | 35.3W | 149.6lm/W (begin service life); end service life: 5280lm | 36.8W; at 50% lumin. flux: 2645lm | 16.3W | 162.3lm/W
- Colour temperature: 3000K
- Colour rendering index: CRI > 70
- Light colour: 730

#### Factory light settings (LS):

- begin service life:  
LS 1: 100% | 5280lm | 35.3W | 149.6lm/W | 3000K
- end service life:  
LS 1: 36.8W
- further light settings possible

#### Operating device:

- Control: D4i, Desk-Remote
- Smart Interface above: NEMA (7pin)
- Equipment: overheat protection, constant luminous flux control, time-dependent luminous flux control, flexible luminous flux parameterisation, intelligent temperature release in ECG and LED module, pre-setting: linear dimming characteristic

### Certificates, Standards

- Protection rating: IP66
- Insulation class: insulation class I (protective earthing)
- Impact resistance: IK10
- Temperature range (operation): -40..+50°C
- Supplement: standard-compliant lighting for roads and squares
- Corrosion protection: corrosivity category C5 high according to DIN EN ISO 12944
- Certification, designation: CE, ENEC, ENEC+, VDE, UKCA

### Material, Colour

- luminaire housing: diecast aluminium, powder-coated, SITECO metallic grey (DB 702S), sealing non-destructively replaceable, multi-level sealing system, inclination: -15°..+20° (post-top) | -20°..+20° (side-entry), adjustable in 5° steps, no sealing on luminaire upper side
- mast flange: diecast aluminium, coated, SITECO metallic grey (DB 702S), mast flange included unmounted
- Cover: cover of toughened safety glass

### Mounting

- Mounting method, mounting location: side-entry, post-top, on mast

### Electrical connection

- Connection cable: pre-assembled, L= 6.5m, H07RN-F, 3G 1.5mm<sup>2</sup>, L/N/PE
- Nominal voltage: 220..240V, 50/60Hz, AC
- Surge voltage resistance: surge voltage resistance: 10kV (common mode); 6kV (differential mode)

### Dimensions, Weight

- Weight: 5.7kg
- Mast spigot: mast flange for spigot size: 60/48mm (side-entry/post-top): 5XH10108XM2, 76/32mm (side-entry/post-top): 5XH10108XM3

### Light emission

- Light emission: 0% at 0° inclination

**Order No.:** 5XH1D35N08EA | **GTIN (EAN):** 4069025511089

**Detailed technical description:** SL31mc,S100003,5280lm730,D4iDR,N7a

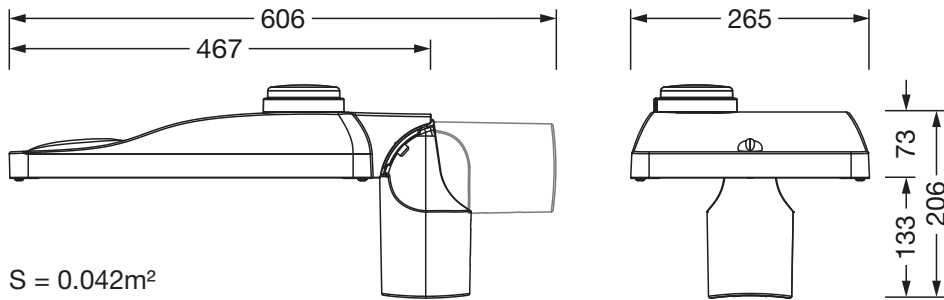


**Service life**

- Rated service life: 100000h (L96/B10)  
at AT = 25°C

Order No.: 5XH1D35N08EA | GTIN (EAN): 4069025511089

Dimensions: SL31mc,S100003,5280lm730,D4iDR,N7a



S = 0.042m<sup>2</sup>