

Order No.: 51SE63MA2EB2C | **GTIN (EAN):** 4069025447999

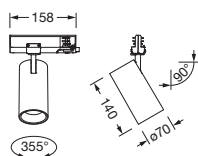
Product description: Spot21std,med,2070lm930,ML,70,sr



Spot 21 standard, directional spotlight, light control with lens, of PMMA, beam angle: medium distribution, LED rated luminous flux: 2.070lm, light colour: 930, with 3-phase adapter, mains connection: 220..240V, AC, 50/60Hz, of aluminium, metallic grey (RAL 9006), length: 162mm, diameter: 70mm, decorative ring, of PC, metallic grey (RAL 9006), protection rating (complete): IP20, insulation class (complete): insulation class II (safety insulation), certification: CE, impact resistance: IK02, permissible ambient temperature for indoor applications: -20..+25°C, packaging unit: 1 piece

IP 20  

| | |
|-------------|---------------|
| Lamps: | LED |
| Wt. (kg): | 0.4 |
| GTIN (EAN): | 4069025447999 |



Order No.: 51SE63MA2EB2C | **GTIN (EAN):** 4069025447999

Detailed technical description: Spot21std,med,2070lm930,ML,70,sr



Key data

- Product type: directional spotlight
- Product name: Spot 21 standard
- Order No.: 51SE63MA2EB2C

Lighting technology | Lamps | Control gear

Component 1

Lighting technology:

- Light control: lens of PMMA
- Beam angle: medium distribution
- Symmetry: symmetric

Lamps:

- Lamps: with LED
- Rated luminous flux: 2070lm
- Luminous efficacy: 140lm/W
- Colour temperature: 3000K
- Colour rendering index: CRI > 90
- Light colour: 930
- SDCM (Standard Deviation of Colour Matching): MacAdam ≤ 2 SDCM (initial)
- Rated input power: 14.8W
- Supplement: luminous flux adjustable on luminaire in 8 steps (1820/.../3410lm), connected load according to luminous flux setting (12.8/.../26.5W)

Operating device:

- Control: ON/OFF Multilumen

Certificates, Standards

- Protection rating: IP20
- Insulation class: insulation class II (safety insulation)
- Impact resistance: IK02
- Temperature range (operation): -20..+25°C
- Certification, designation: CE

Material, Colour

- decorative ring: PC, metallic grey (RAL 9006)

Mounting

- Mounting method, mounting location: slip-in mounting, in a 3-phase track

Electrical connection

- Connection: 3-phase adapter
- Nominal voltage: 220..240V, 50/60Hz, AC

Dimensions, Weight

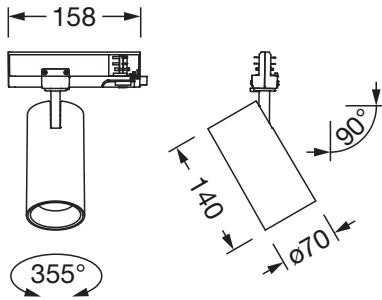
- Length: 162mm
- Diameter: 70mm
- Weight: 0.4kg

Service life

- Rated service life: 50000h (L90/B10) at AT = 25°C

Order No.: 51SE63MA2EB2C | GTIN (EAN): 4069025447999

Dimensions: Spot21std,med,2070lm930,ML,70,sr



It is mandatory that the assembly instructions must be observed when planning and installing the electrical installation (to be found at www.siteco.de)

Tolerances related to thermal, electrical and photometric data according to IEC 62722

Issued 22.05.2026 - Modifications and errors subject to change - Ensure that you always use the latest version -