

Order No.: 51SD14MB11B3B | **GTIN (EAN):** 4069025538611

Product description: Spot21Pe,wd,3130lm930,ML,90,wh



Spot 21 Performance, directional spotlight, light control with reflector, of aluminium, optical cover: cover panel, of glass, beam angle: wide distribution, LED rated luminous flux: 3.130lm, light colour: 930, with 3-phase adapter, mains connection: 220..240V, AC, 50/60Hz, of aluminium, traffic white (RAL 9016), length: 162mm, diameter: 90mm, decorative ring, of PC, traffic white (RAL 9016), protection rating (complete): IP20, insulation class (complete): insulation class II (safety insulation), certification: CE, impact resistance: IK02, permissible ambient temperature for indoor applications: -20..+25°C, packaging unit: 1 piece

IP 20  

Lamps:	LED
Wt. (kg):	0.6
GTIN (EAN):	4069025538611



Order No.: 51SD14MB11B3B | **GTIN (EAN):** 4069025538611

Detailed technical description: Spot21Pe,wd,3130lm930,ML,90,wh



Key data

- Product type: directional spotlight
- Product name: Spot 21 Performance
- Order No.: 51SD14MB11B3B

Lighting technology | Lamps | Control gear

Component 1

Lighting technology:

- Light control: reflector of aluminium
- Cover: cover panel
- Beam angle: wide distribution
- Symmetry: symmetric

Lamps:

- Lamps: with LED
- Rated luminous flux: 3130lm
- Luminous efficacy: 164lm/W
- Colour temperature: 3000K
- Colour rendering index: CRI > 90
- Light colour: 930
- SDCM (Standard Deviation of Colour Matching): MacAdam \leq 2 SDCM (initial)
- Rated input power: 19.1W
- Supplement: luminous flux adjustable on luminaire in 8 steps (2220/.../4300lm), connected load according to luminous flux setting (13.4/.../27W)

Operating device:

- Control: ON/OFF Multilumen

Certificates, Standards

- Protection rating: IP20
- Insulation class: insulation class II (safety insulation)
- Impact resistance: IK02
- Temperature range (operation): -20...+25°C
- Certification, designation: CE

Material, Colour

- decorative ring: PC, traffic white (RAL 9016)
- Cover: cover panel of glass

Mounting

- Mounting method, mounting location: slip-in mounting, in a 3-phase track

Electrical connection

- Connection: 3-phase adapter
- Nominal voltage: 220...240V, 50/60Hz, AC

Dimensions, Weight

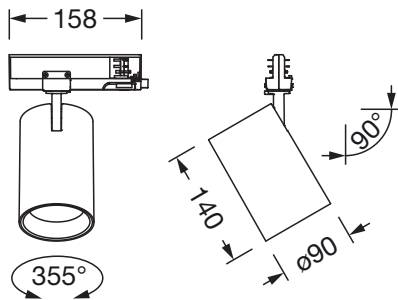
- Length: 162mm
- Diameter: 90mm
- Weight: 0.6kg

Service life

- Rated service life: 100000h (L80/B10) at AT = 25°C, 50000h (L90/B10) at AT = 25°C

Order No.: 51SD14MB11B3B | GTIN (EAN): 4069025538611

Dimensions: Spot21Pe,wd,3130lm930,ML,90,wh



It is mandatory that the assembly instructions must be observed when planning and installing the electrical installation (to be found at www.siteco.de)

Tolerances related to thermal, electrical and photometric data according to IEC 62722

Issued 15.05.2026 - Modifications and errors subject to change - Ensure that you always use the latest version -