

**Order No.:** 51SE32MB11C2C | **GTIN (EAN):** 4069025447395

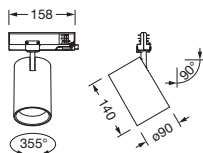
**Product description:** Spot21std,nrrw,2880lm935,ML,90,bk



Spot 21 standard, directional spotlight, light control with reflector, of aluminium, optical cover: cover panel, of glass, beam angle: narrow distribution, LED rated luminous flux: 2.880lm, light colour: 935, with 3-phase adapter, mains connection: 220..240V, AC, 50/60Hz, of aluminium, jet black (RAL 9005), length: 162mm, diameter: 90mm, decorative ring, of PC, jet black (RAL 9005), protection rating (complete): IP20, insulation class (complete): insulation class II (safety insulation), certification: CE, impact resistance: IK02, permissible ambient temperature for indoor applications: -20..+25°C, packaging unit: 1 piece

IP 20  

Lamps:	LED
Wt. (kg):	0.6
GTIN (EAN):	4069025447395



**Order No.:** 51SE32MB11C2C | **GTIN (EAN):** 4069025447395

**Detailed technical description:** Spot21 std,nrrw,2880lm935,ML,90,bk



#### Key data

- Product type: directional spotlight
- Product name: Spot 21 standard
- Order No.: 51SE32MB11C2C

#### Lighting technology | Lamps | Control gear

#### Component 1

#### Lighting technology:

- Light control: reflector of aluminium
- Cover: cover panel
- Beam angle: narrow distribution
- Symmetry: symmetric

#### Lamps:

- Lamps: with LED
- Rated luminous flux: 2880lm
- Luminous efficacy: 156lm/W
- Colour temperature: 3500K
- Colour rendering index: CRI > 90
- Light colour: 935
- SDCM (Standard Deviation of Colour Matching): MacAdam  $\leq$  2 SDCM (initial)
- Rated input power: 18.5W
- Supplement: luminous flux adjustable on luminaire in 8 steps (2070/.../3880lm), connected load according to luminous flux setting (12.9/.../26.5W)

#### Operating device:

- Control: ON/OFF Multilumen

#### Certificates, Standards

- Protection rating: IP20
- Insulation class: insulation class II (safety insulation)
- Impact resistance: IK02
- Temperature range (operation): -20...+25°C
- Certification, designation: CE

#### Material, Colour

- decorative ring: PC, jet black (RAL 9005)
- Cover: cover panel of glass

#### Mounting

- Mounting method, mounting location: slip-in mounting, in a 3-phase track

#### Electrical connection

- Connection: 3-phase adapter
- Nominal voltage: 220...240V, 50/60Hz, AC

#### Dimensions, Weight

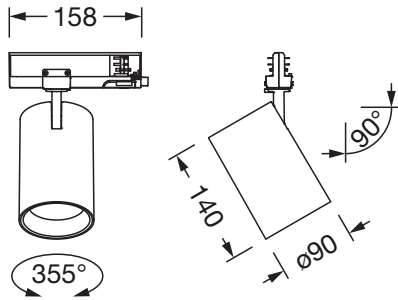
- Length: 162mm
- Diameter: 90mm
- Weight: 0.6kg

#### Service life

- Rated service life: 50000h (L90/B10) at AT = 25°C

Order No.: 51SE32MB11C2C | GTIN (EAN): 4069025447395

Dimensions: Spot21std,nrrw,2880lm935,ML,90,bk



It is mandatory that the assembly instructions must be observed when planning and installing the electrical installation (to be found at [www.siteco.de](http://www.siteco.de))

Tolerances related to thermal, electrical and photometric data according to IEC 62722

Issued 22.05.2026 - Modifications and errors subject to change - Ensure that you always use the latest version -