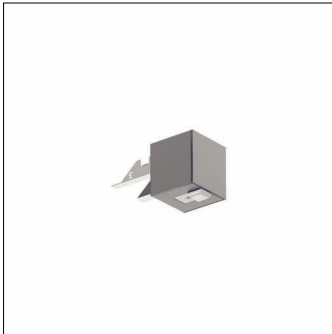


Order No.: 59MX2CW000SA | GTIN (EAN): 4058352608876

Product description: Sil21,SensMoPC3S,l0kCtrl,PIR-sens



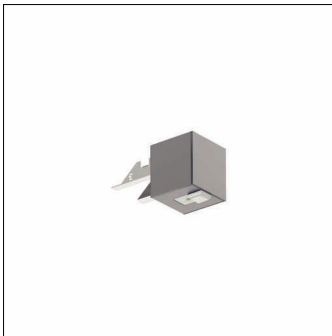
Silica® 21, sensor module PC3-S, slave,local control installation type: slip-in mounting, installation location: to the luminaire, of extruded aluminium section, protection rating (complete): IP20, insulation class (complete): insulation class I (protective earthing), certification: CE, 1 x PIR movement sensor, 1 x light sensor, packaging unit: 1 piece

IP 20  

Wt. (kg): 999.0
GTIN (EAN): 4058352608876

Order No.: 59MX2CW000SA | GTIN (EAN): 4058352608876

Detailed technical description: Sil21,SensMoPC3S,IokCtrl,PIR-sens



Key data

- System family: SITECO Connect Wireless
- Product type: lighting management components
- Product name: Silica® 21
- Order No.: 59MX2CW000SA

Lighting technology | Lamps | Control gear

Component 1

Operating device:

- Control: Bluetooth® mesh 4.2

Certificates, Standards

- Protection rating: IP20
- Insulation class: insulation class I (protective earthing)
- Temperature range (operation): 0..+40°C
- Certification, designation: CE

Material, Colour

- housing: extruded aluminium section, anodised, metallic grey (RAL 9006)
- Colour specification: metallic grey (RAL 9006)

Mounting

- Mounting method, mounting location: slip-in mounting, to the luminaire
- Mounting height: 2.5..5m
- Supplement: for surface-mounted luminaires, for pendant luminaires

Dimensions, Weight

- Width: 53mm
- Height: 53mm
- Weight: 999.0kg

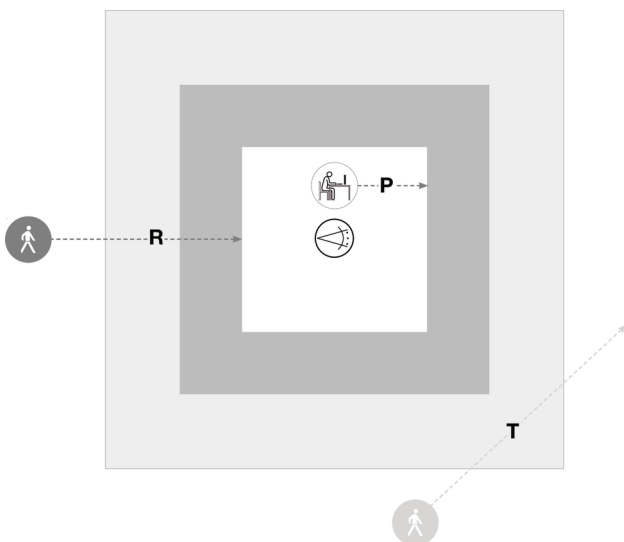
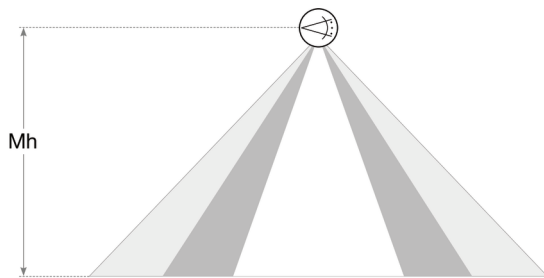
Inputs

1x PIR movement sensor

- Connection: PIR sensor (passive-infrared)

Order No.: 59MX2CW000SA | GTIN (EAN): 4058352608876

Dimensions: Sil21,SensMoPC3S,IokCtrl,PIR-sens



Sensor PS3

Mh	R	T	P
2,8m	4x4m	ca. 4x5m	ca. 2x2m

It is mandatory that the assembly instructions must be observed when planning and installing the electrical installation (to be found at www.siteco.de)
 Issued 20.03.2022 - Modifications and errors subject to change - Ensure that you always use the latest version -