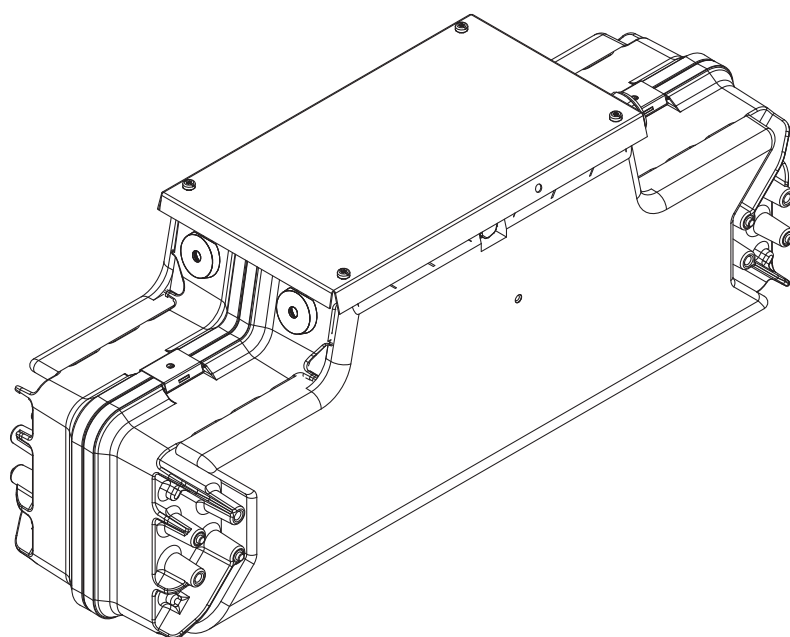


SIRIUS®

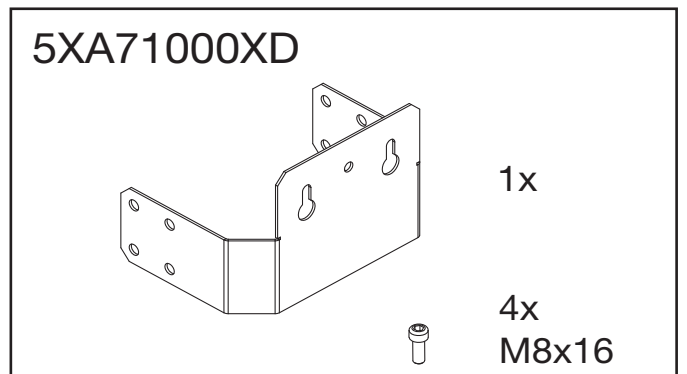
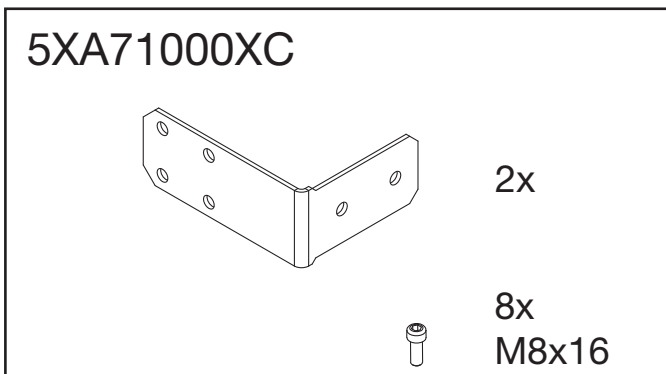
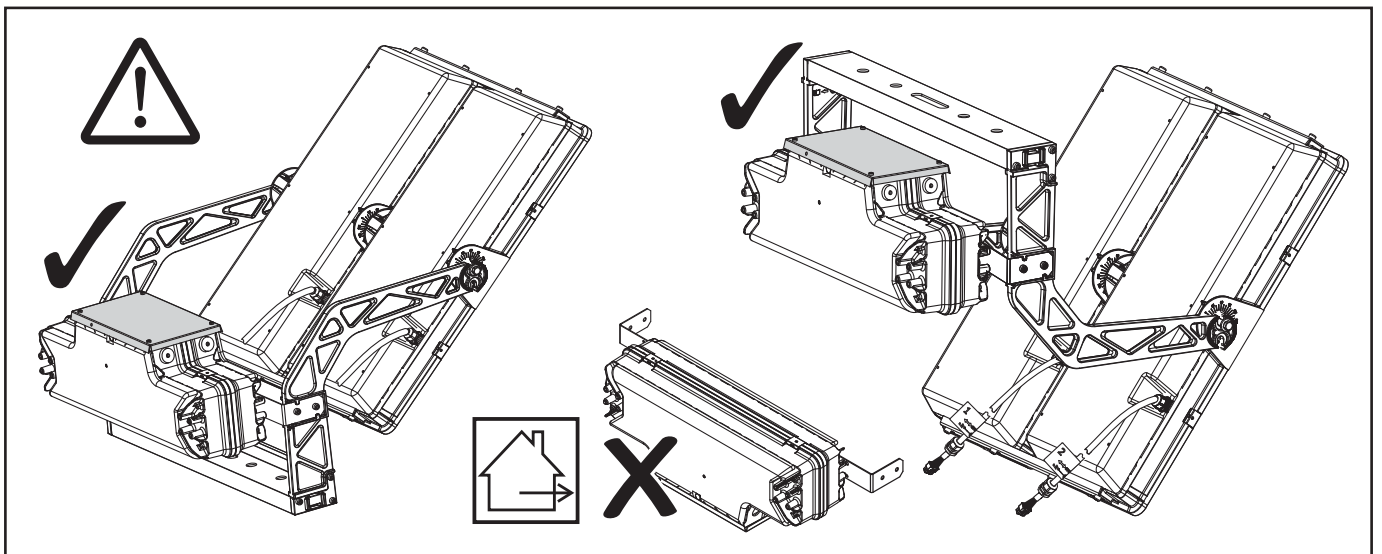
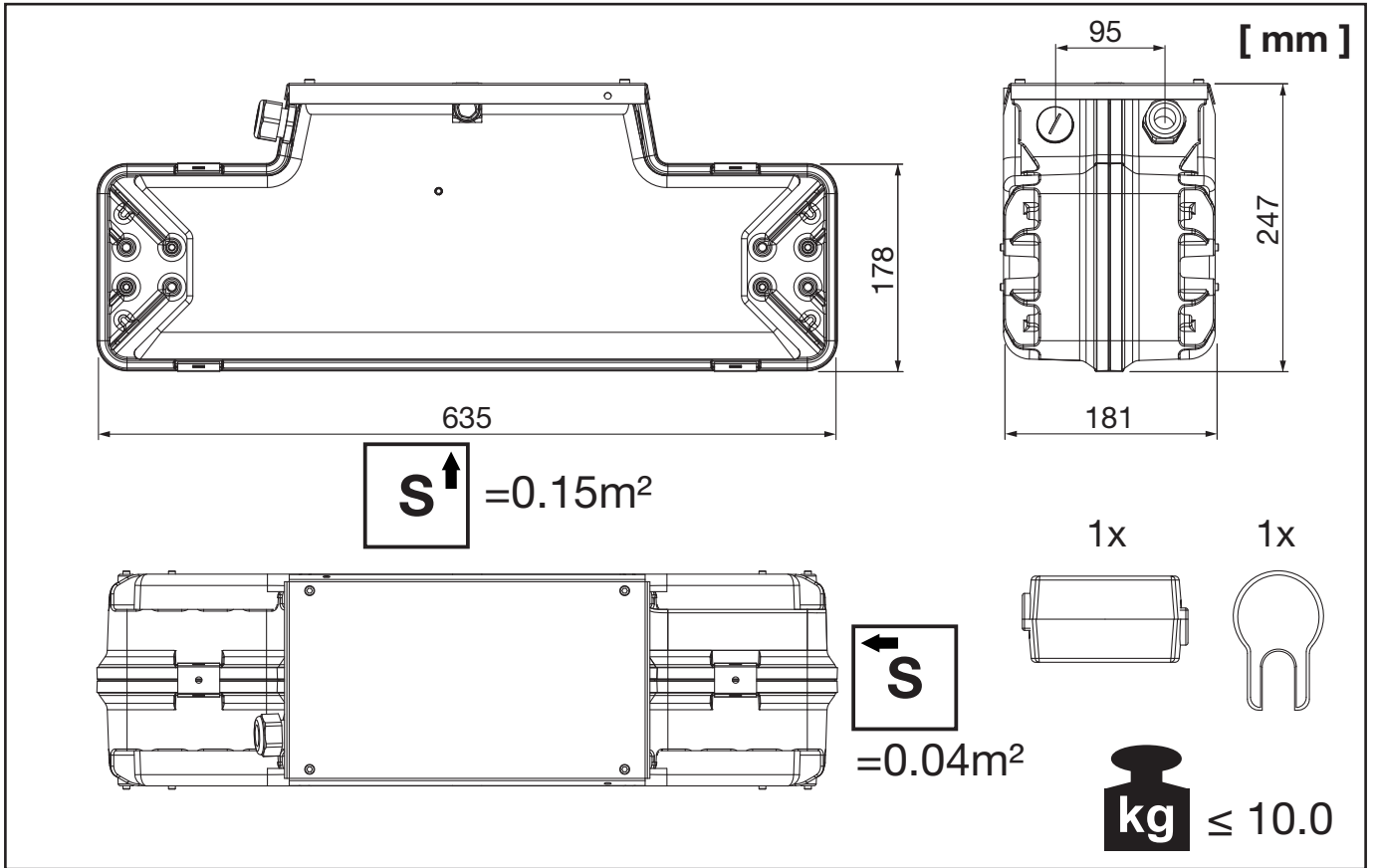
EVG-Einheit DMX / ECG unit DMX

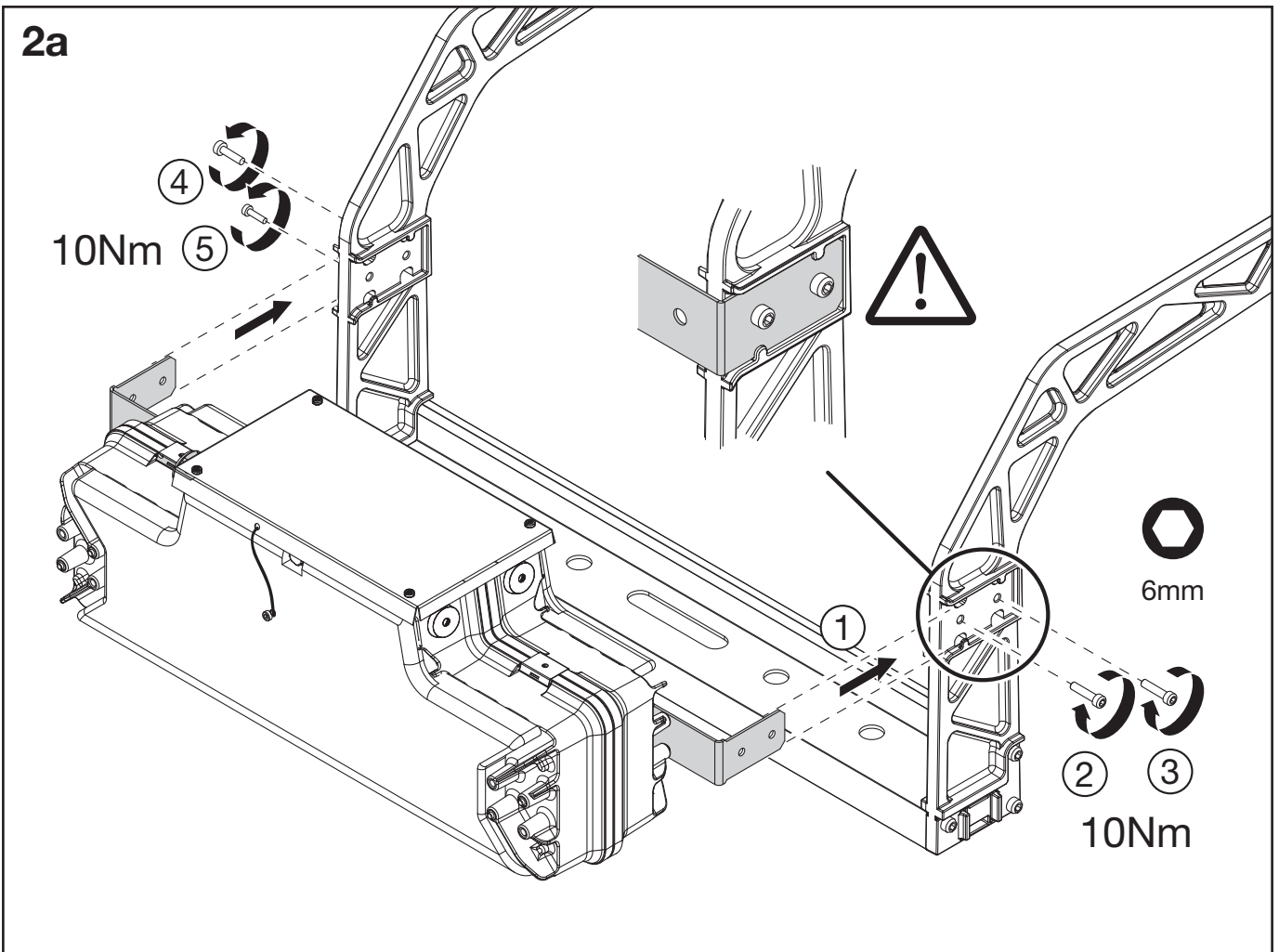
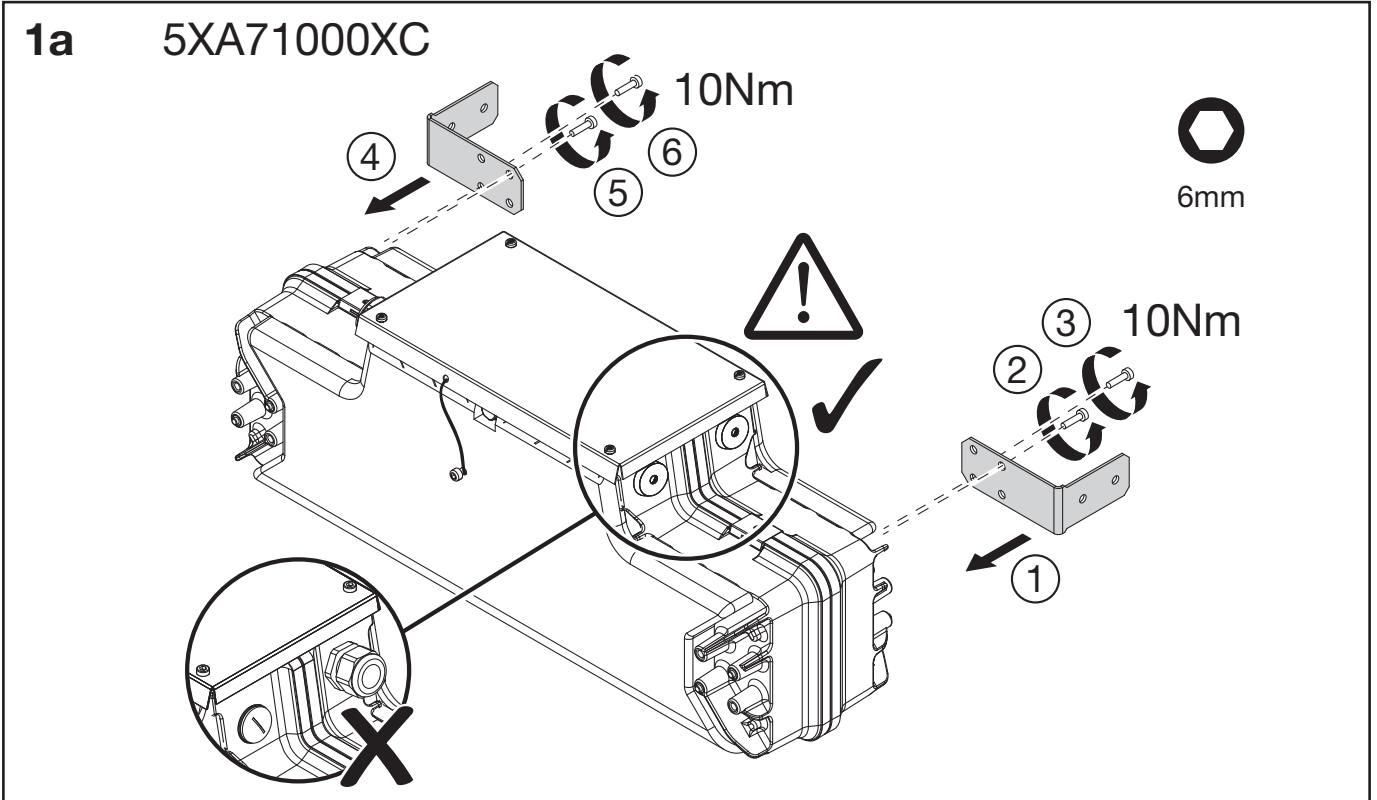
5XA7106W01000

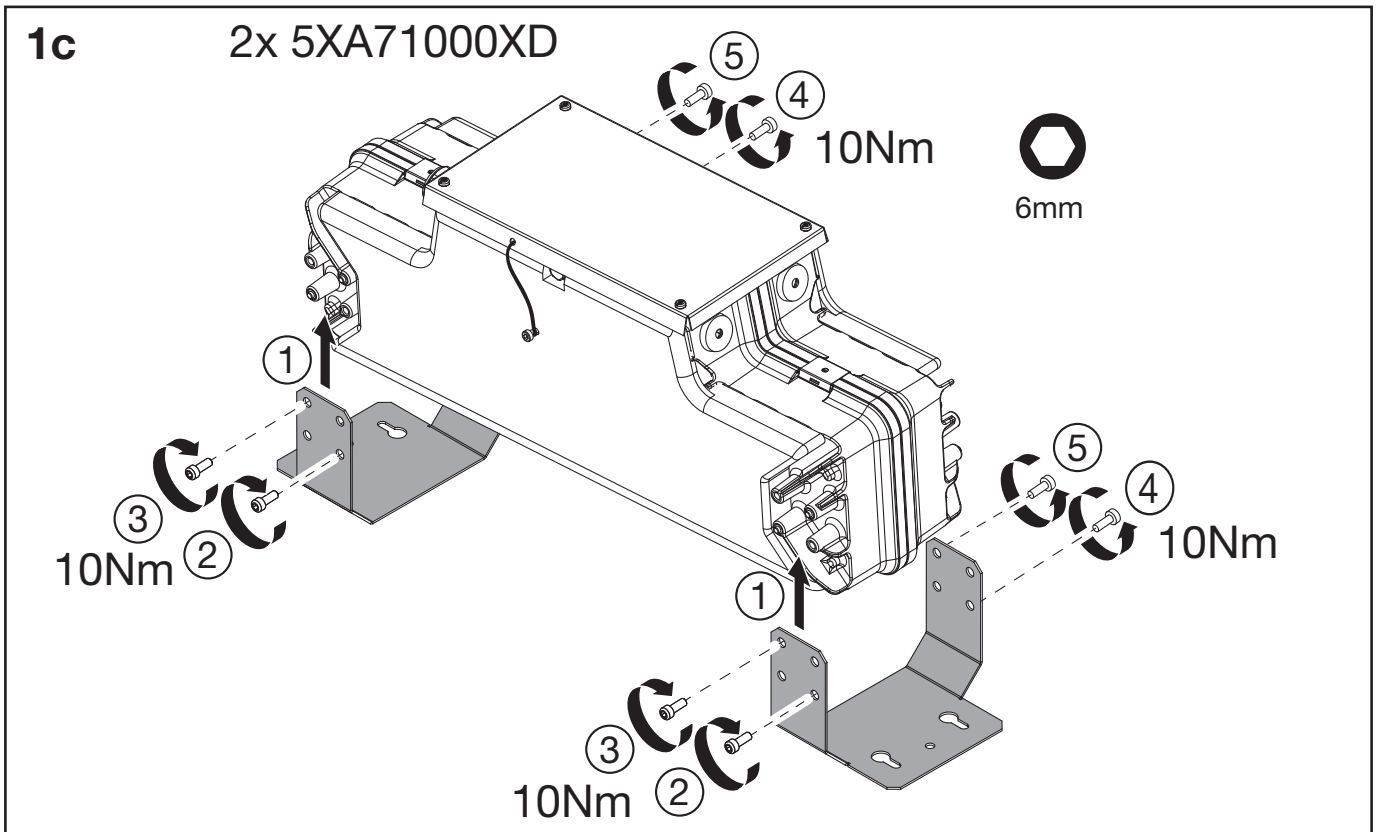
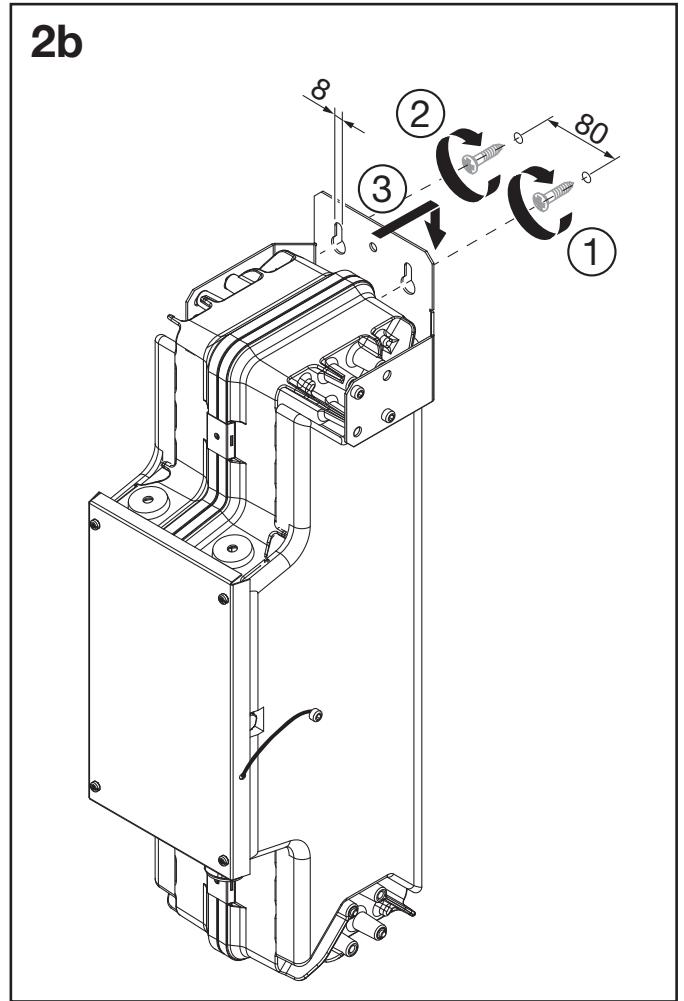
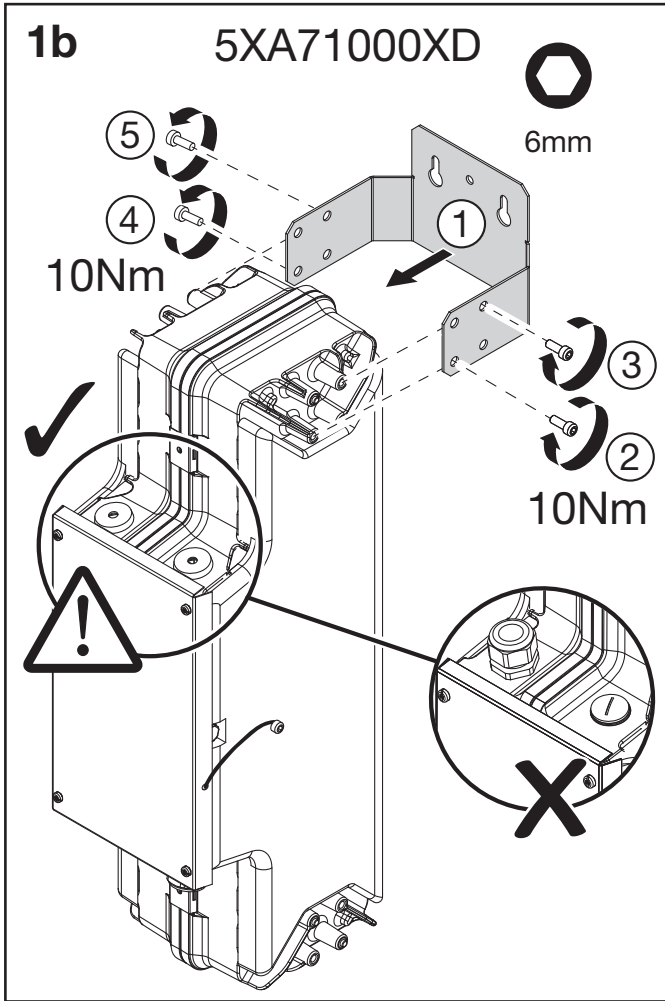


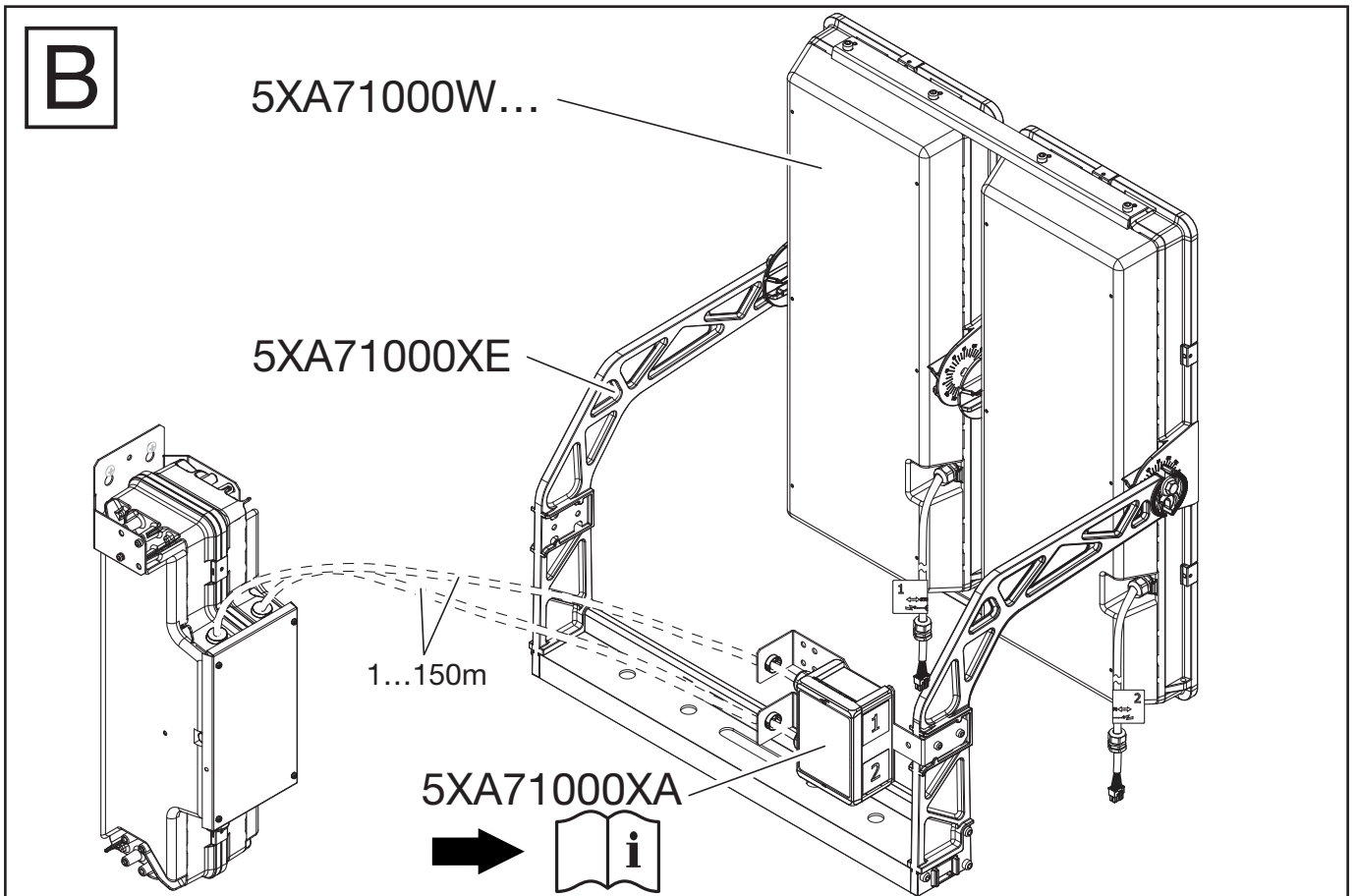
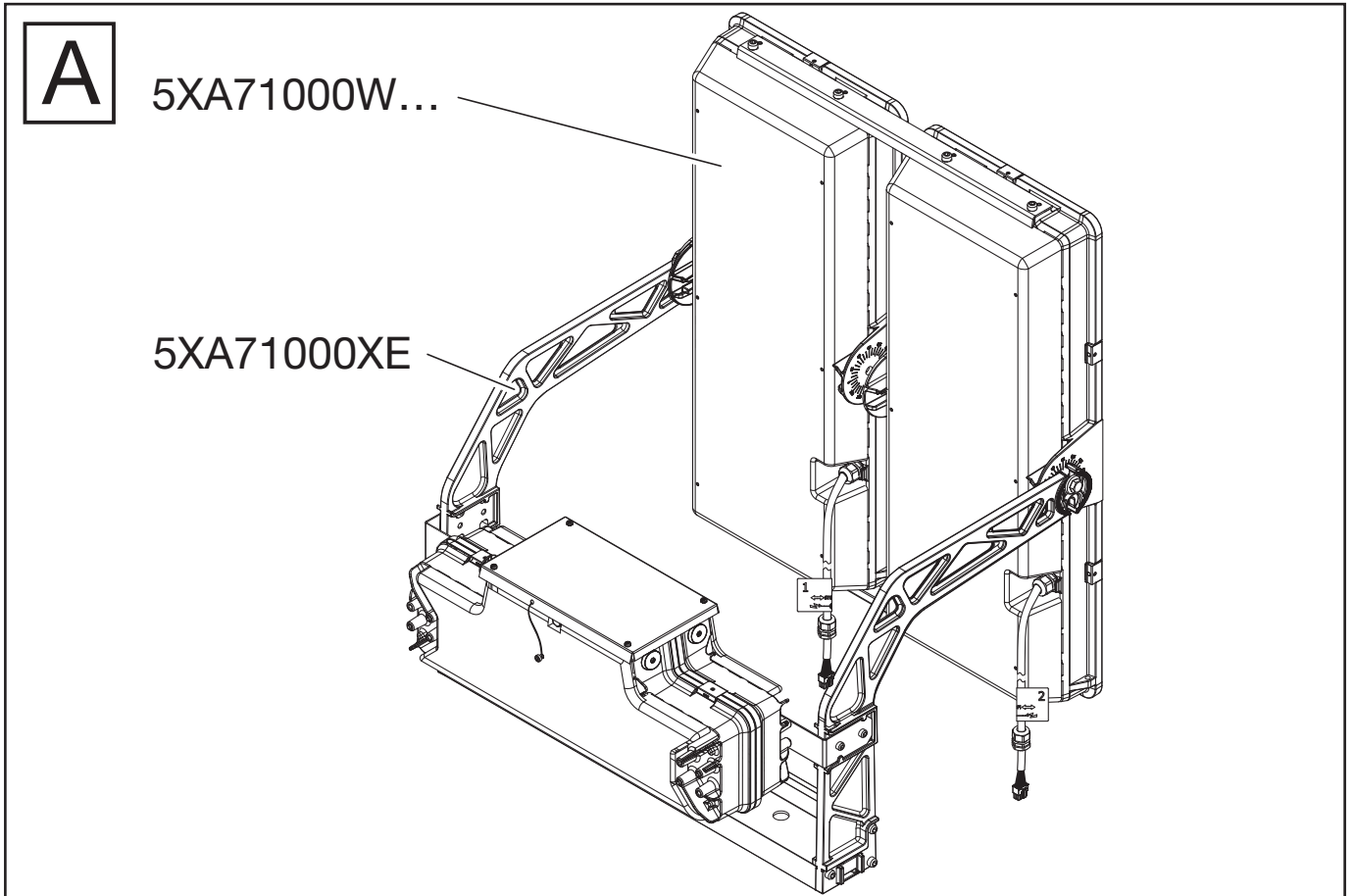
siteco

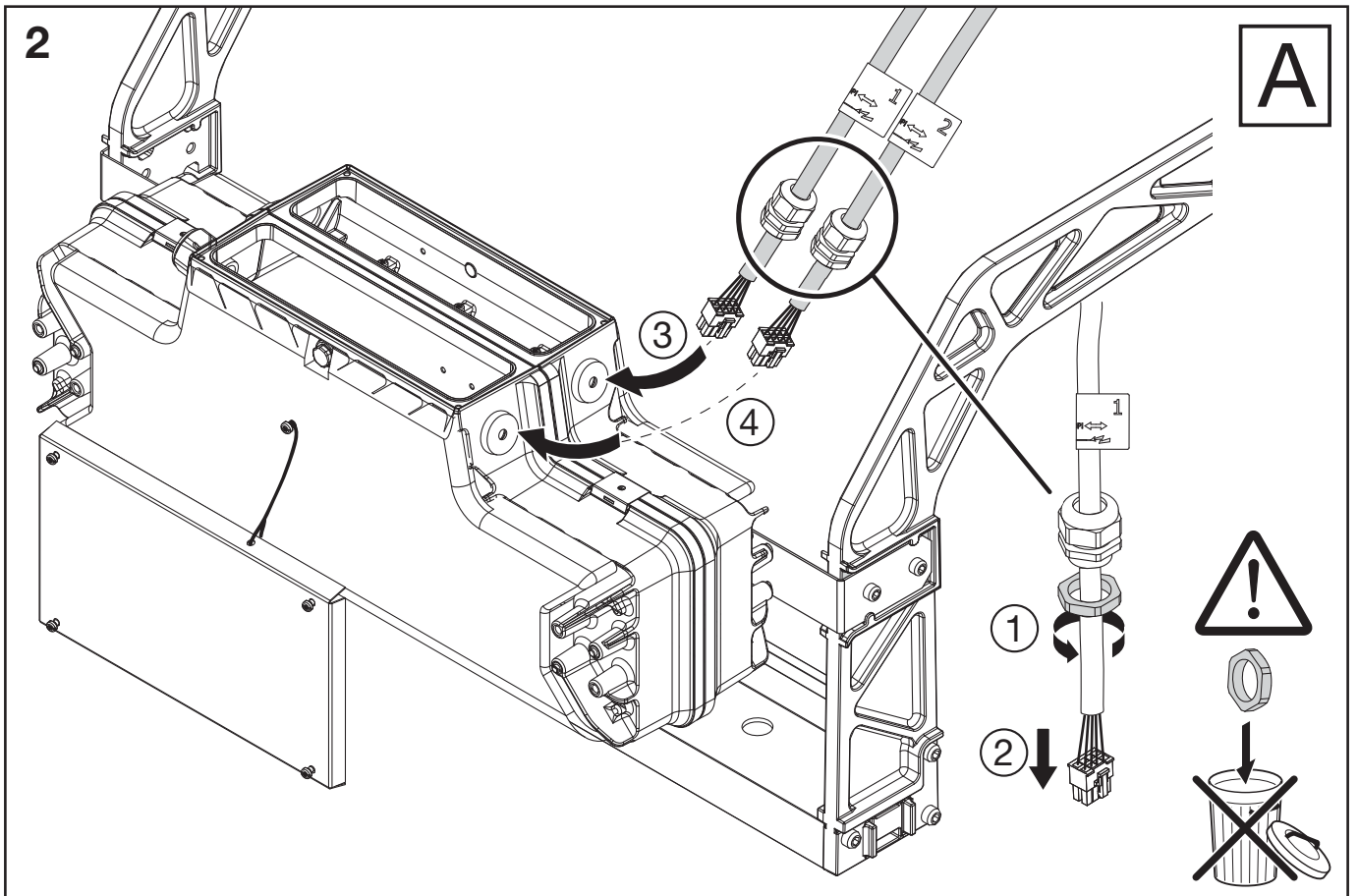
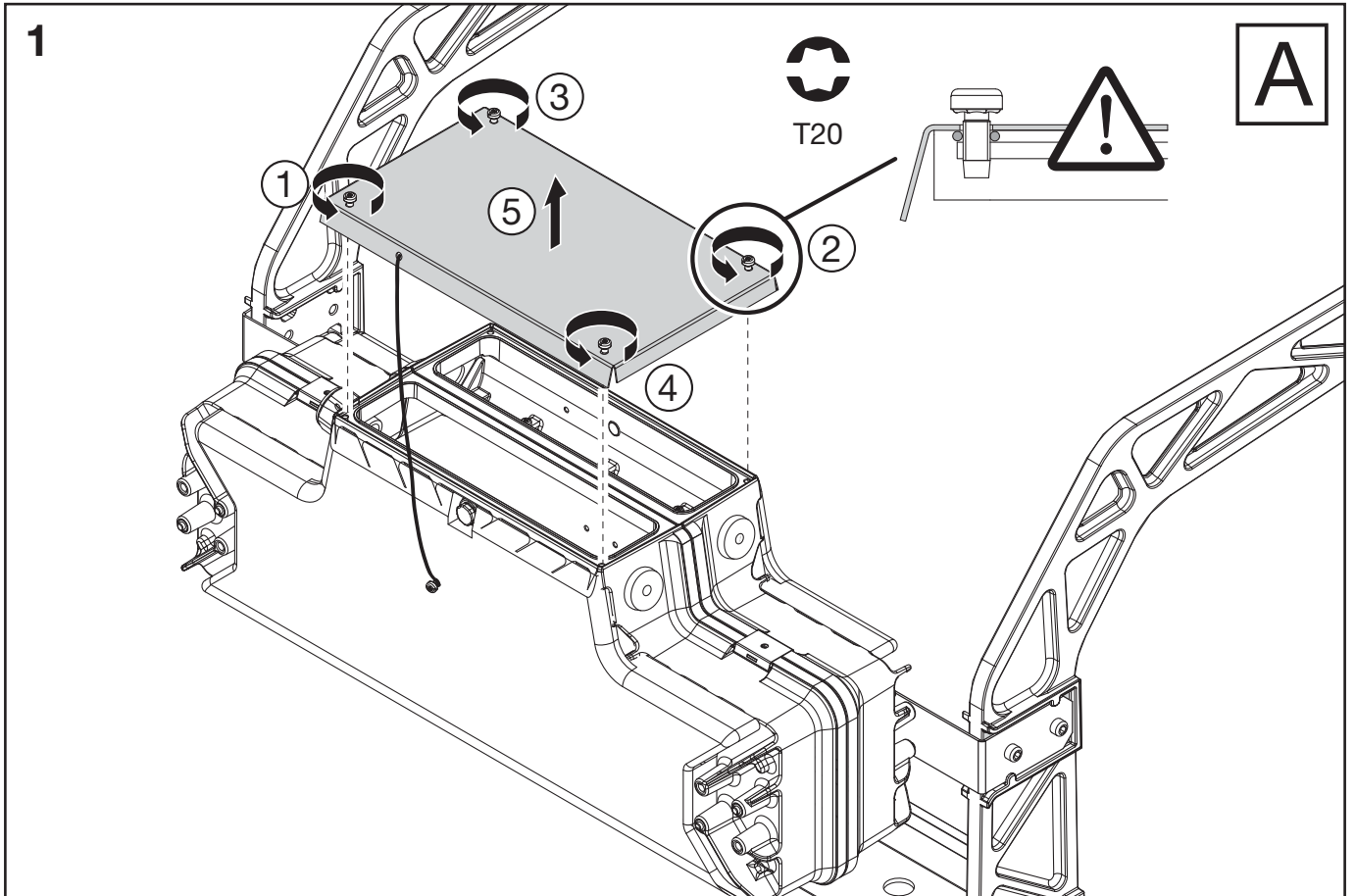
SIRIUS EVG-Einheit DMX/ECG unit DMX

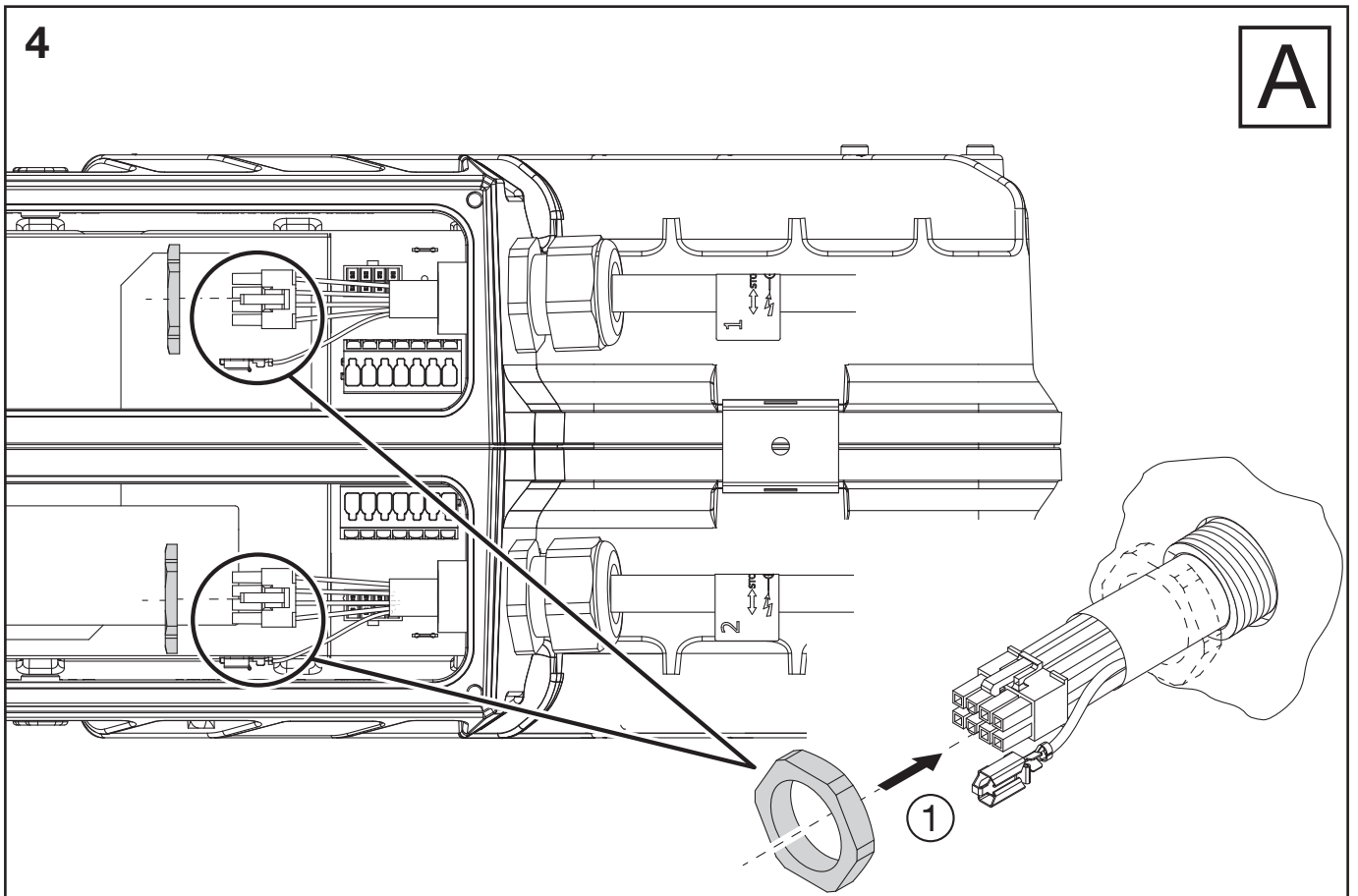
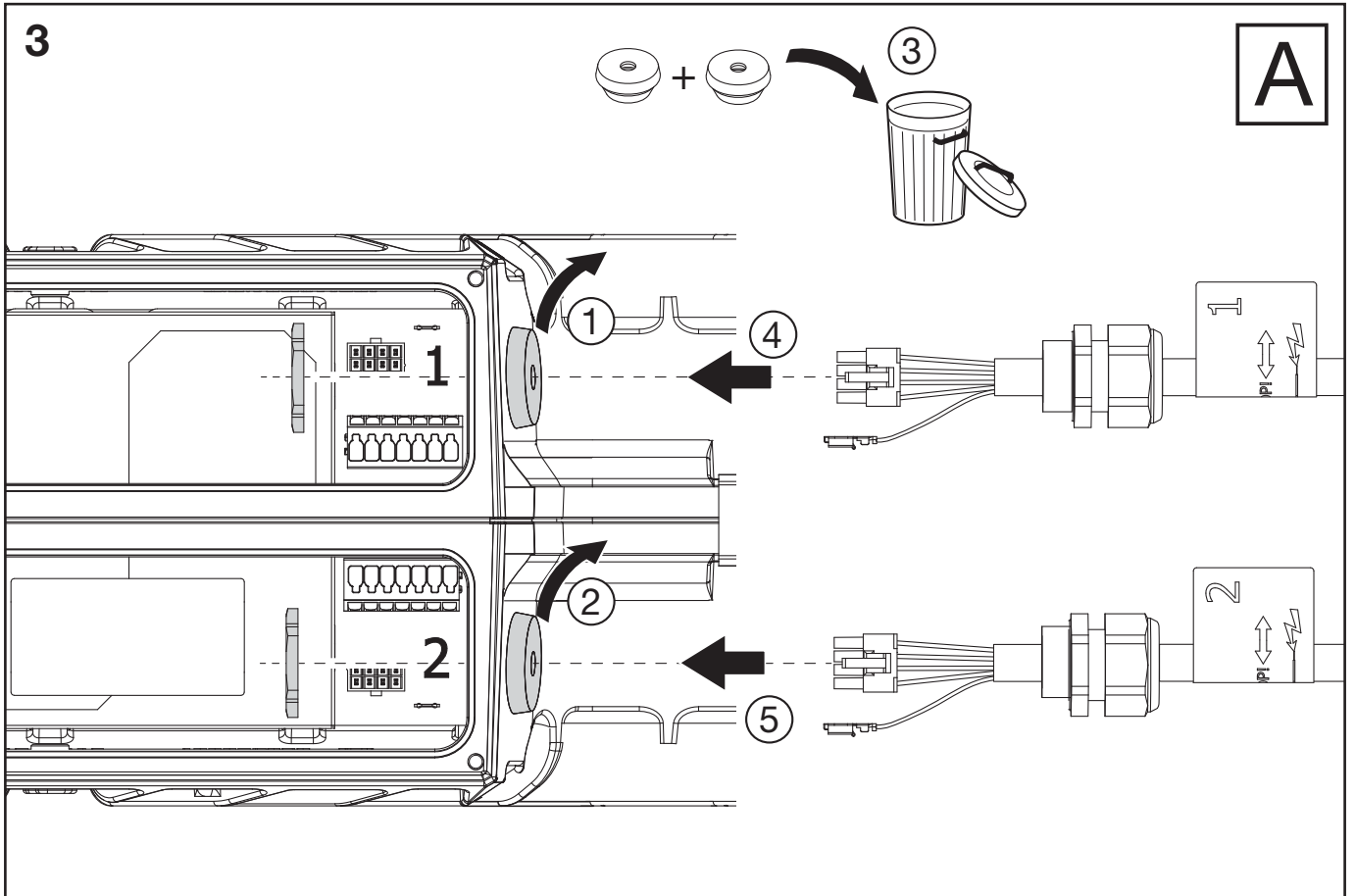




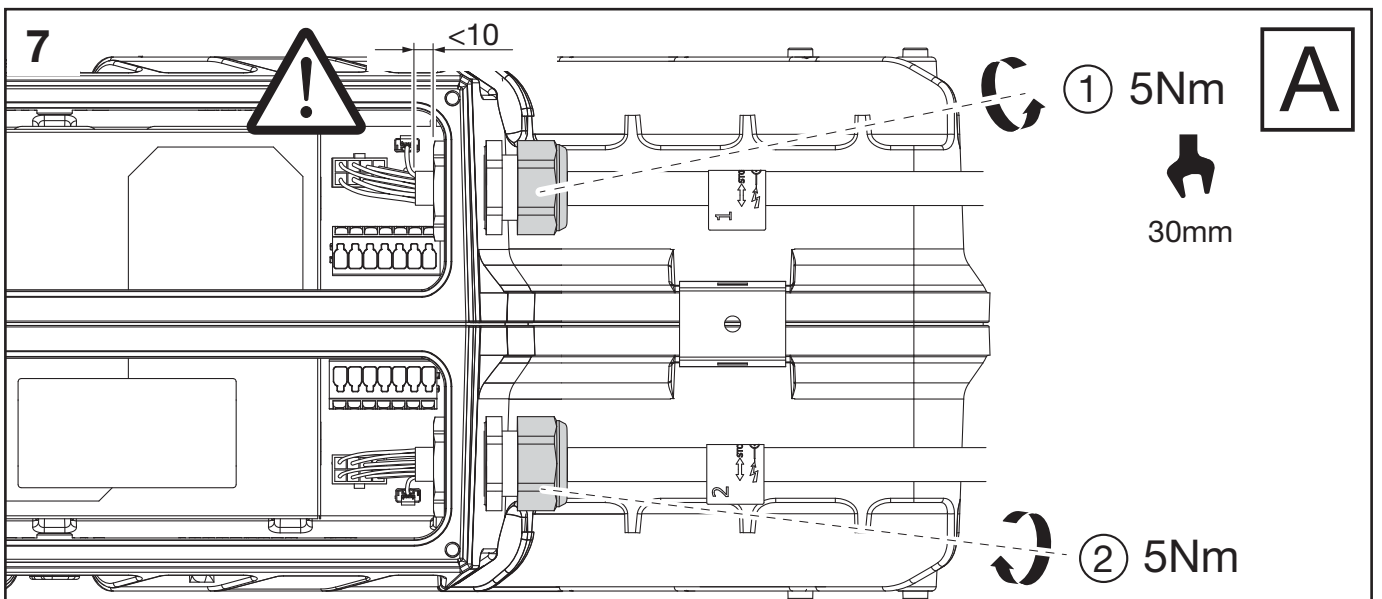
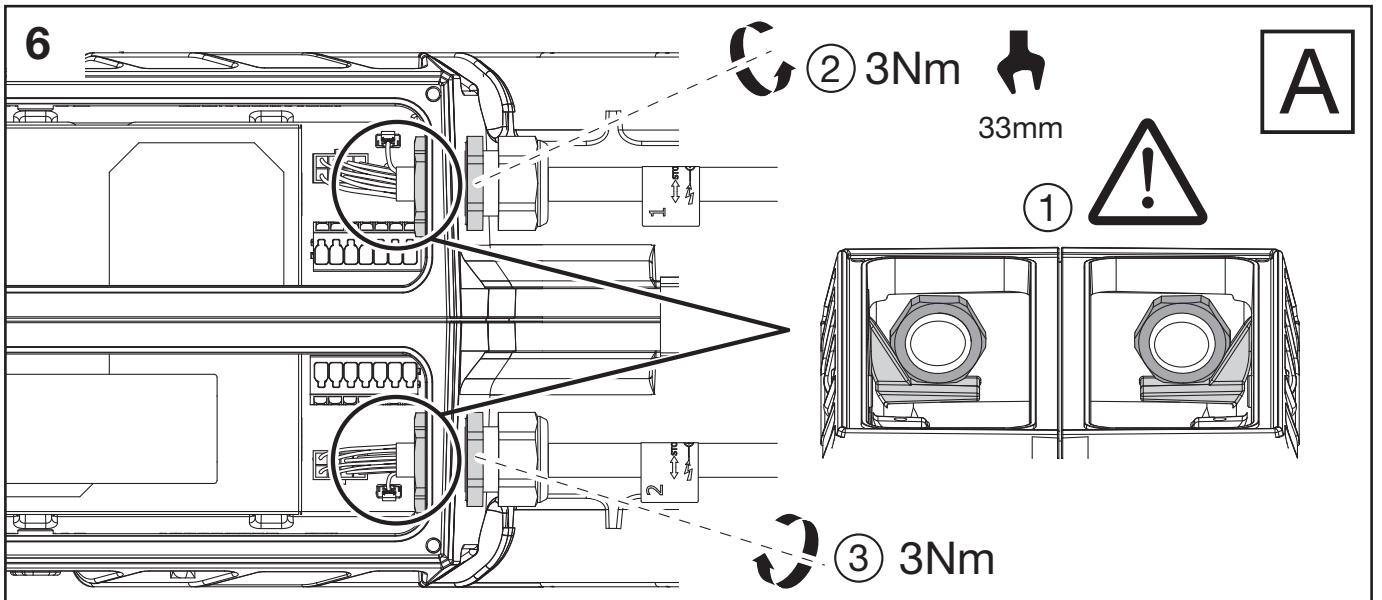
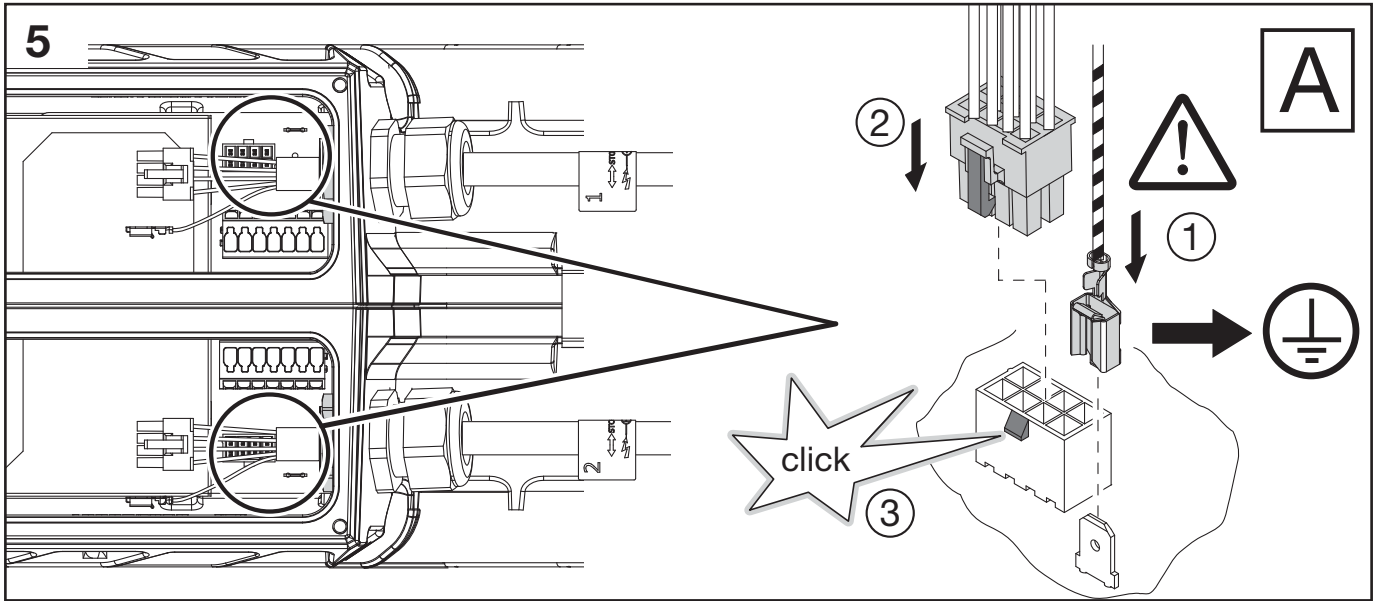


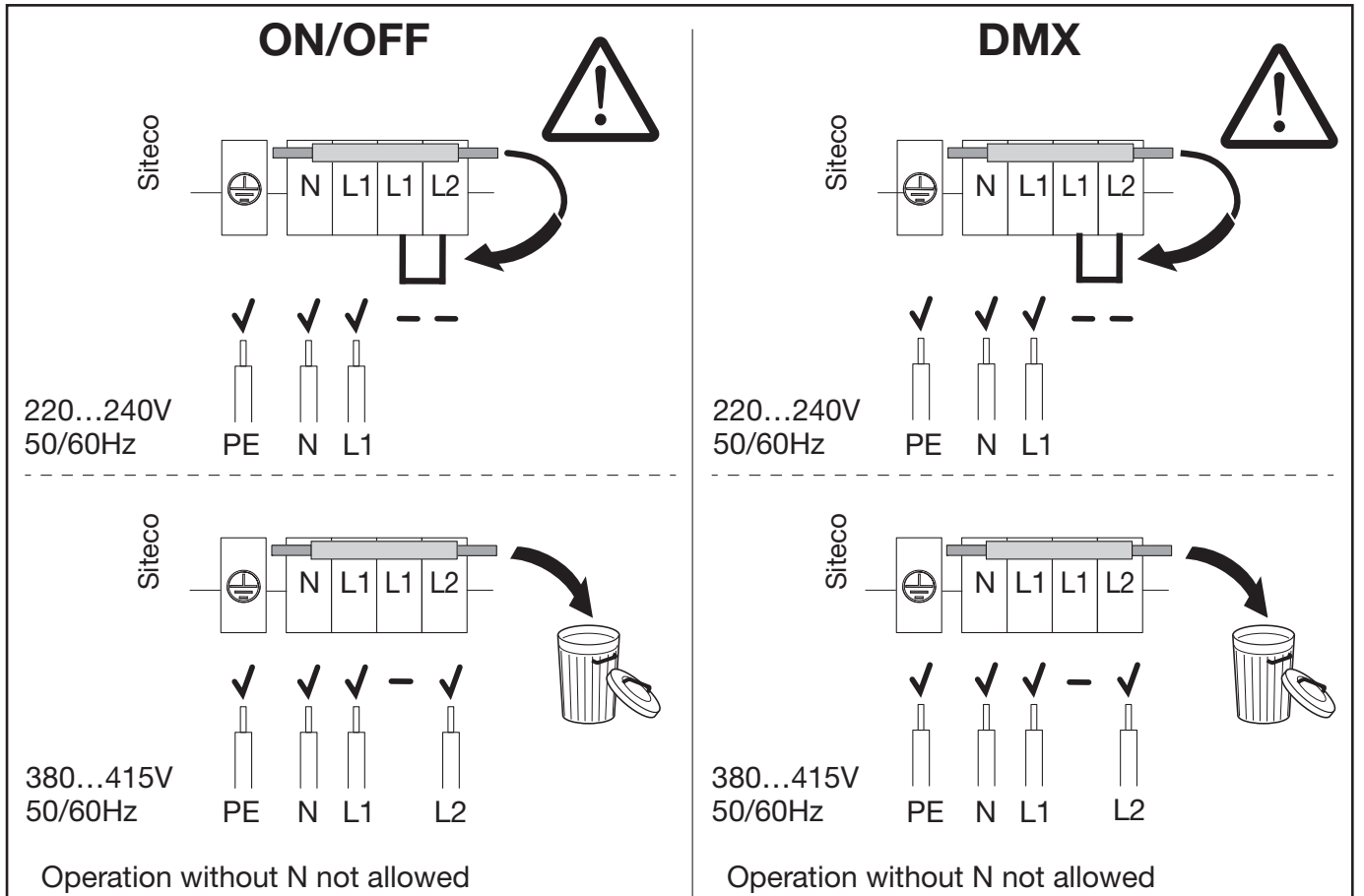
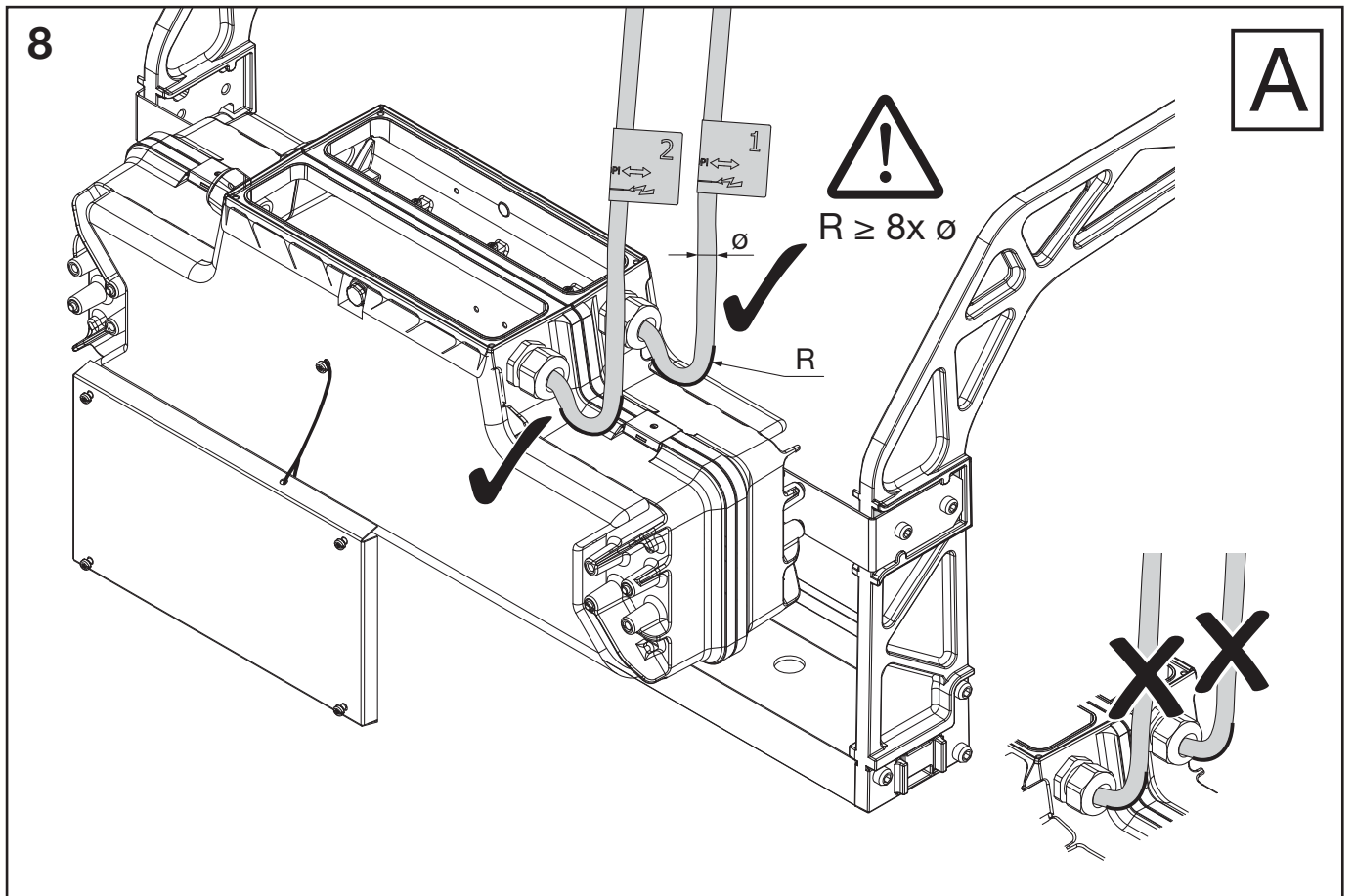


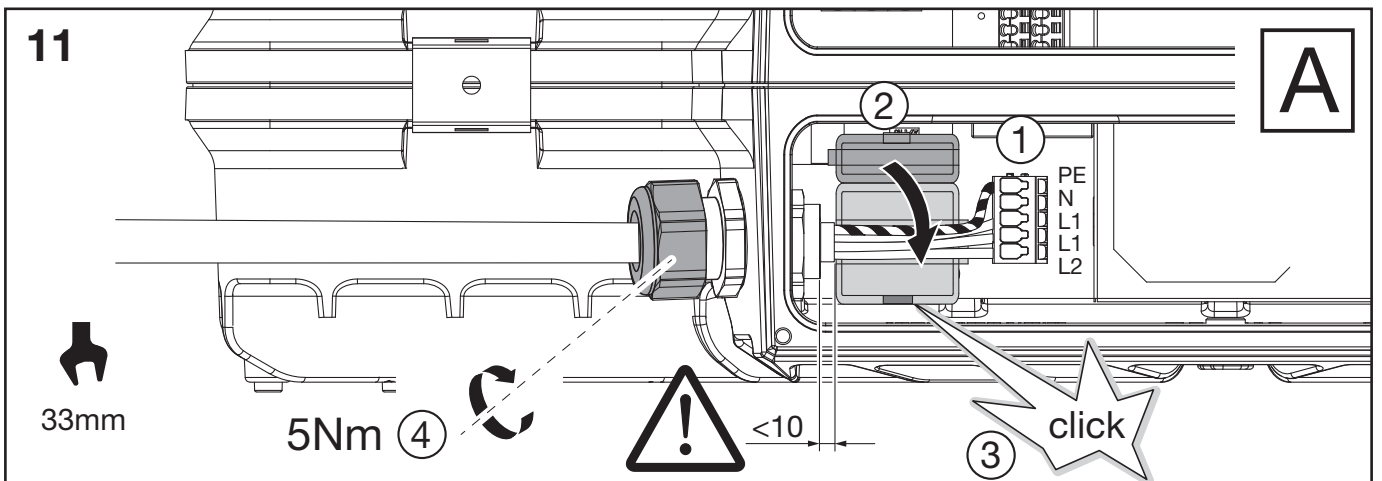
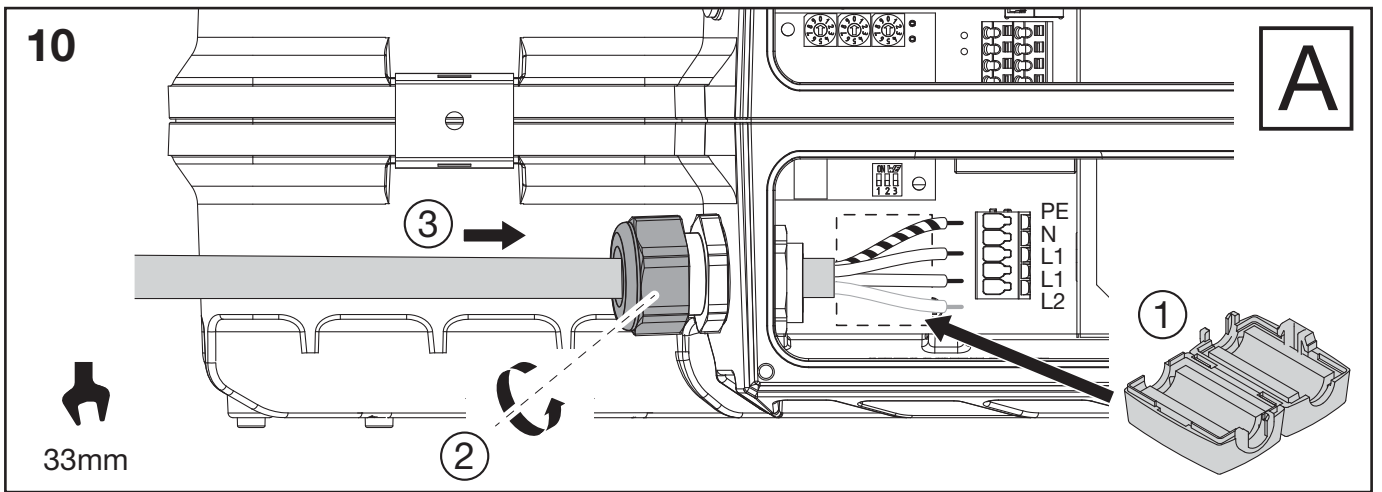
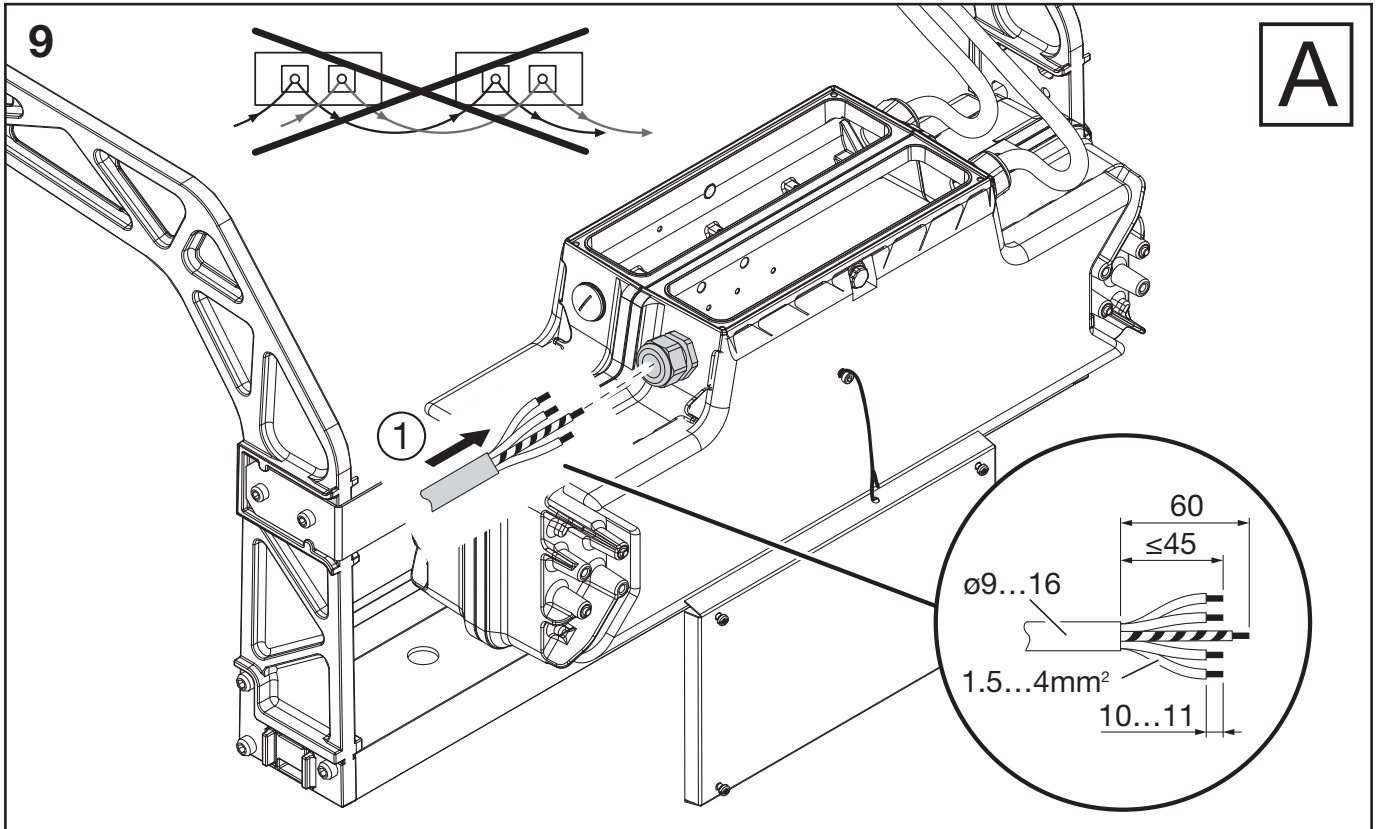


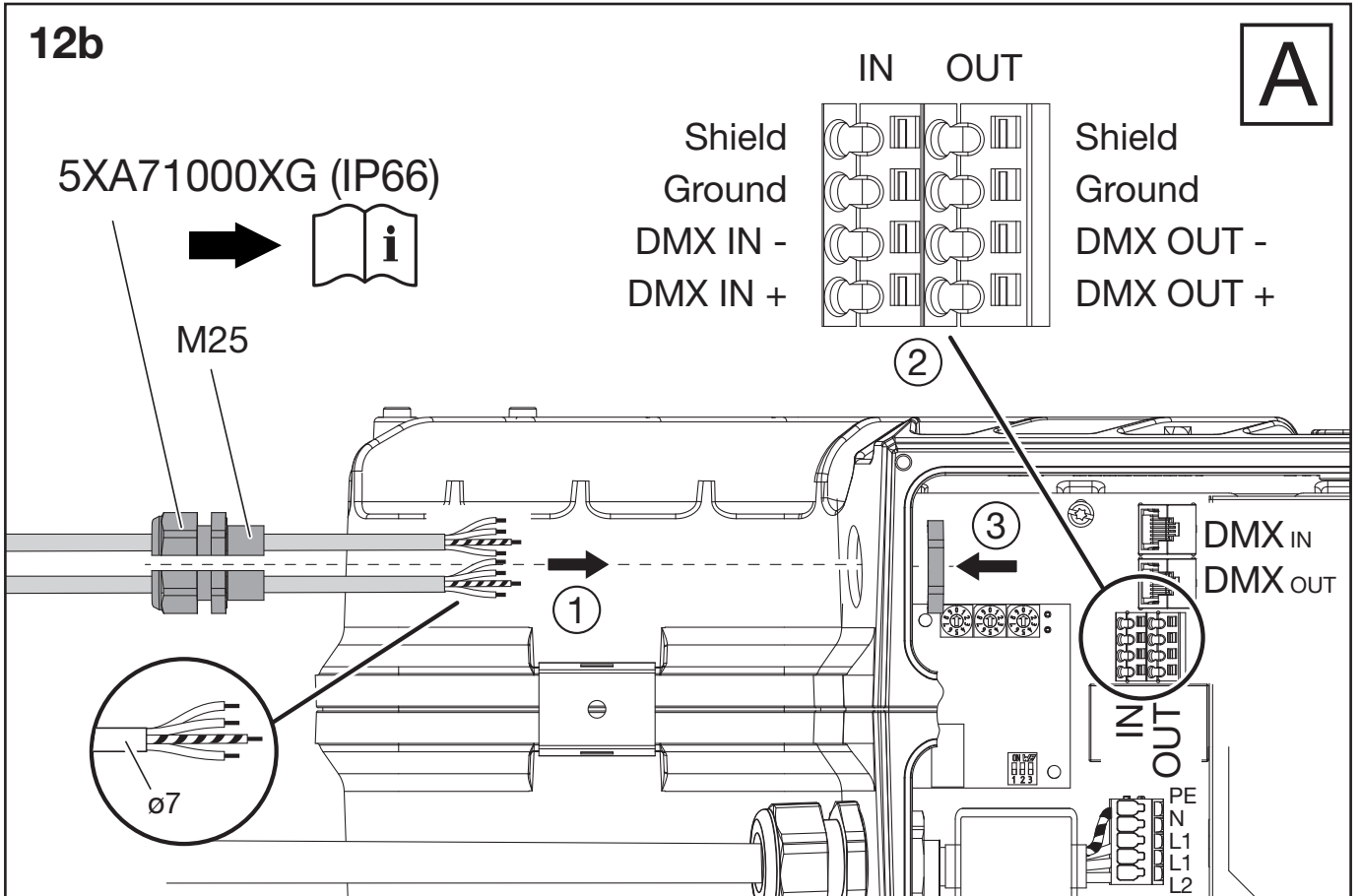
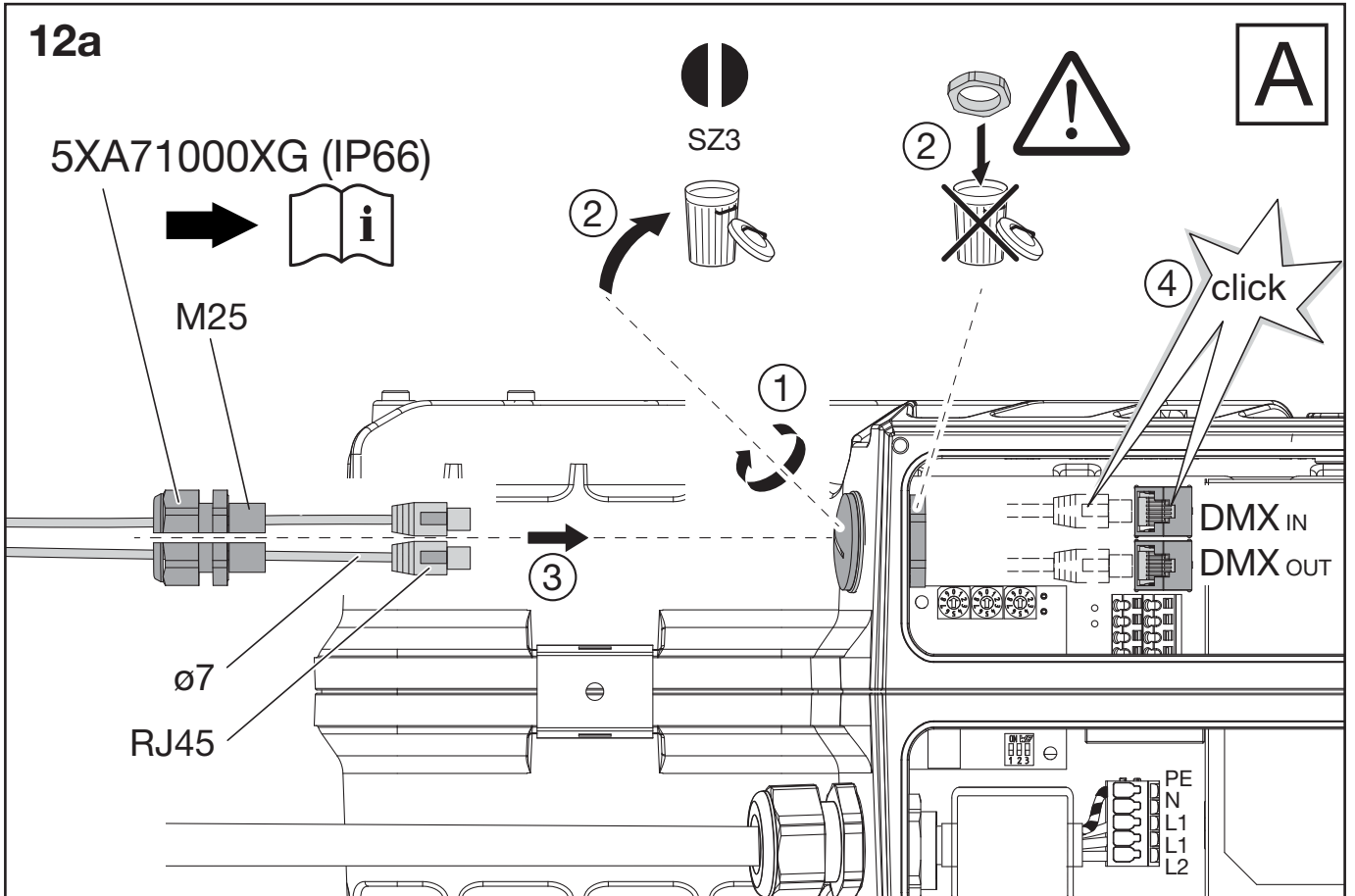


SIRIUS EVG-Einheit DMX/ECG unit DMX




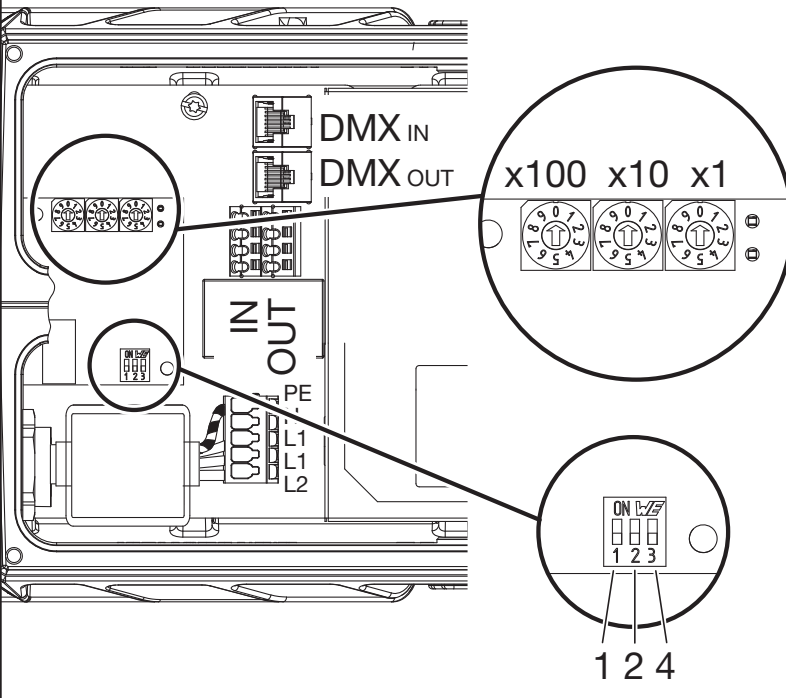






13

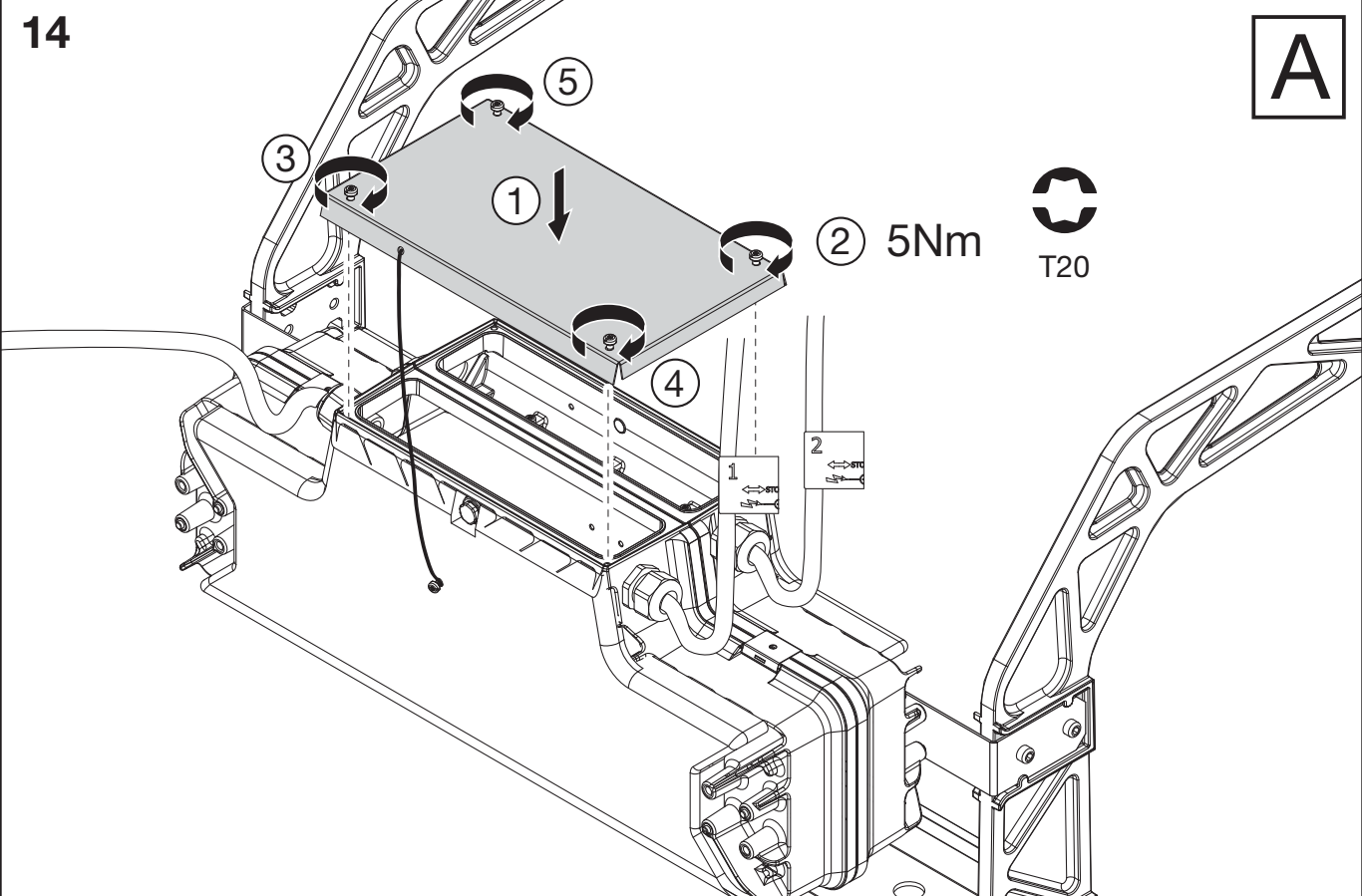
DMX 512 DMX 256 DMX 128  No end resistor required. A




x100	x10	x1	Address	
0	0	0	000	Default Value Auto Addressing
0	0	1	001	First Address
1	2	3	123	Sample
4	2	6	426	Sample
5	1	2	512	Last Address
513 - 999			Value	Auto Addressing

1	2	4	Value	
0	0	4	4	Default Value 4 Addresses per Lum
1	0	0	1	1 Address per Lum
0	2	0	2	2 Addresses per Lum

14



① ↓

② 5Nm  T20

③

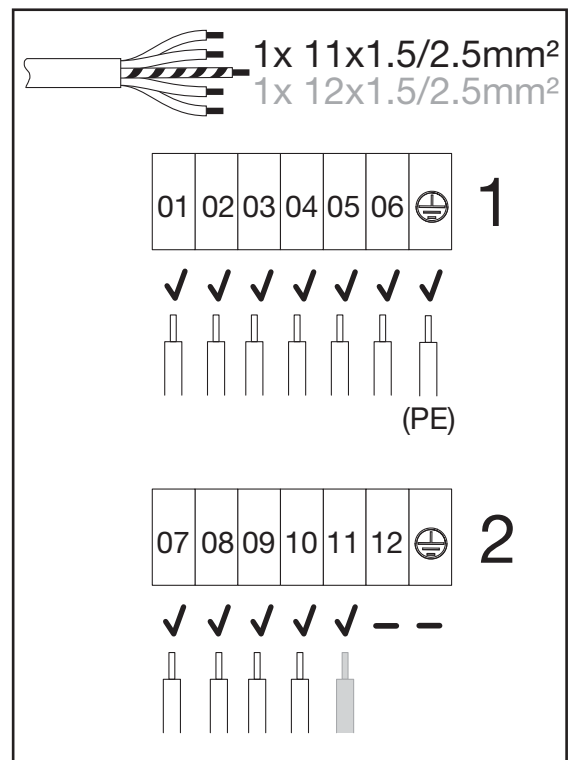
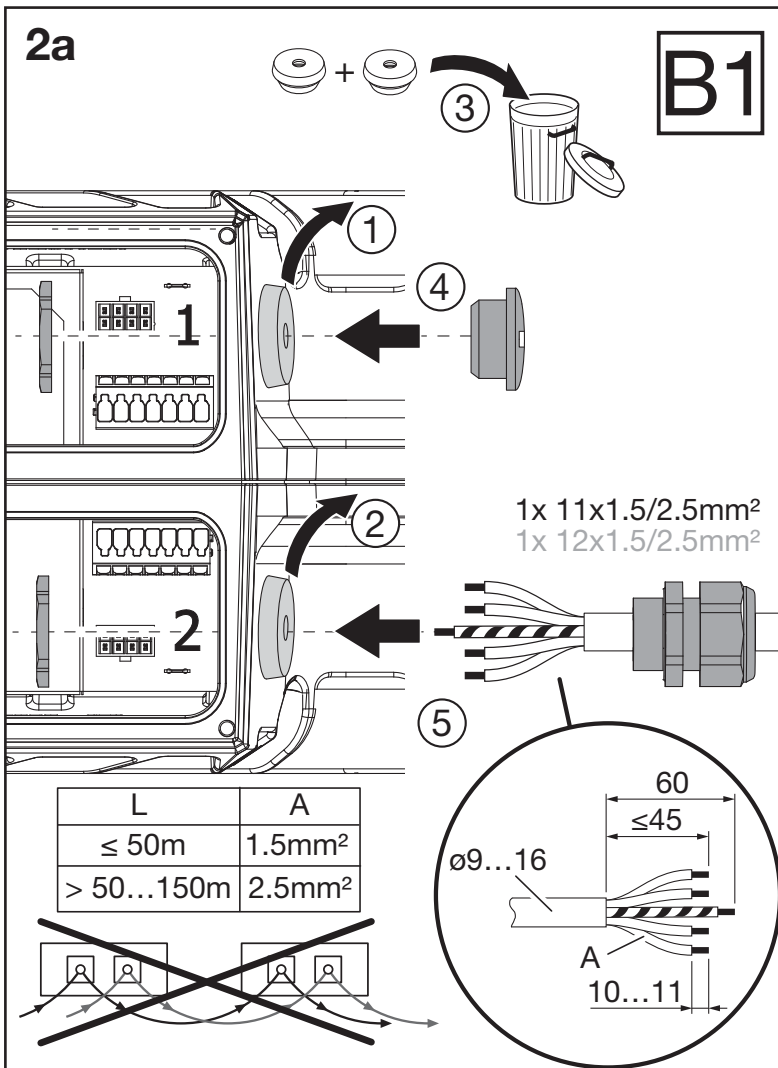
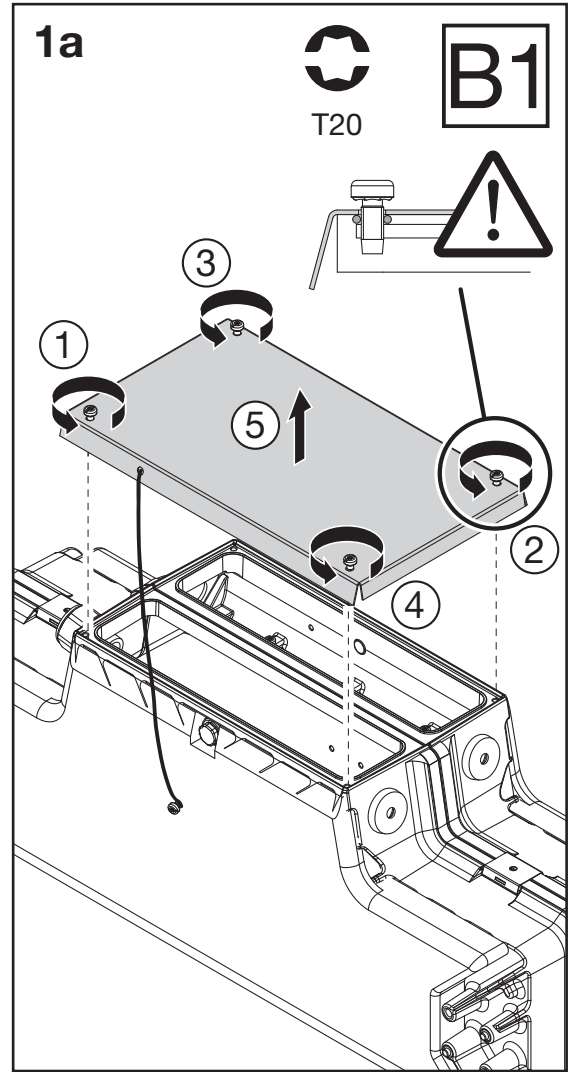
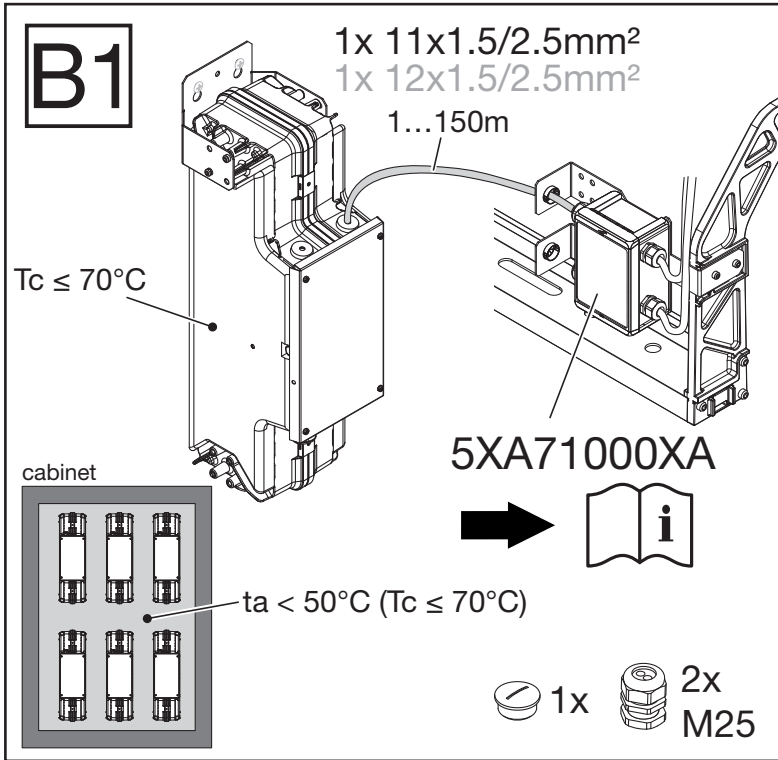
④

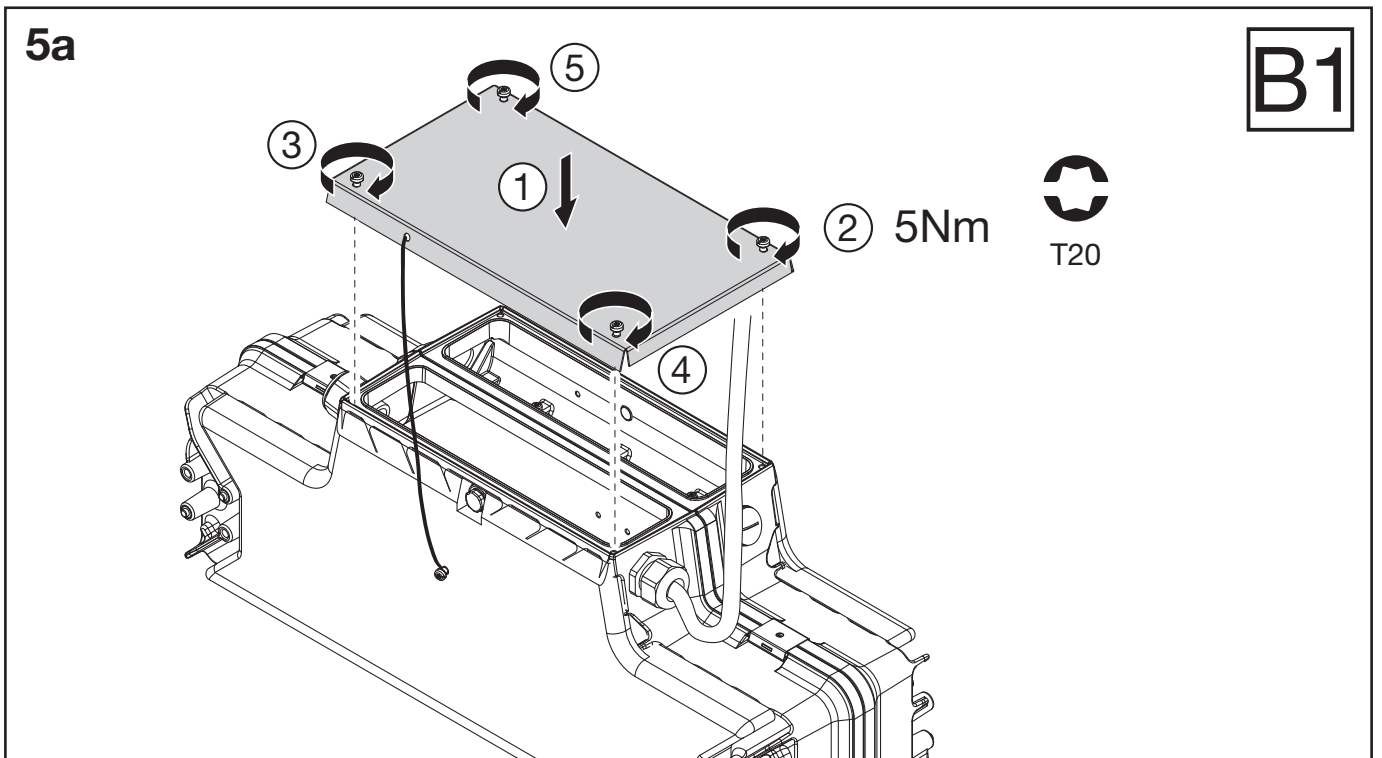
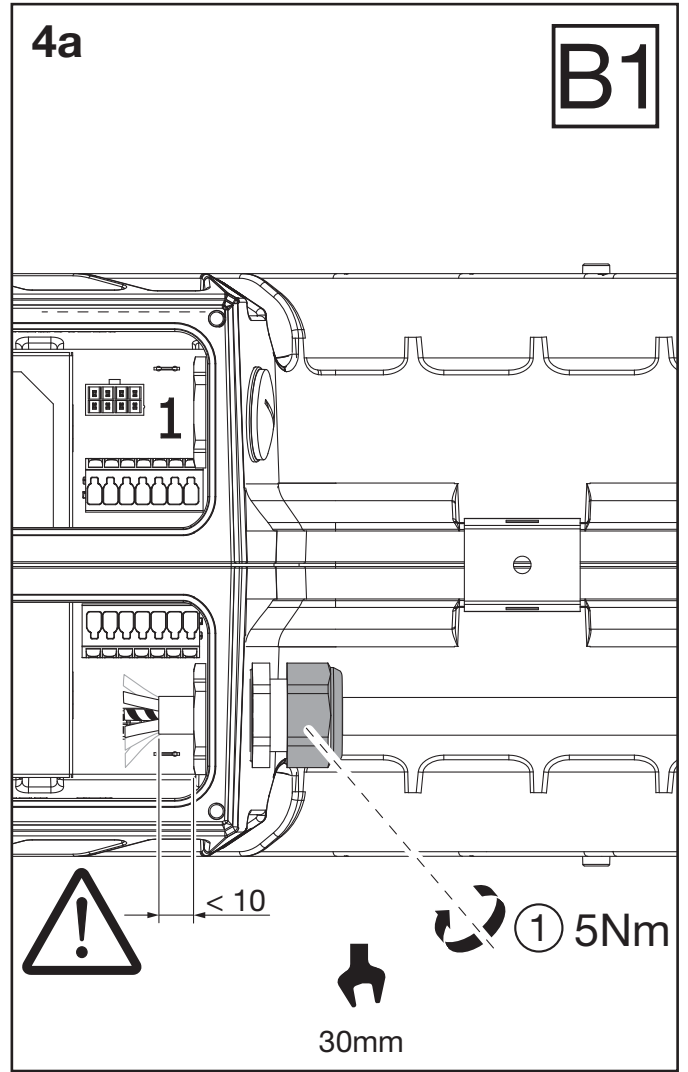
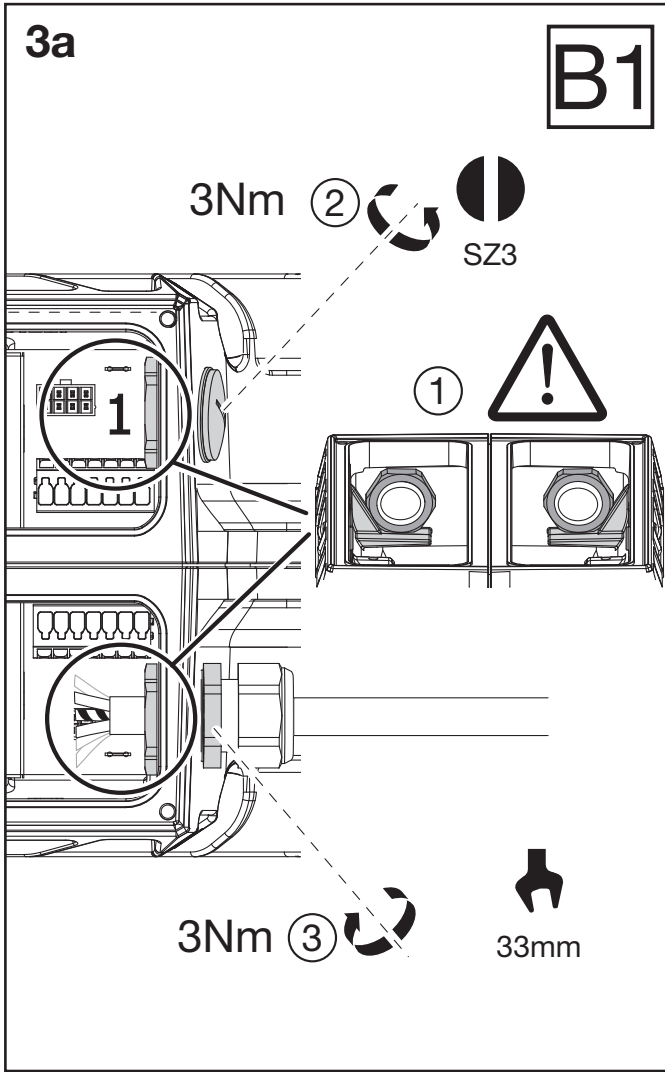
⑤

①

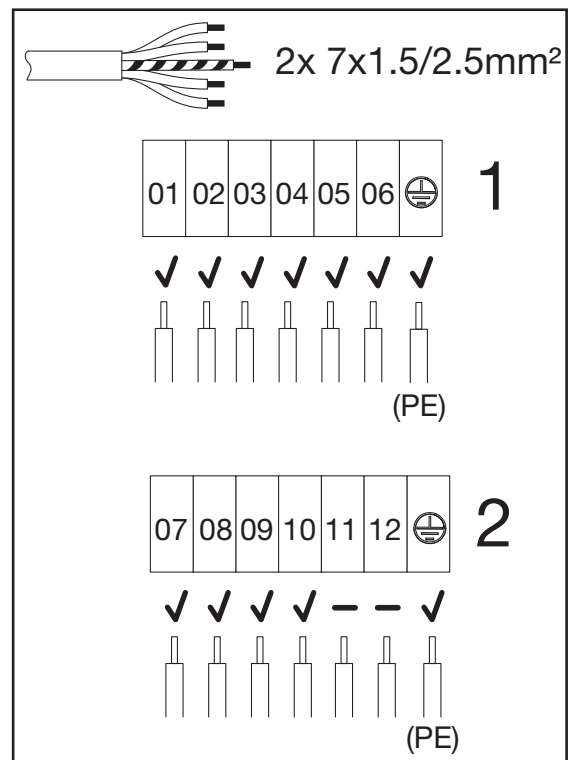
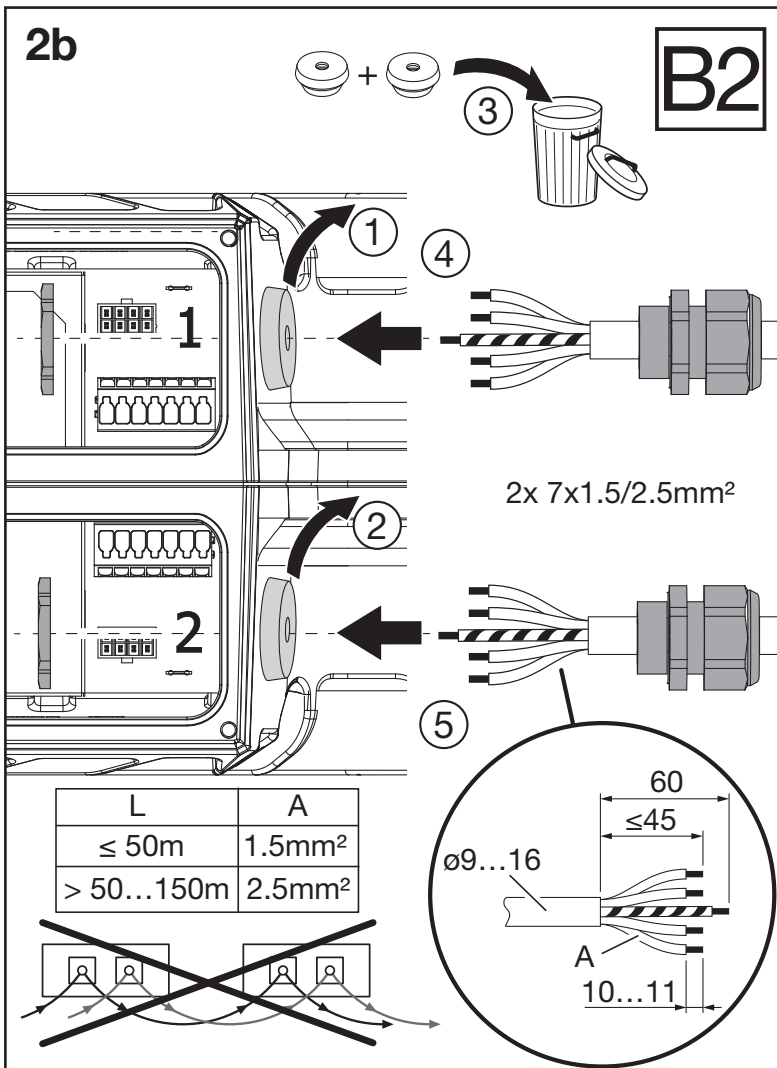
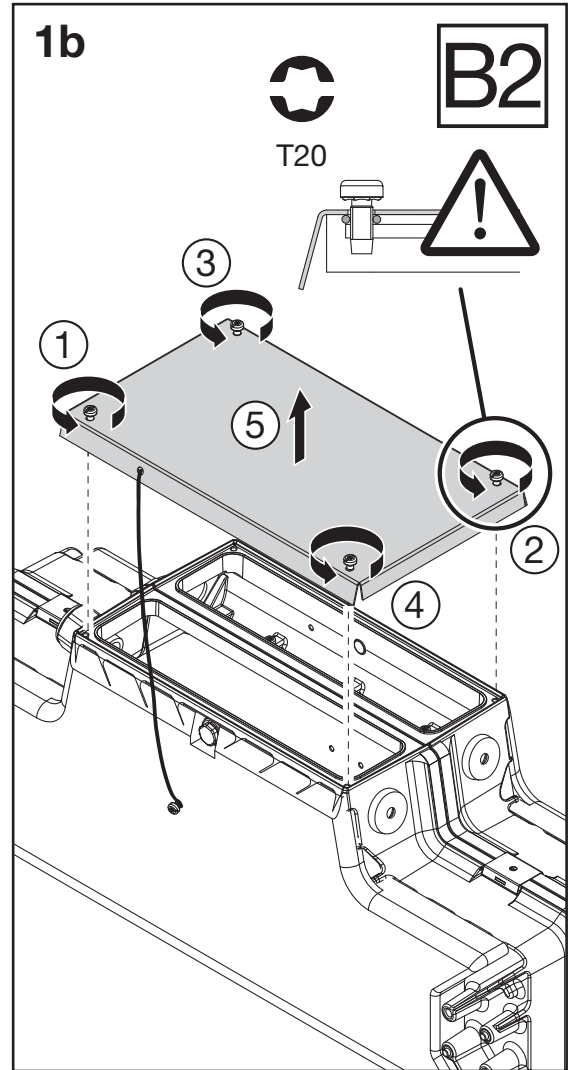
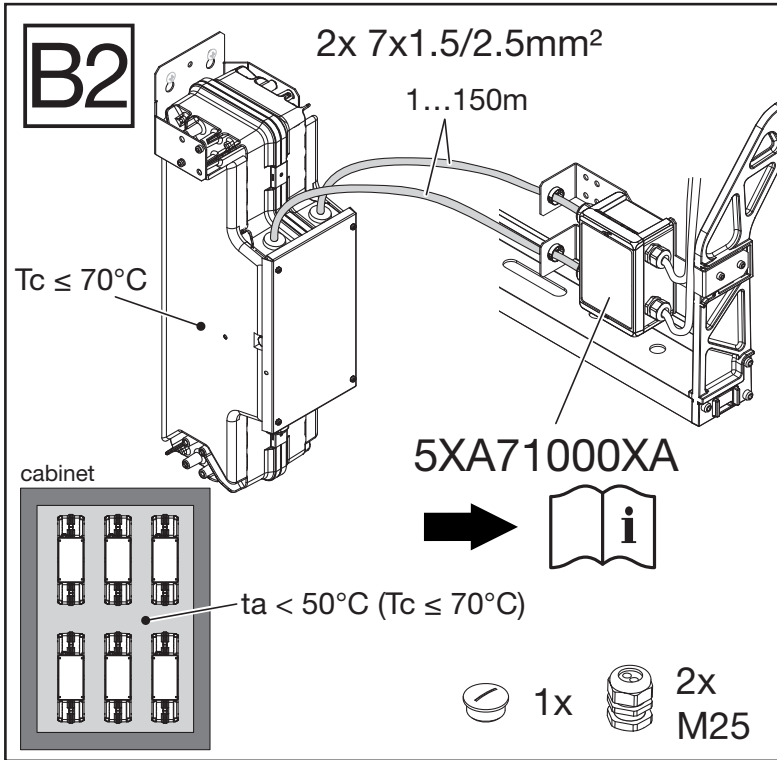
②

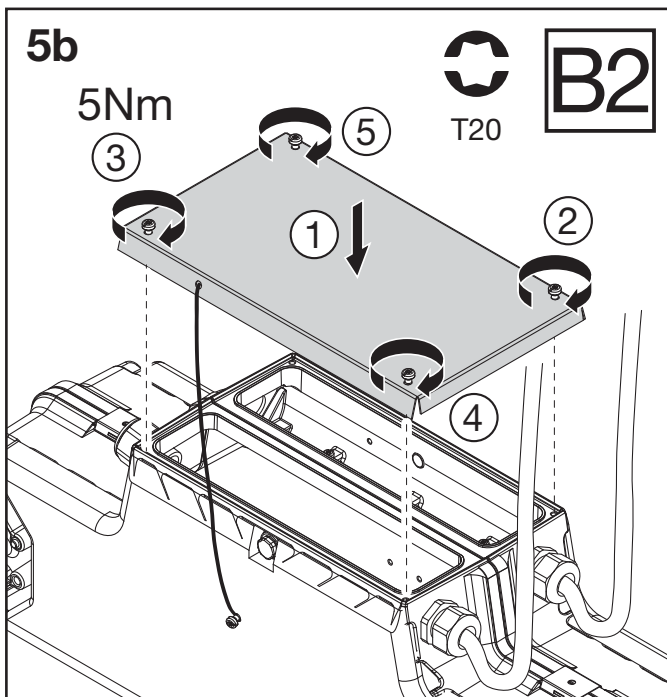
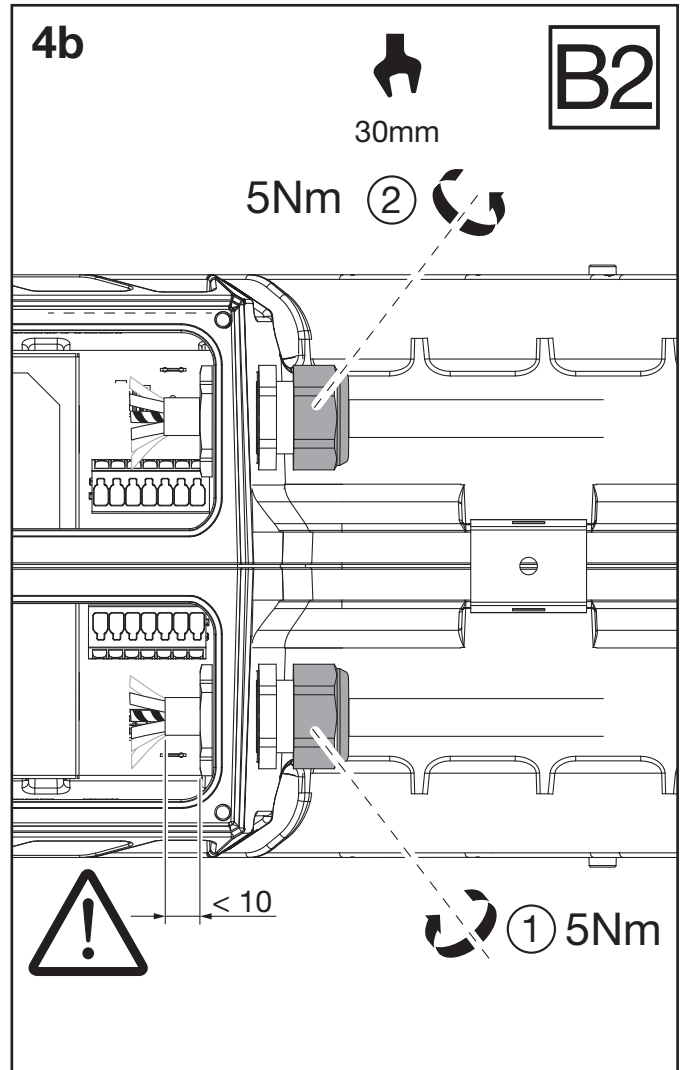
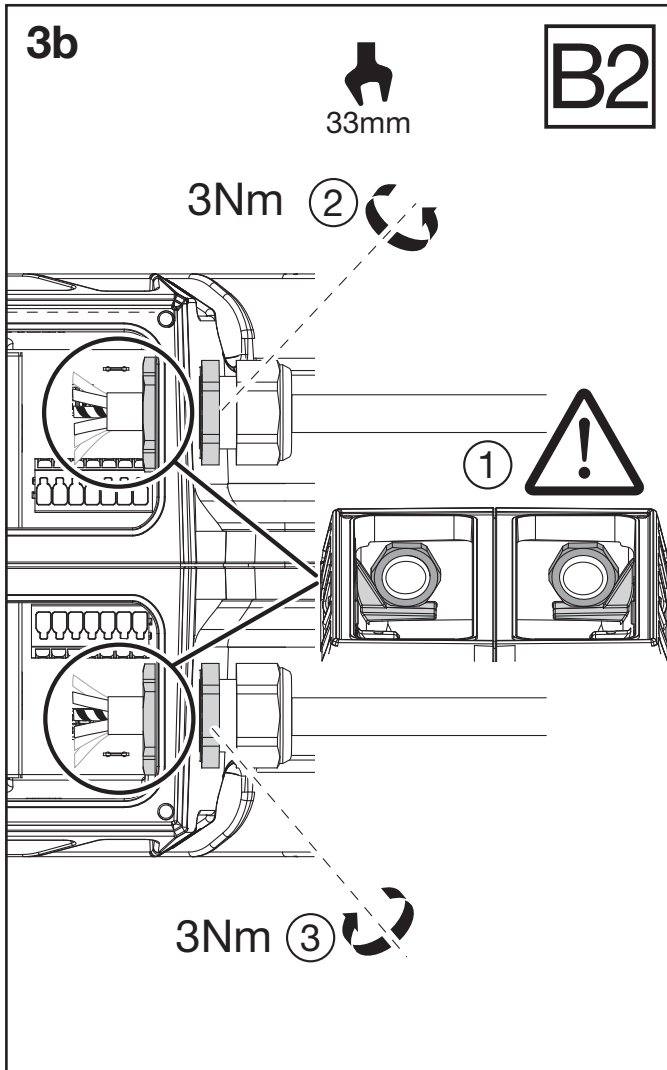
A





SIRIUS EVG-Einheit DMX/ECG unit DMX





Inrush Current	16A @230V; t=5ms 50% Peak Single Line	
	8A @400V; t=5ms 50% Peak Double Line	
Circuit Breaker Recommendation	B10	1
	B13	1
	B16	2
	B20	2
	B25	3
	C6	1
	C10	2
	C13	2
	C16	3
	C20	4
	C25	5
Power Factor	0,97 @Full Load	
Rated current (In)	8,7A @230V, 50/60Hz Single Line	
	4,4A @400V, 50/60Hz Double Line	



5MA75-255878_ah
12.12.2019 / WEI

Siteco GmbH
Georg-Simon-Ohm-Straße 50
83301 Traunreut, Germany
mail: technicalsupport@siteco.de
Phone: +49 8669 / 33-844
www.siteco.com