

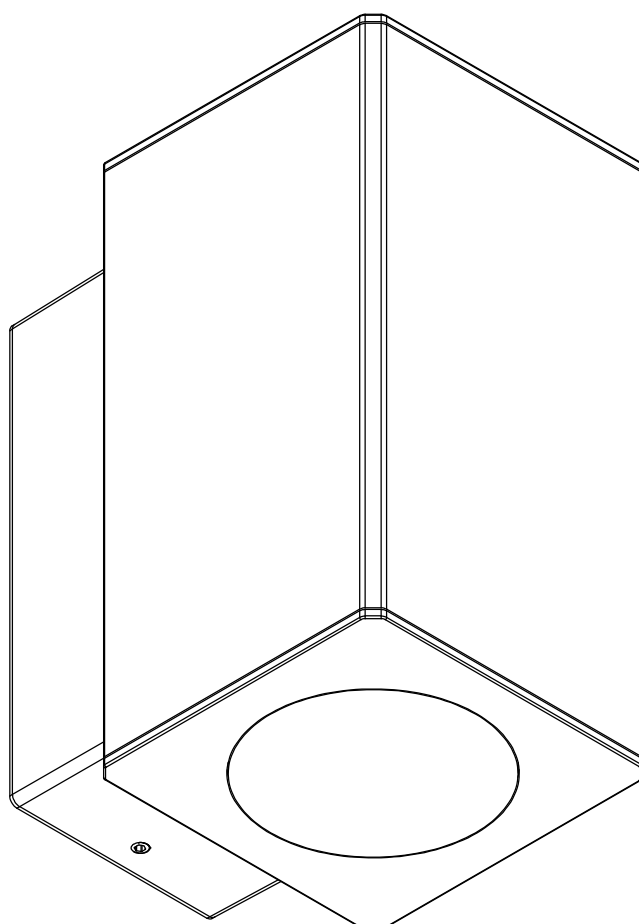
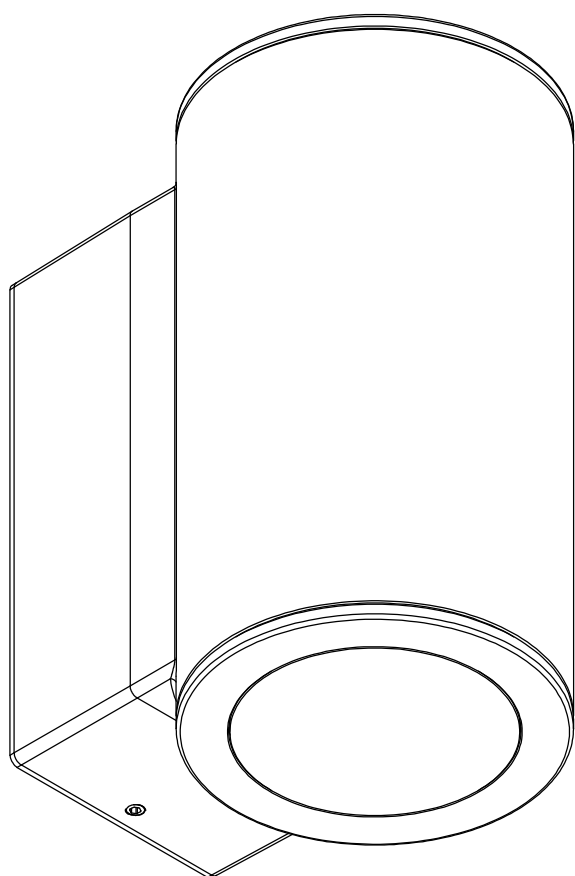
CL 31 Wand / CL 31 Wall

5CL513613

5CL513623

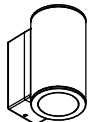


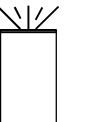
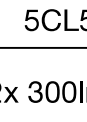

5CL553613

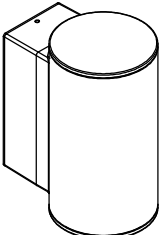
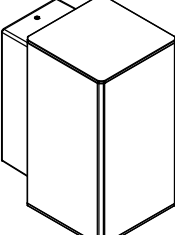






5CL563623

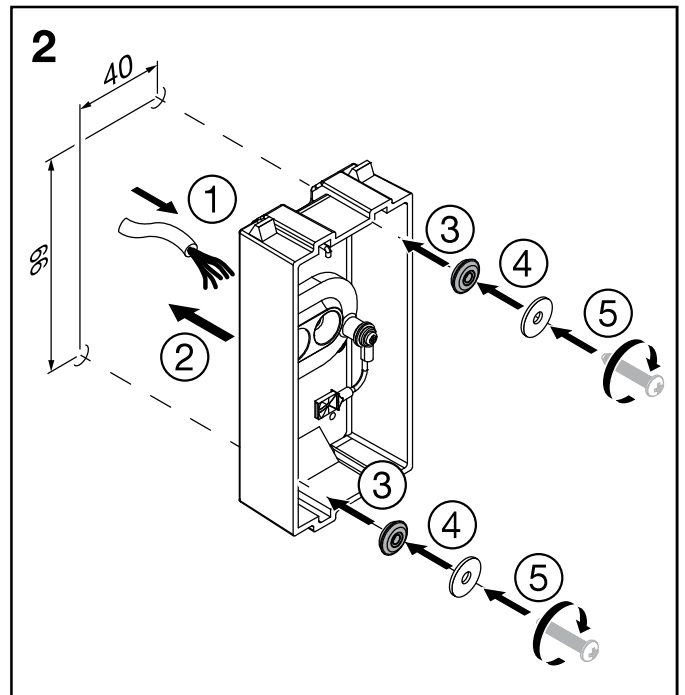
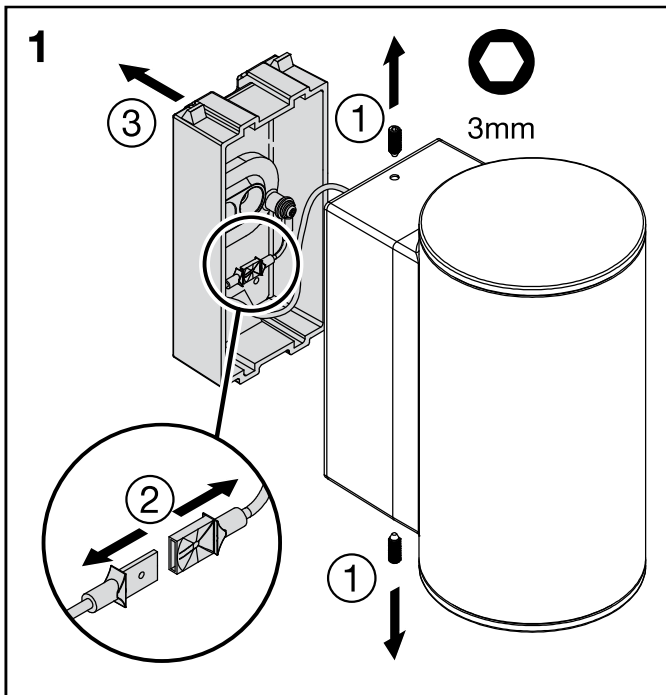
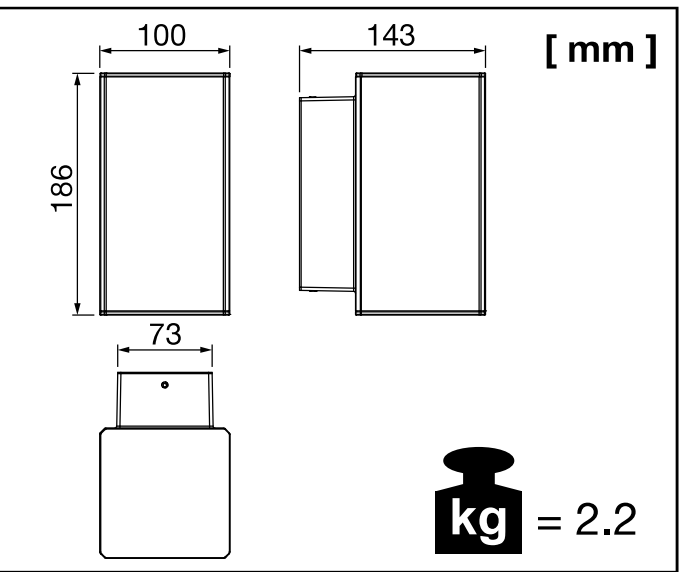
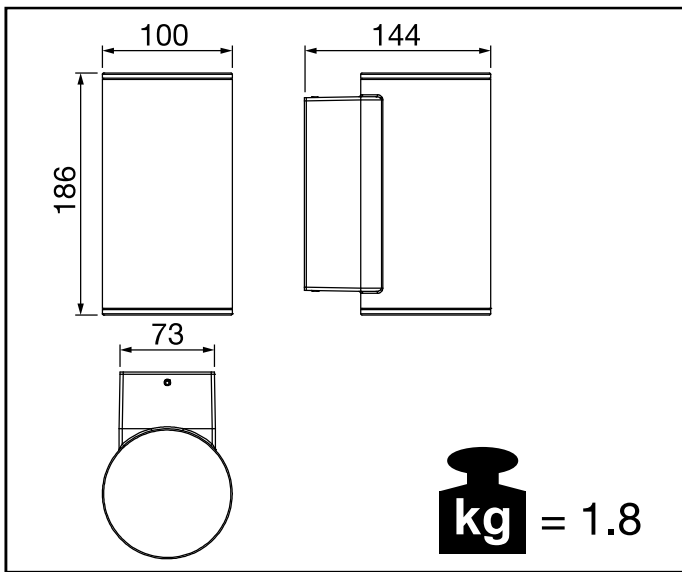


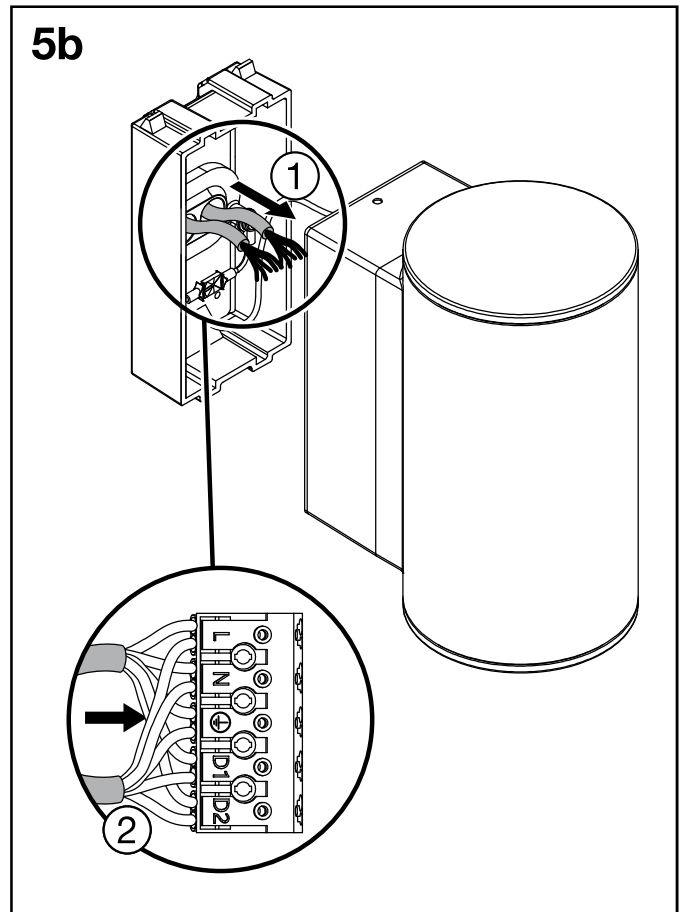
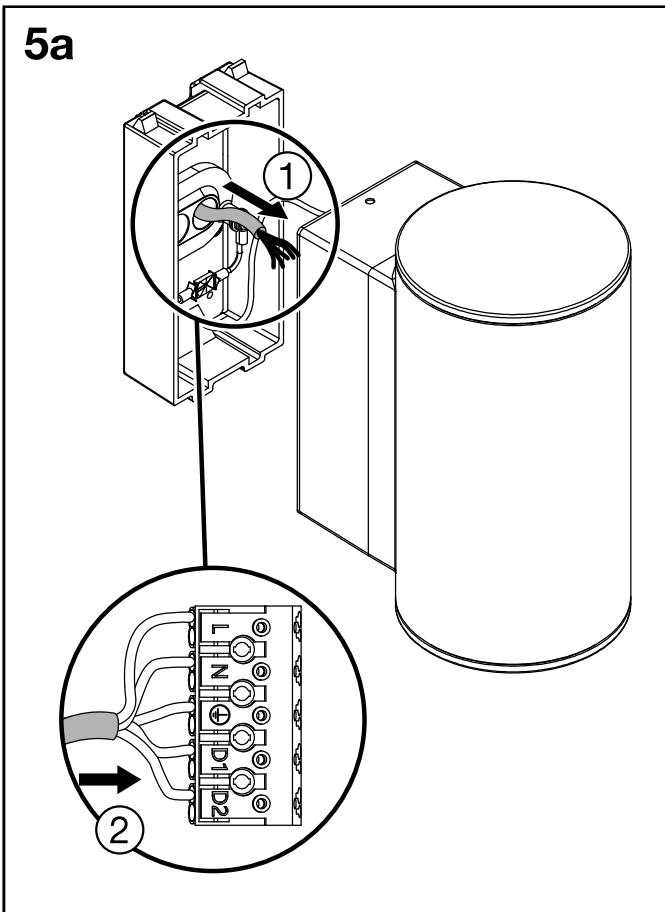
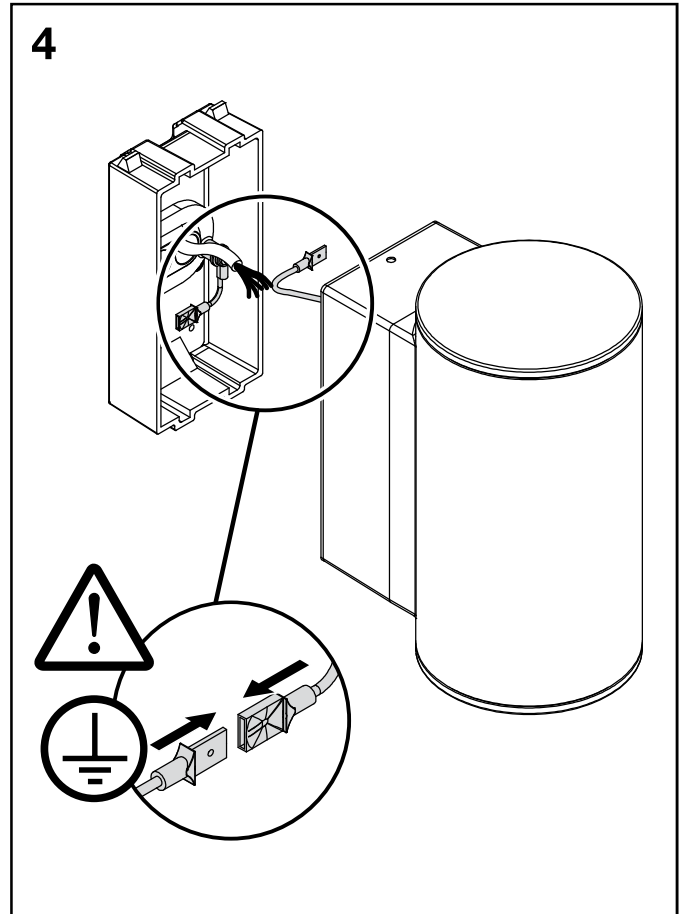
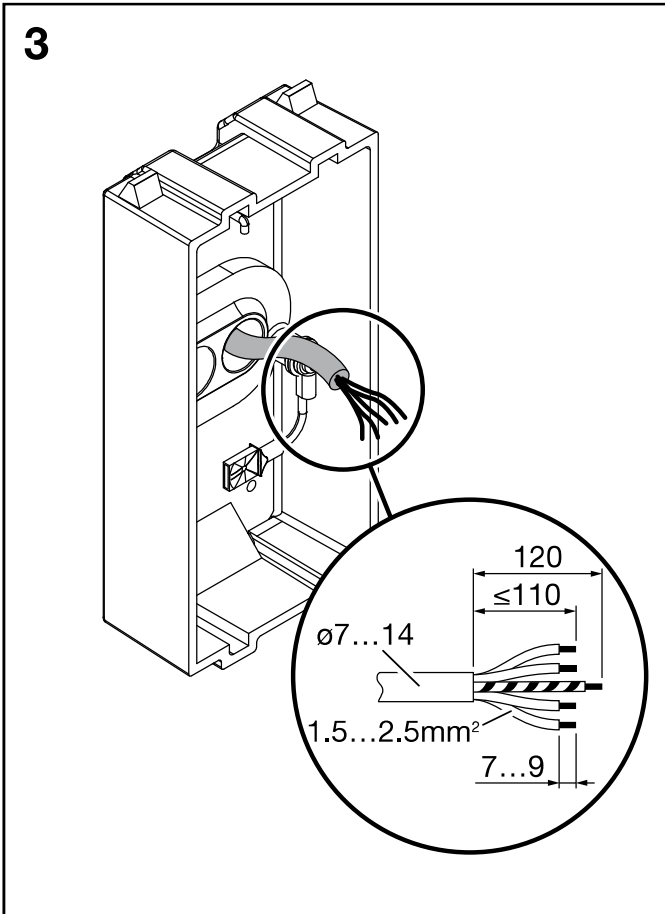
siteco

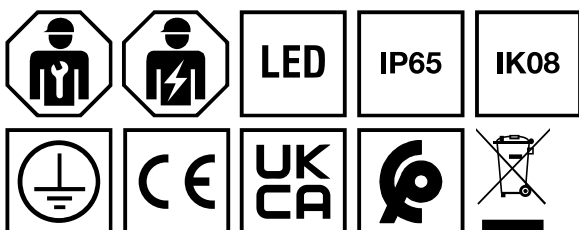
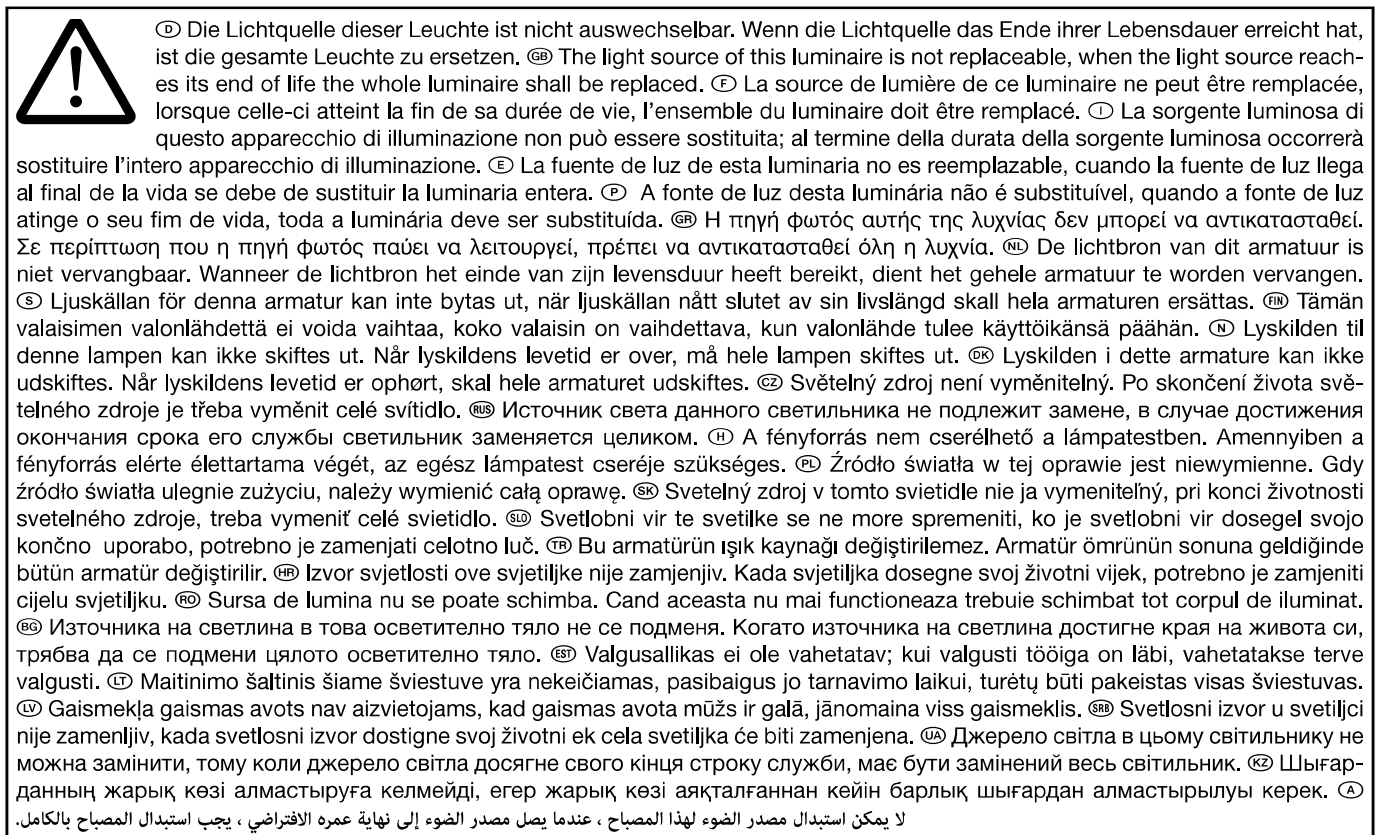
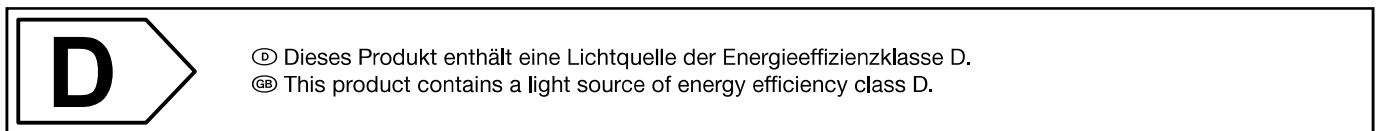
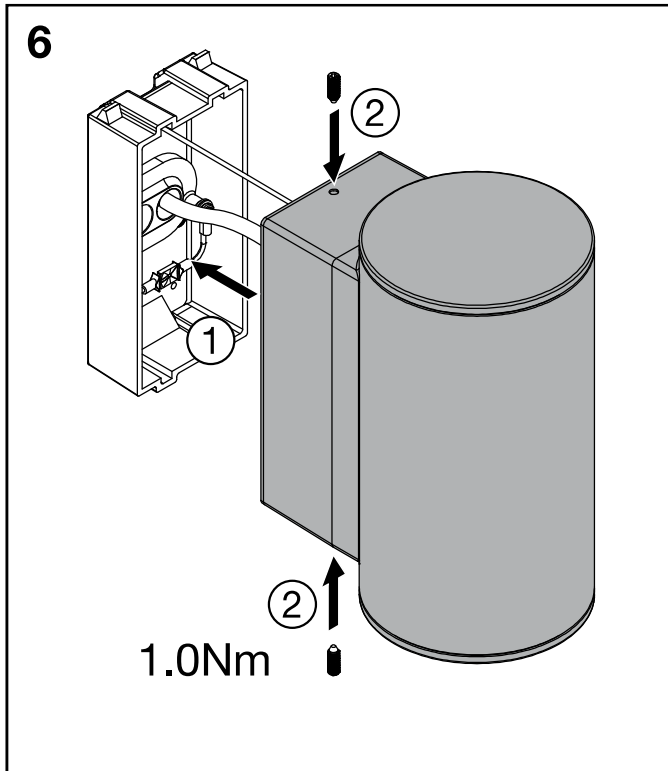
CL 31 Wand / CL 31 Wall

	
5CL513613	5CL553613
 = 300lm 300...1000lm	
	
5CL513623	5CL563623
 = 2x 300lm 2x 300...2x 1000lm	

	1x		1x
	2x		2x
	2x		2x
	1x		1x







5MA86-260387_ae
04.10.2022 / SCH

Siteco GmbH
Georg-Simon-Ohm-Straße 50
83301 Traunreut, Germany
mail: technicalsupport@siteco.de
Phone: +49 8669 / 33-844
www.siteco.com