

# Silica<sup>®</sup> 21

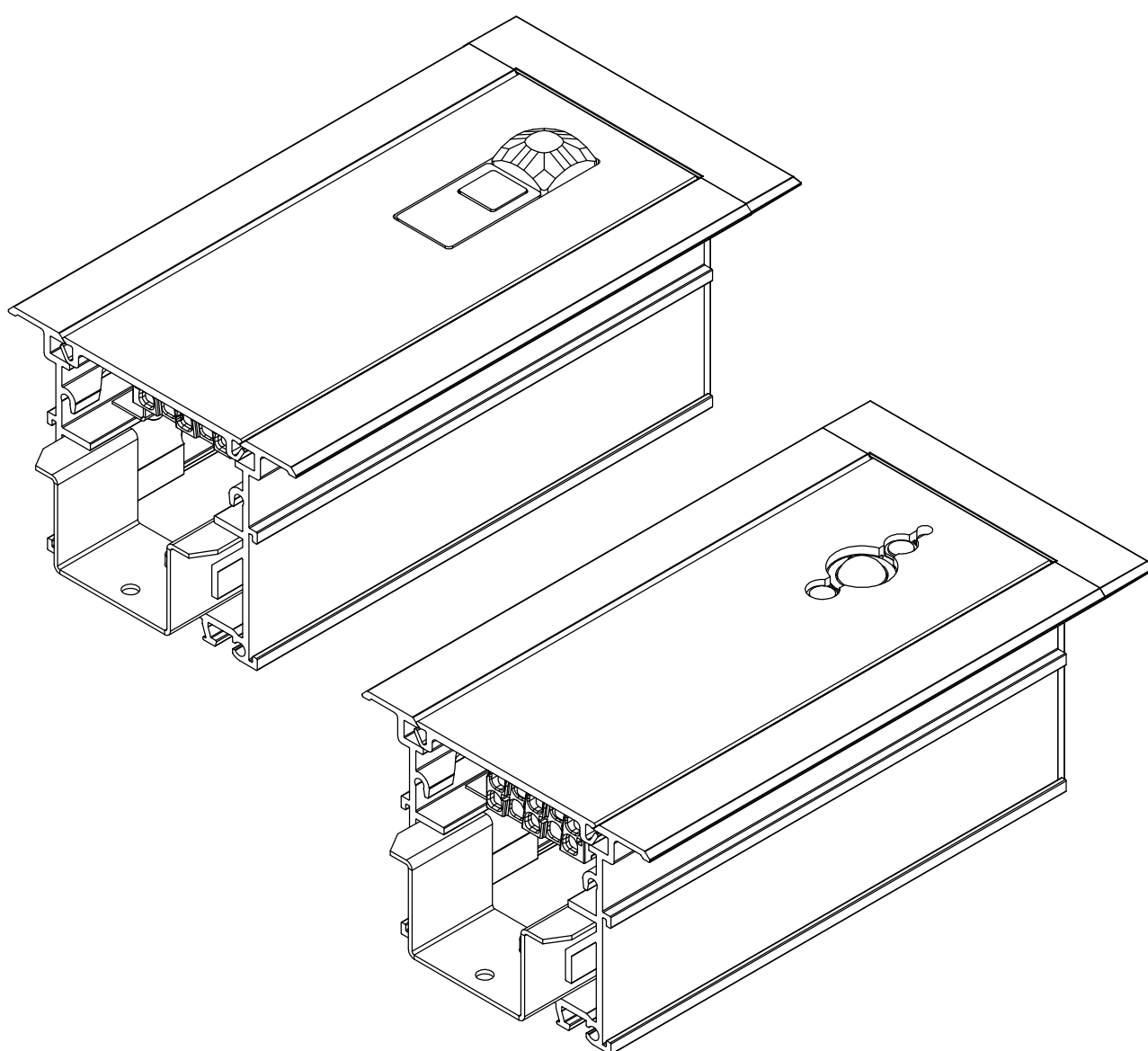
## Sensor

59MX1BW0...

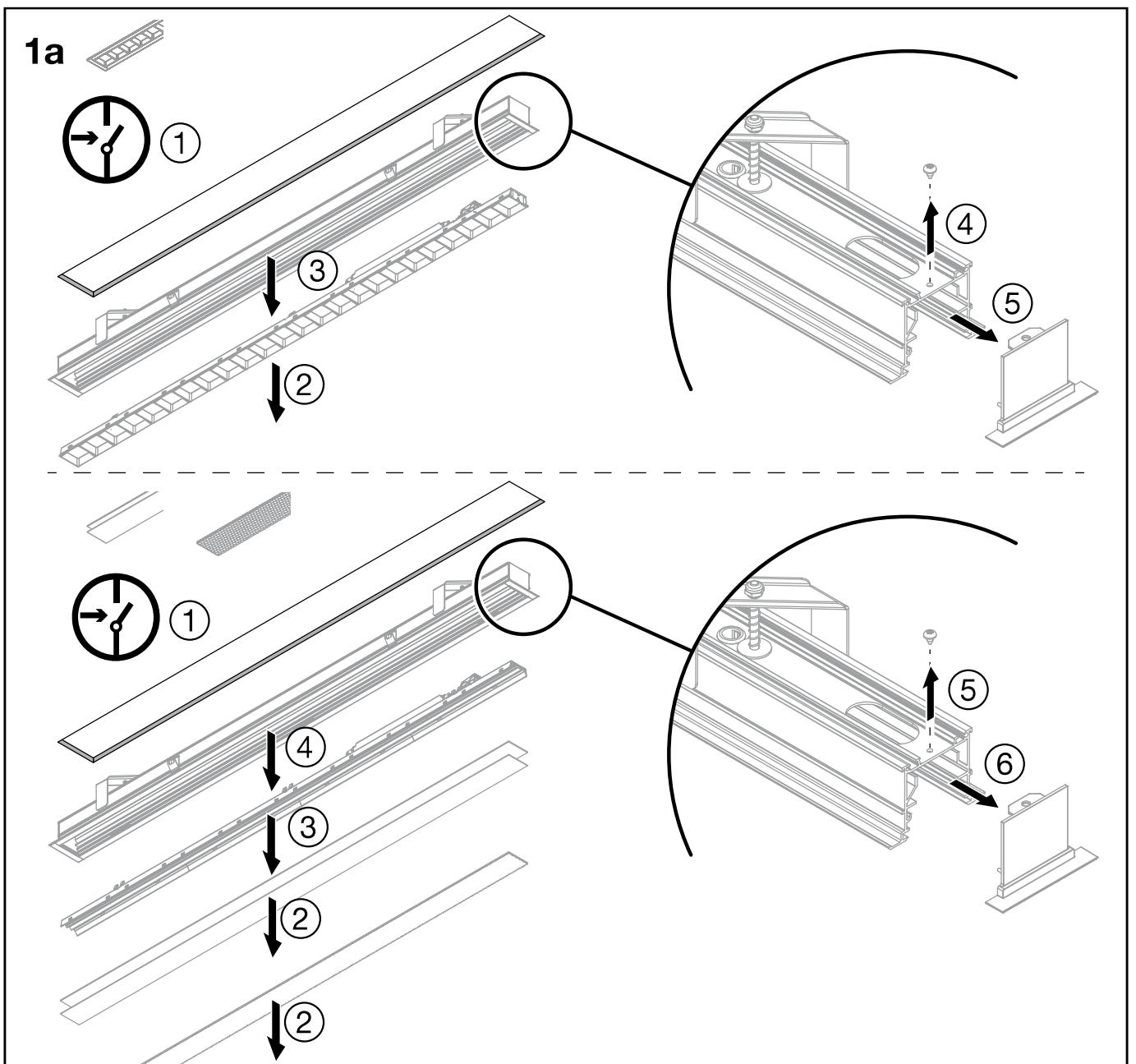
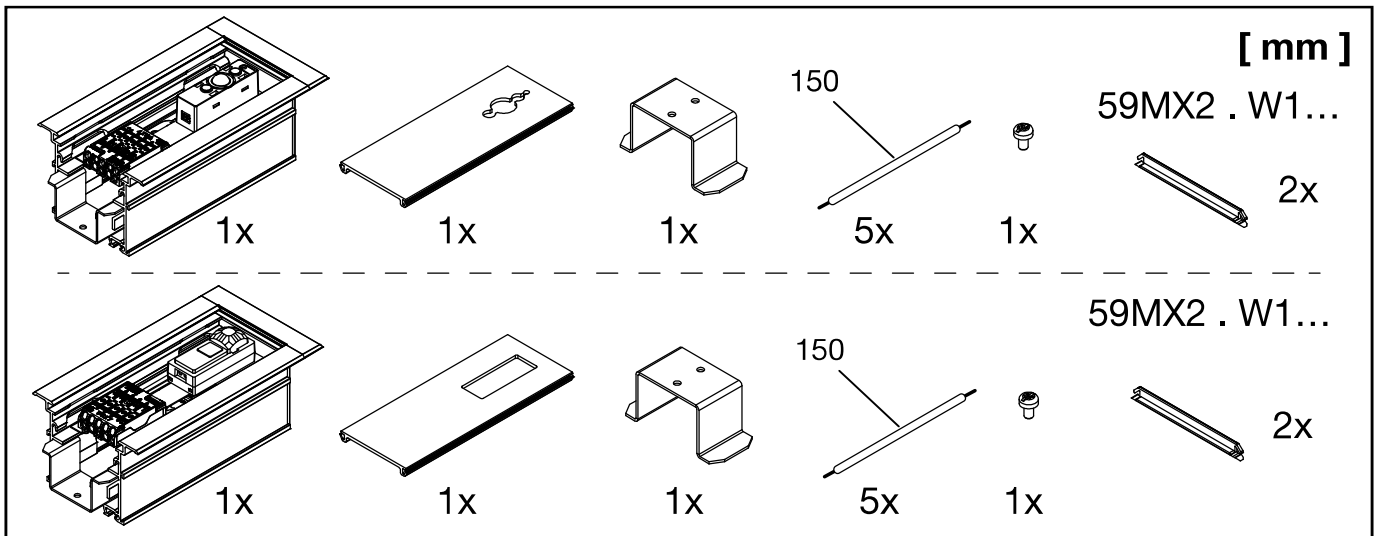
59MX1BW1...

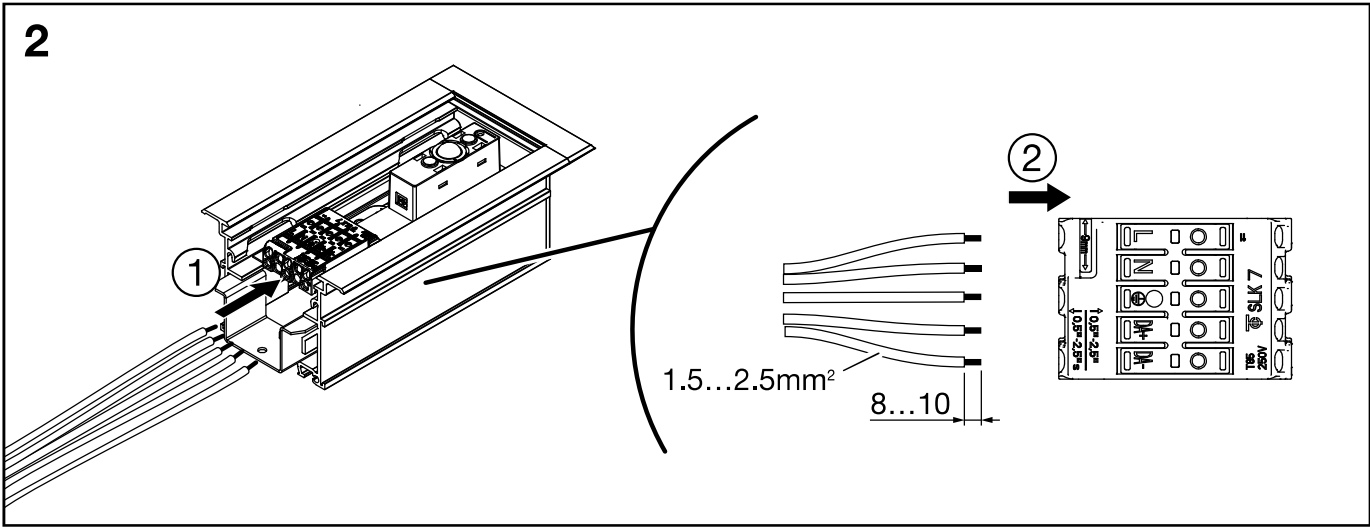
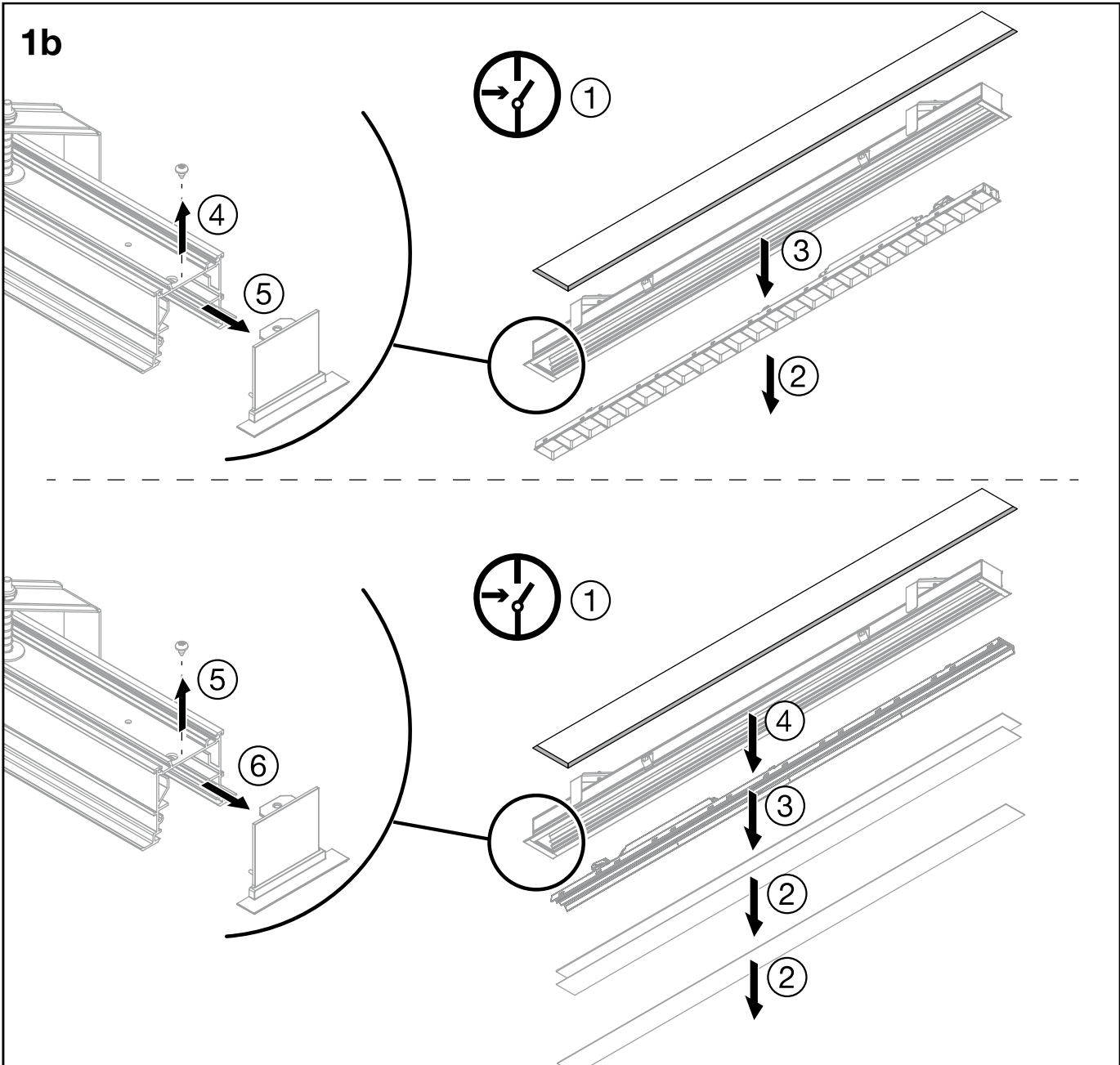
59MX1CW0...

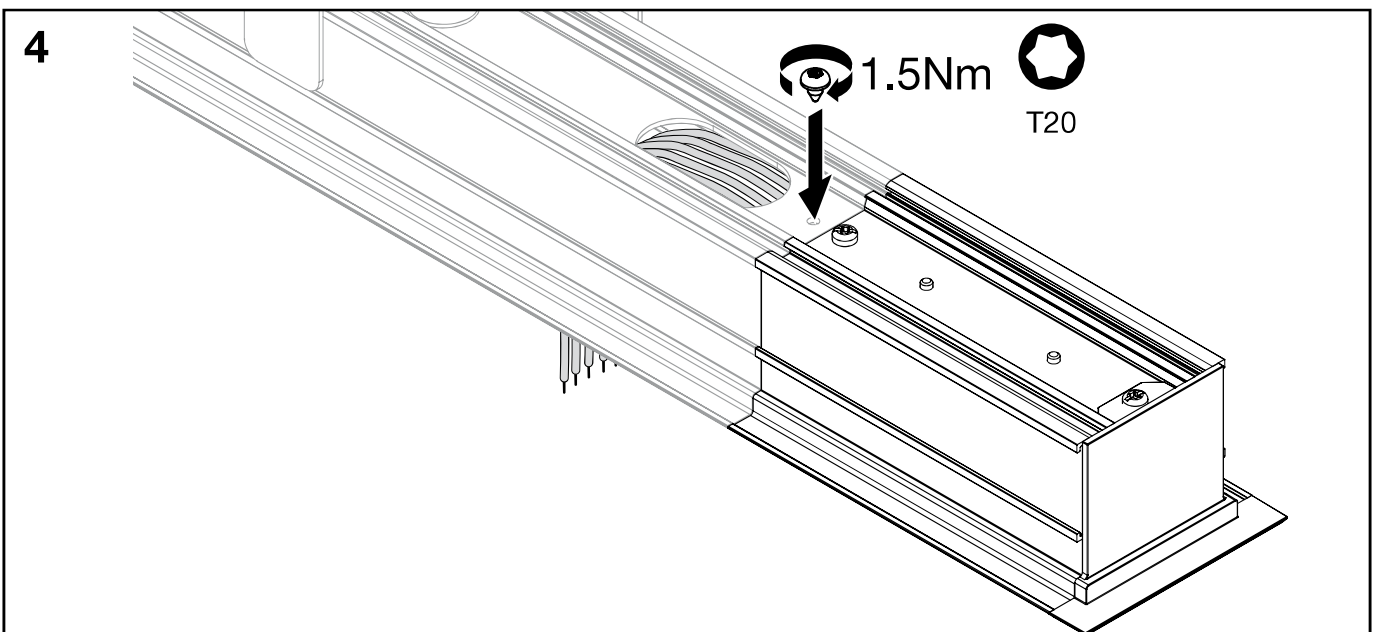
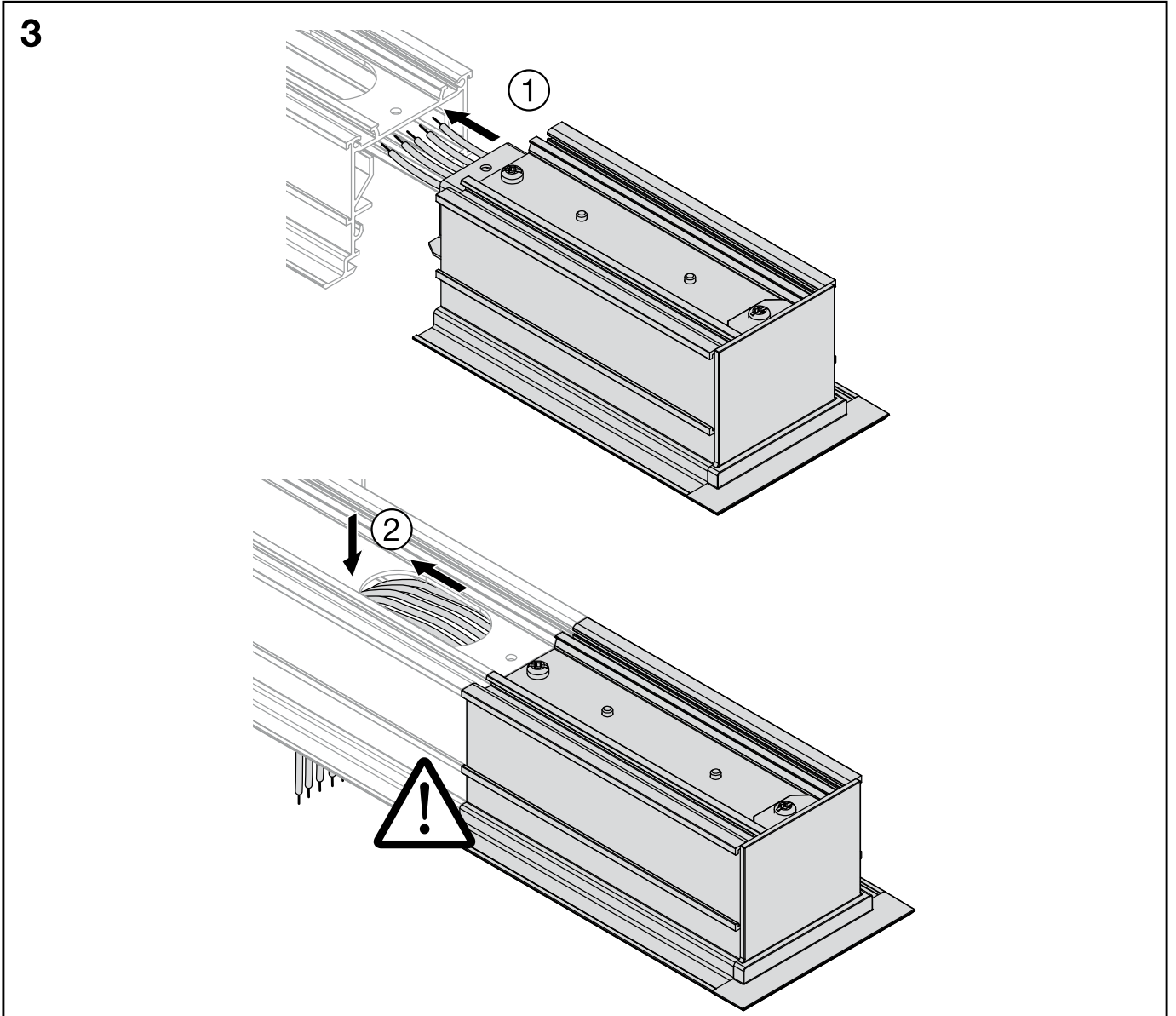
59MX1CW1...

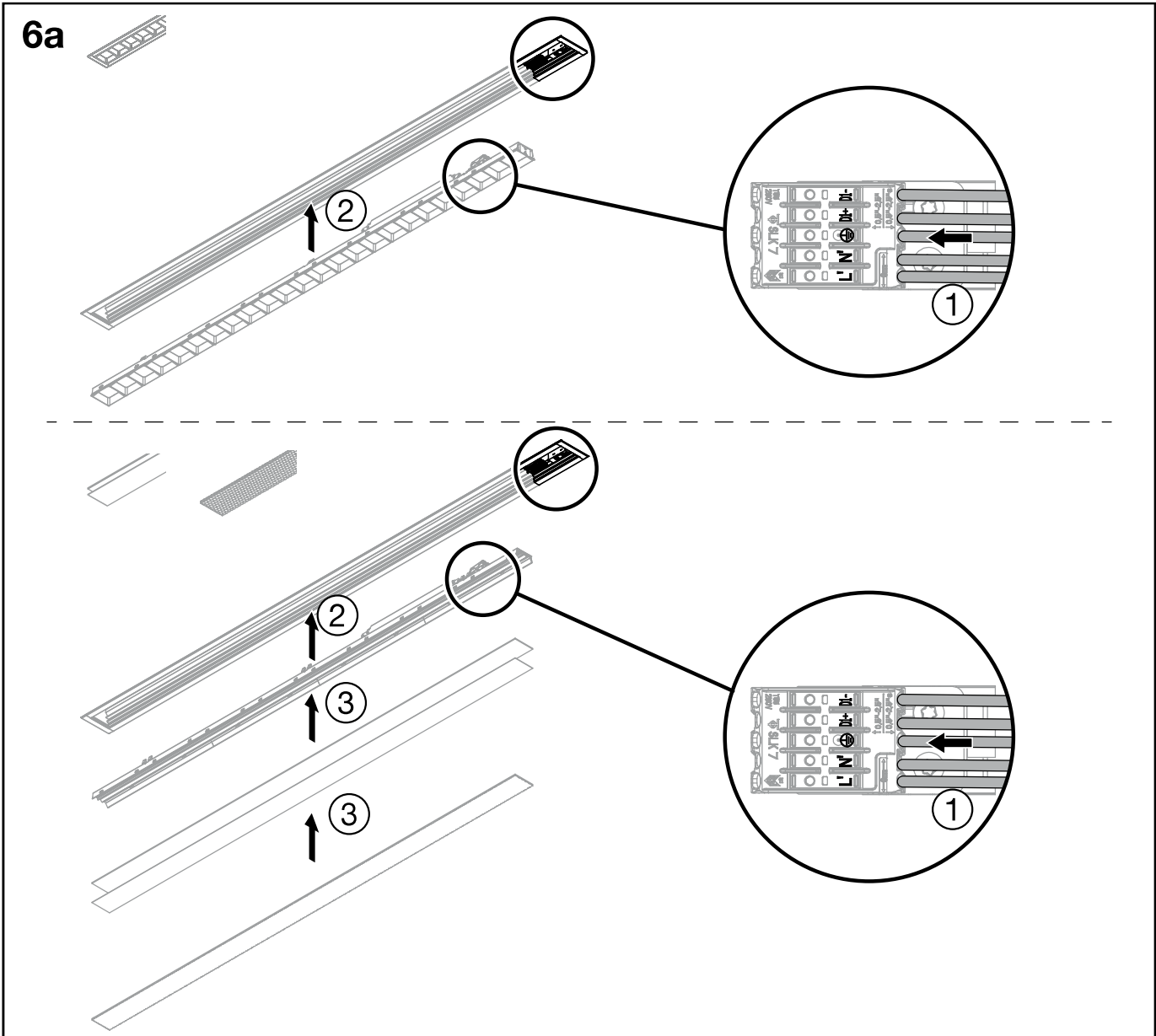
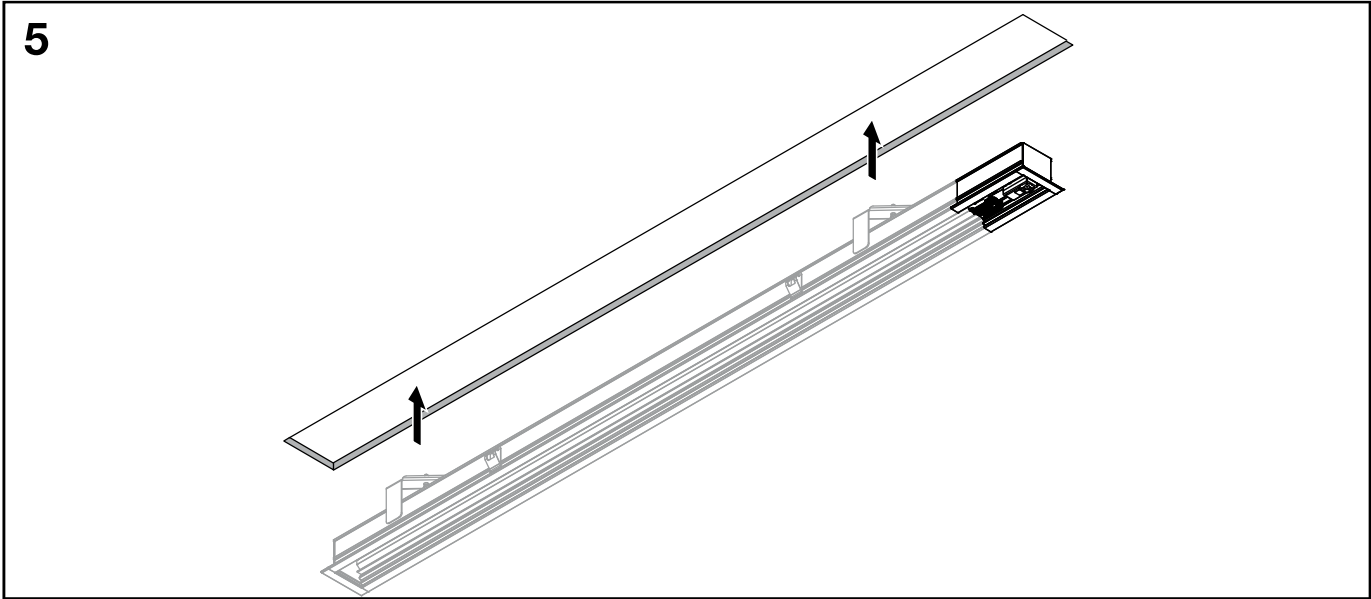


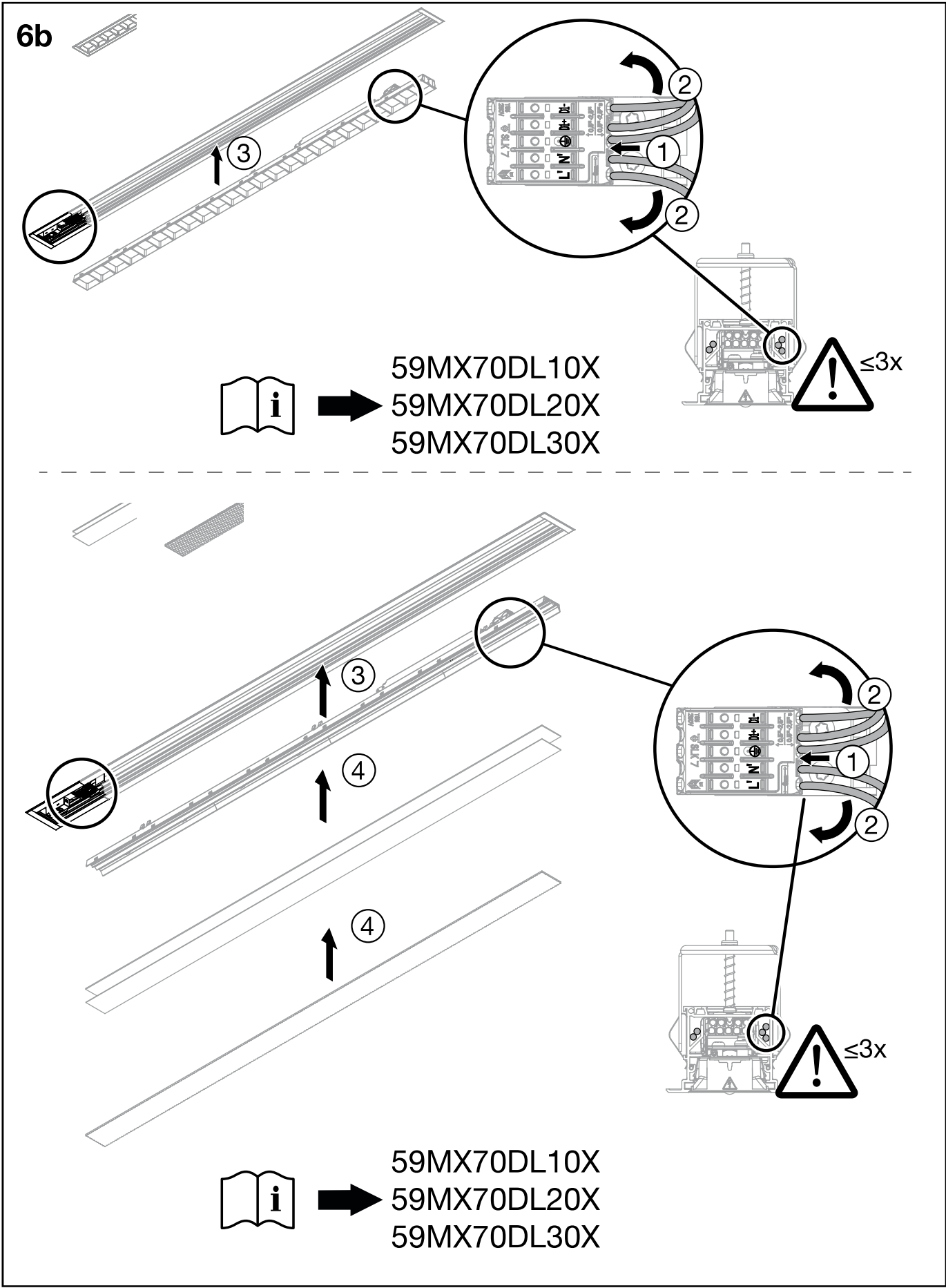
**siteco**

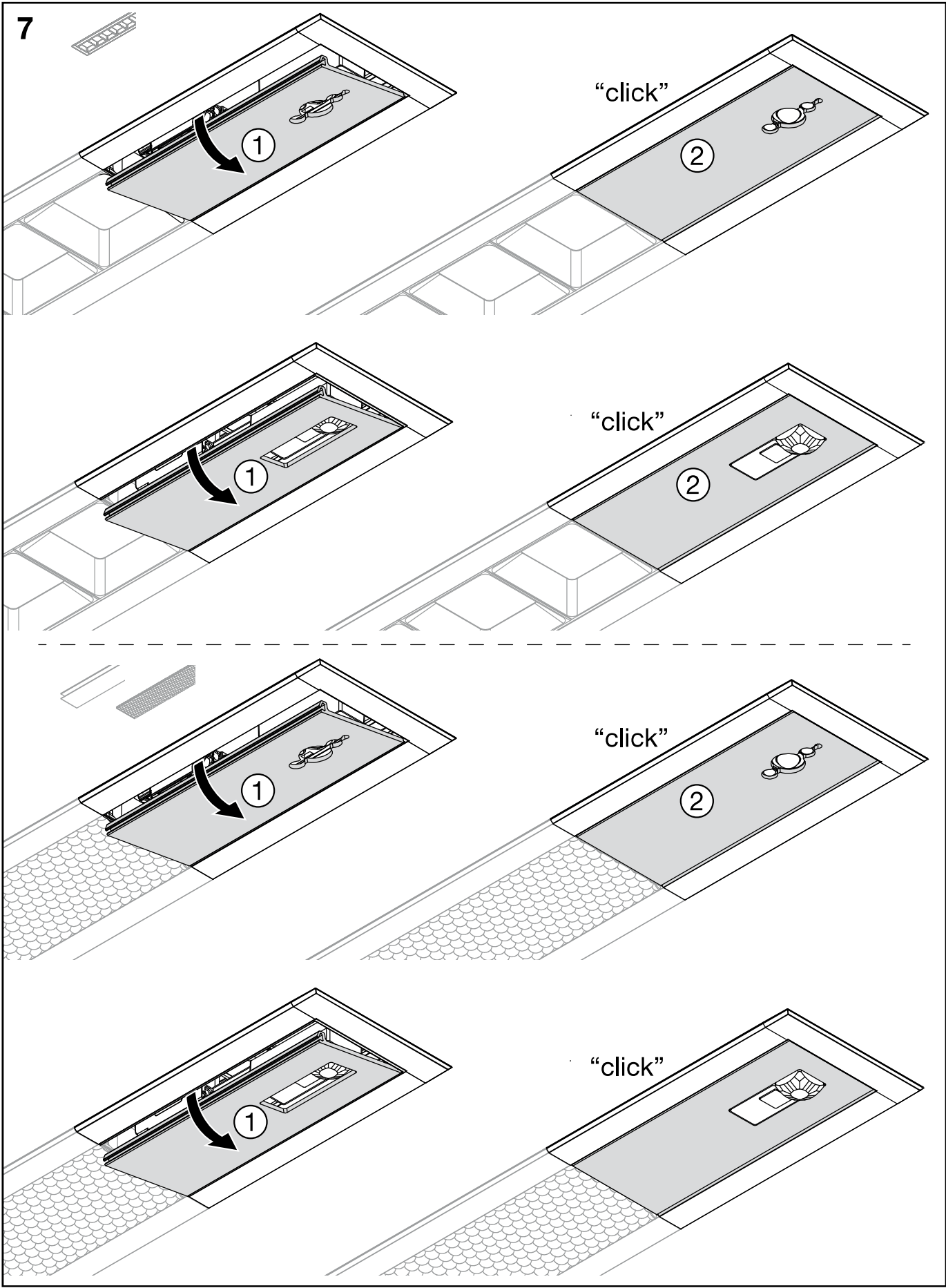


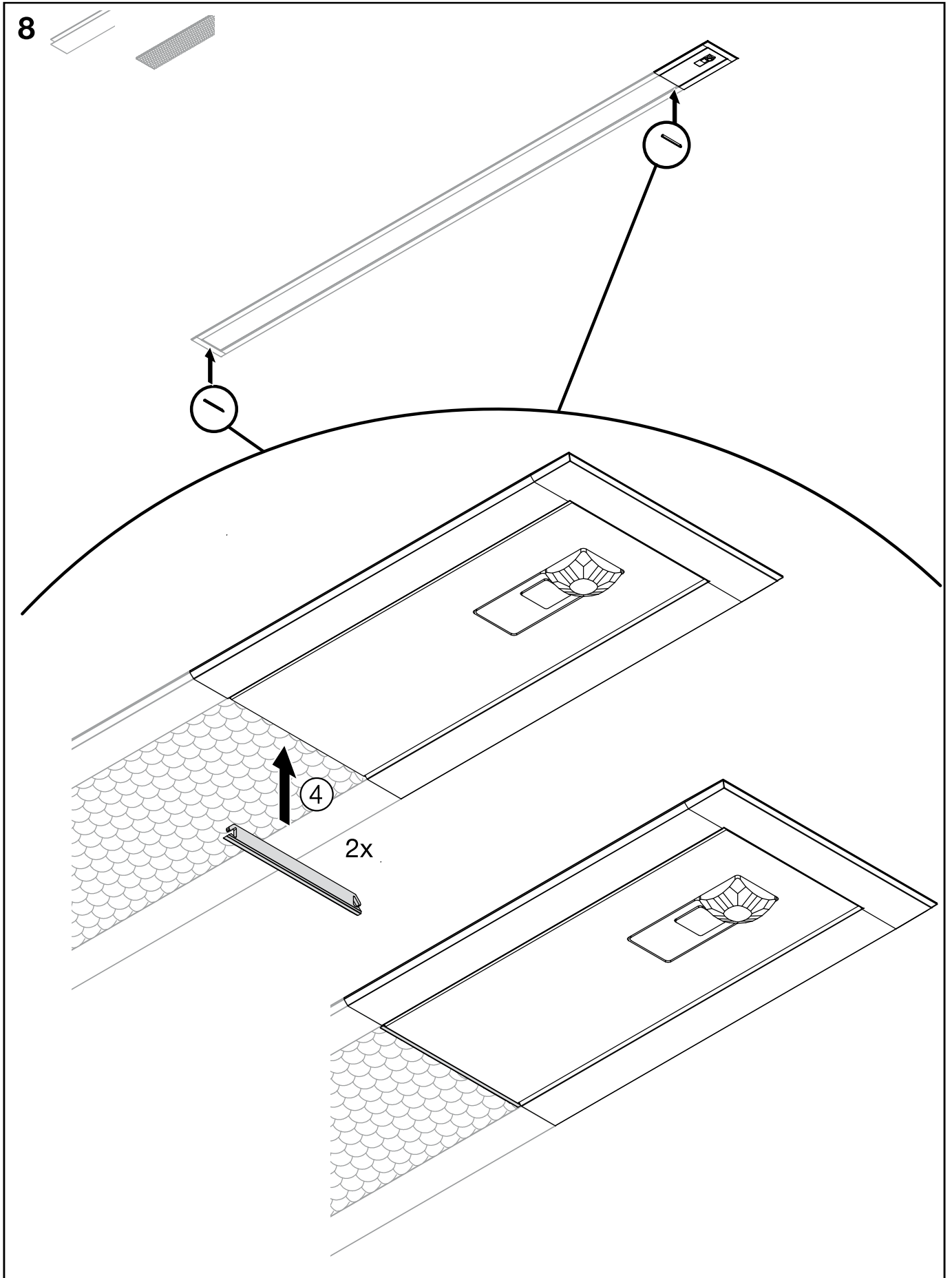




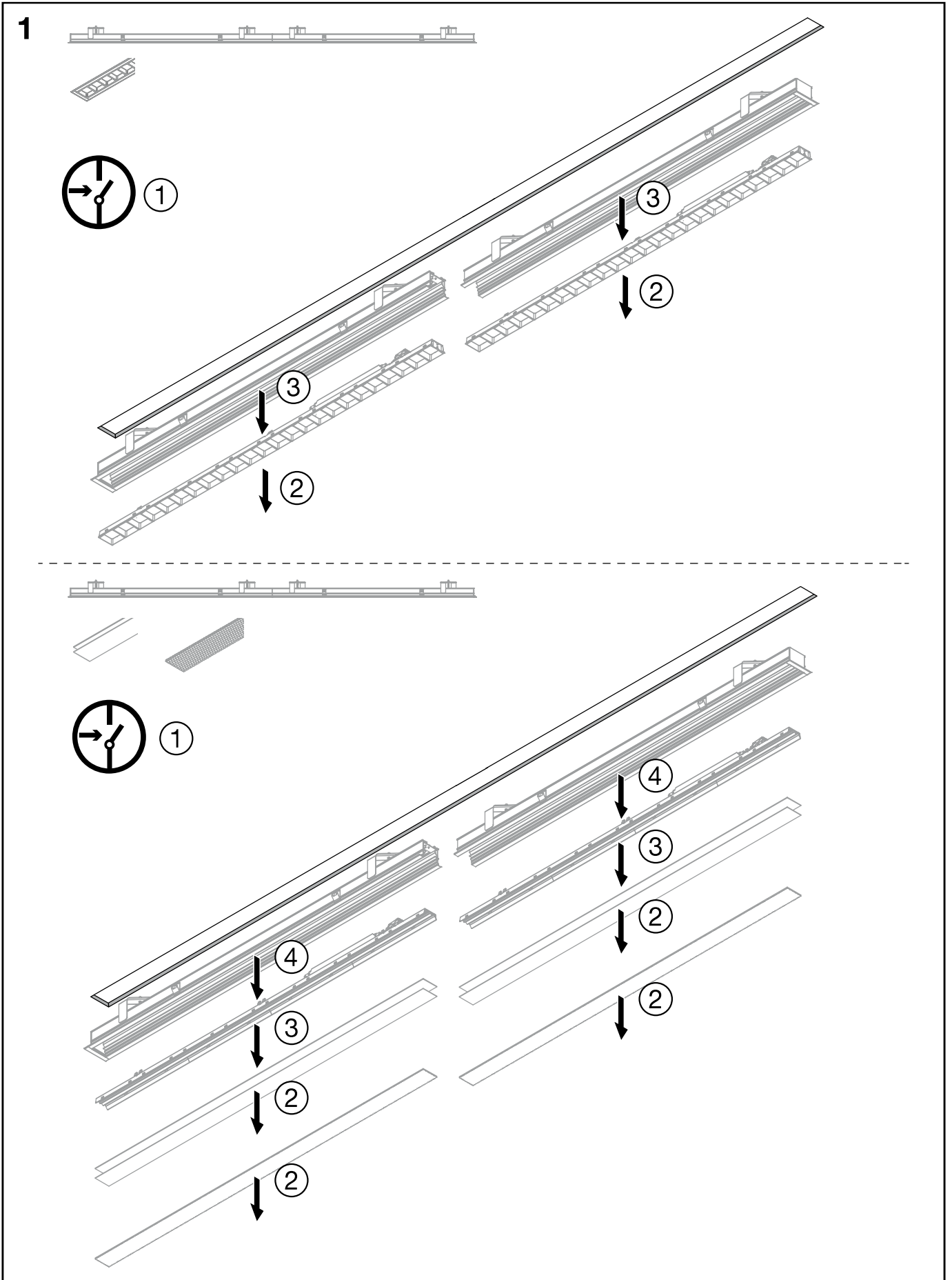




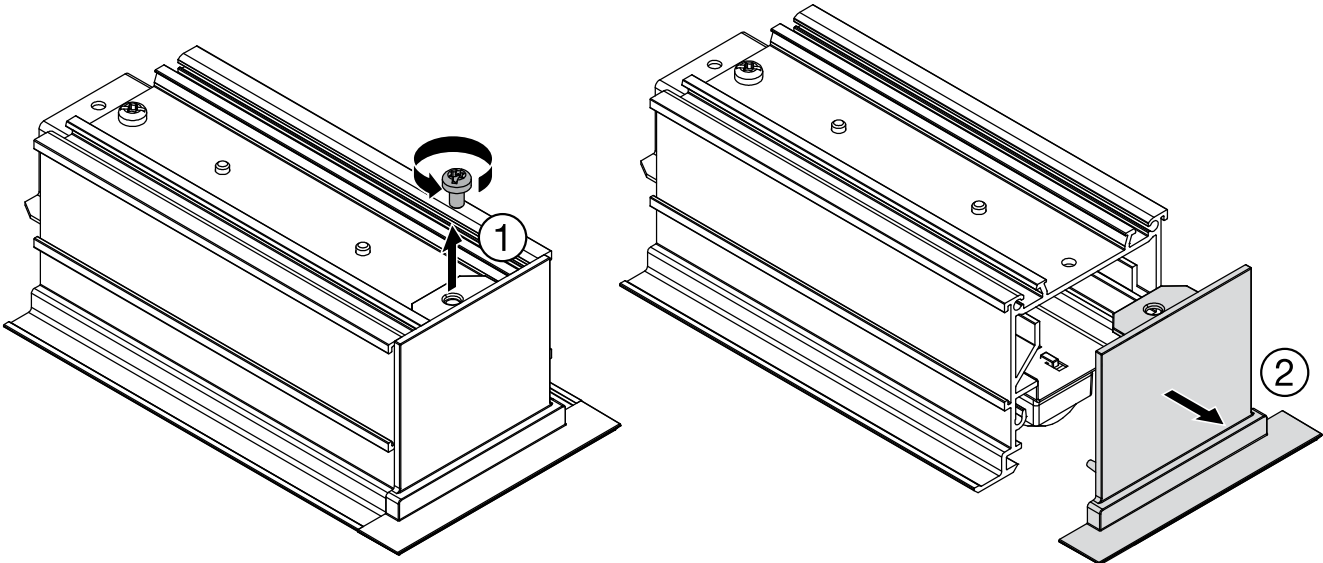




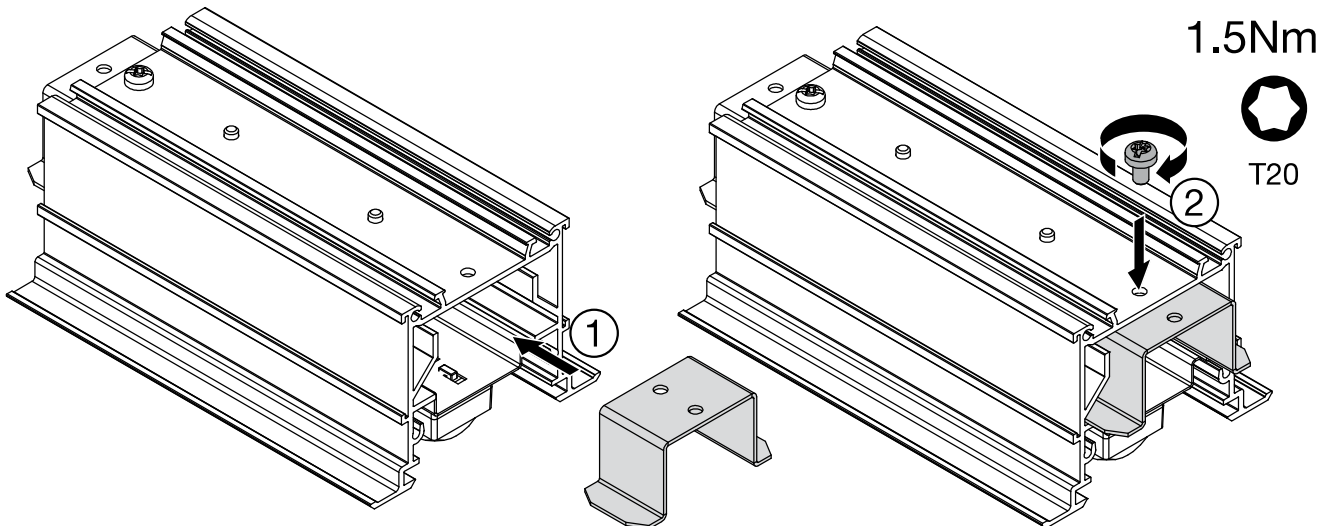


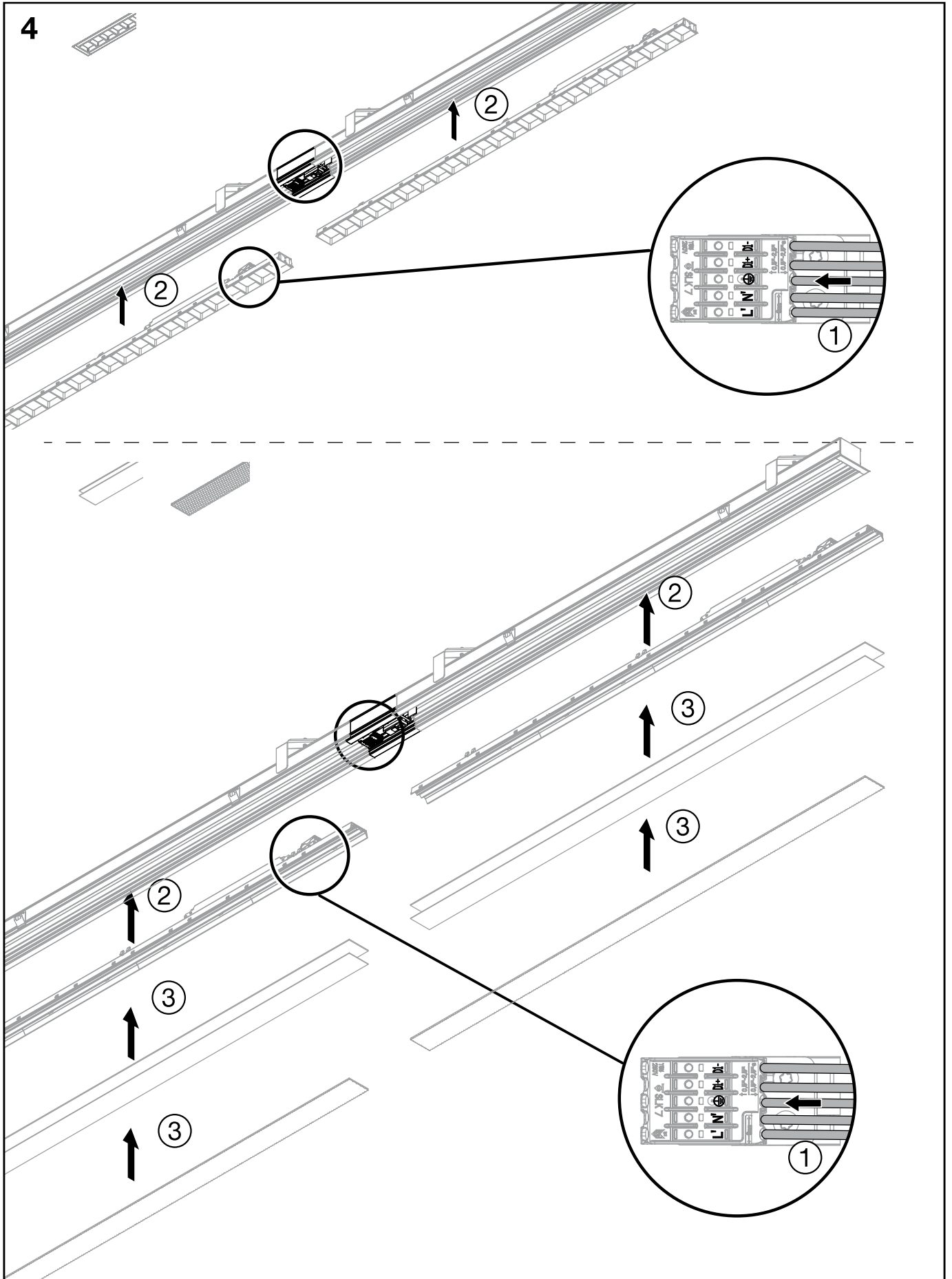


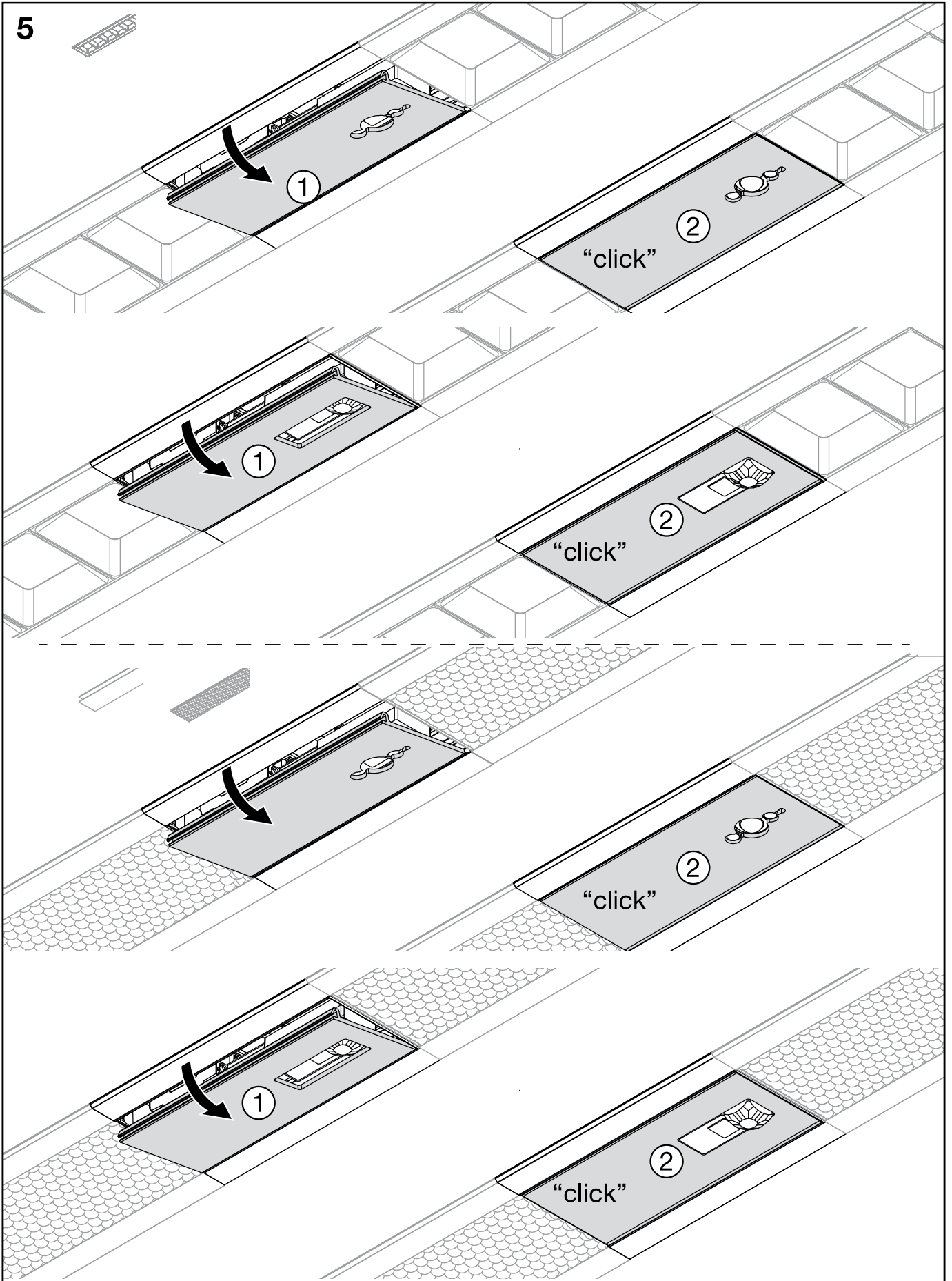
2

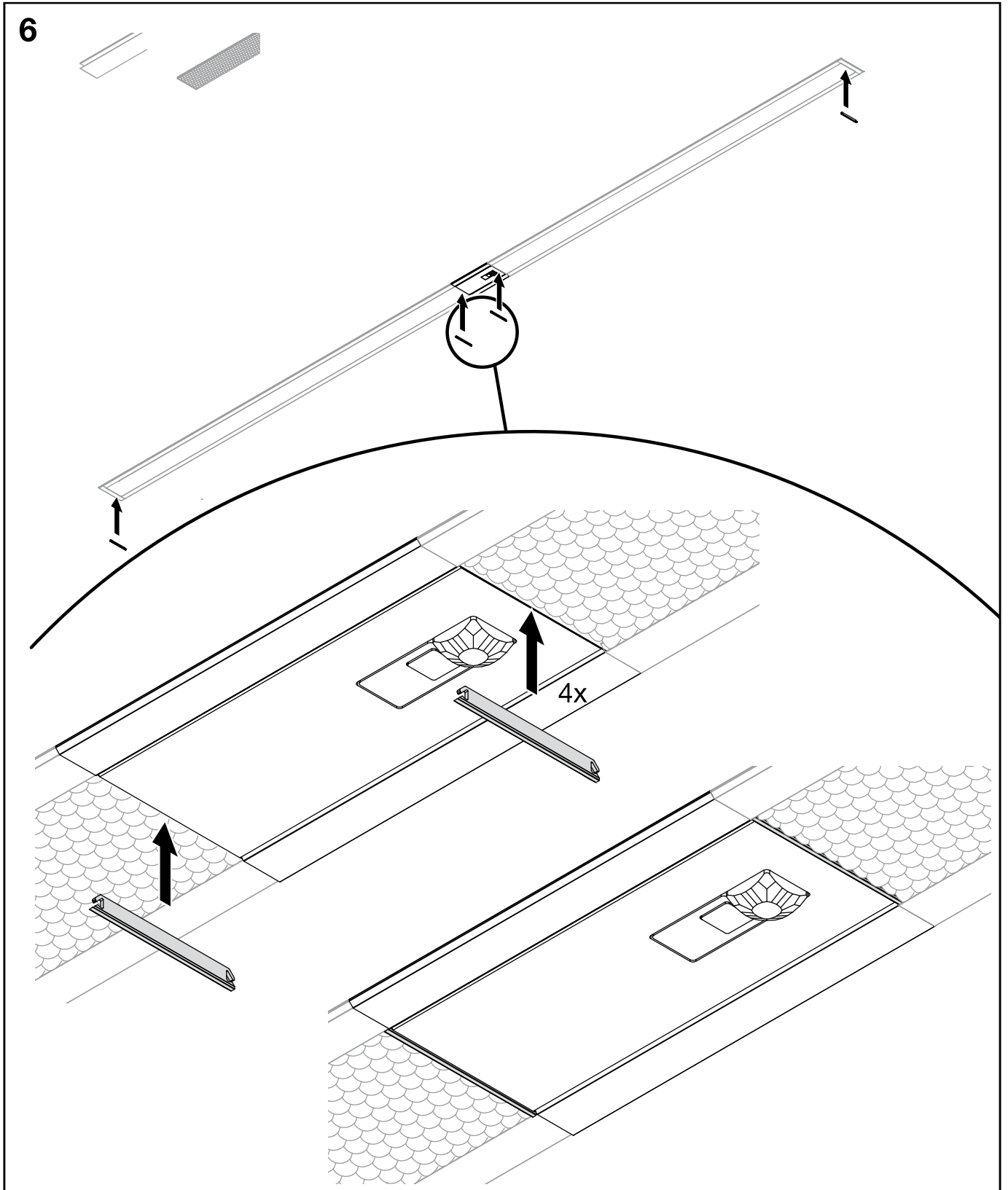


3

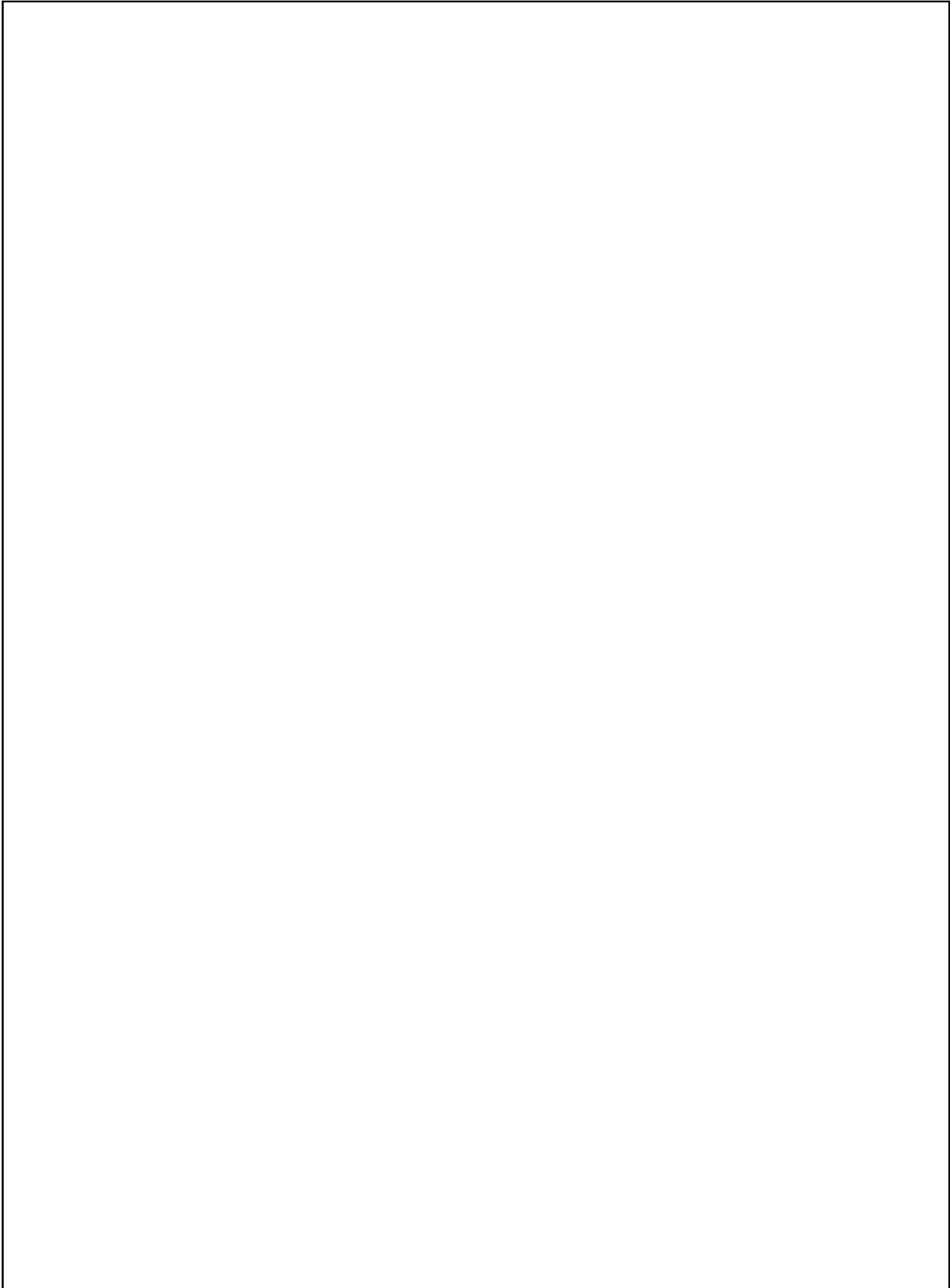


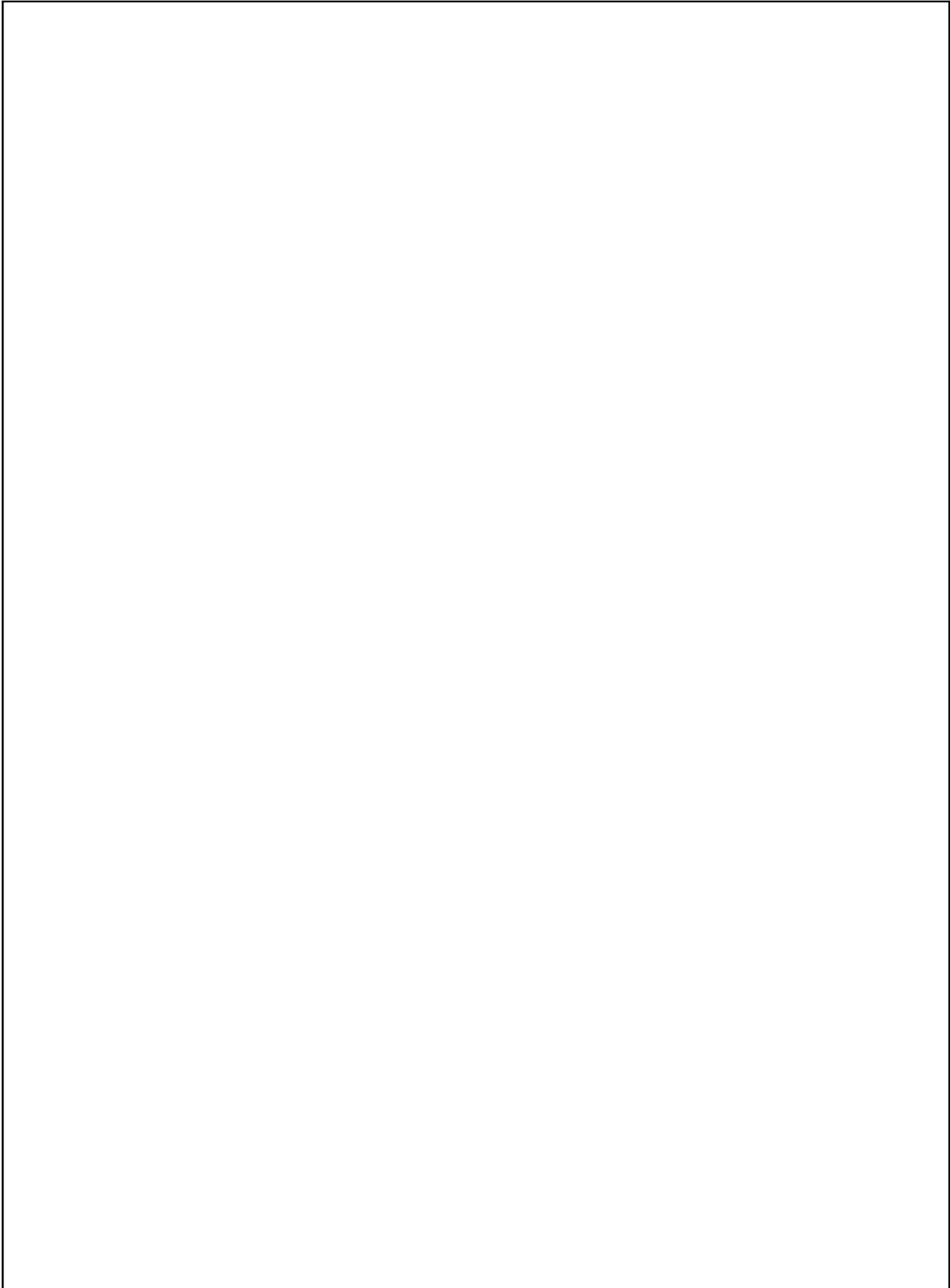


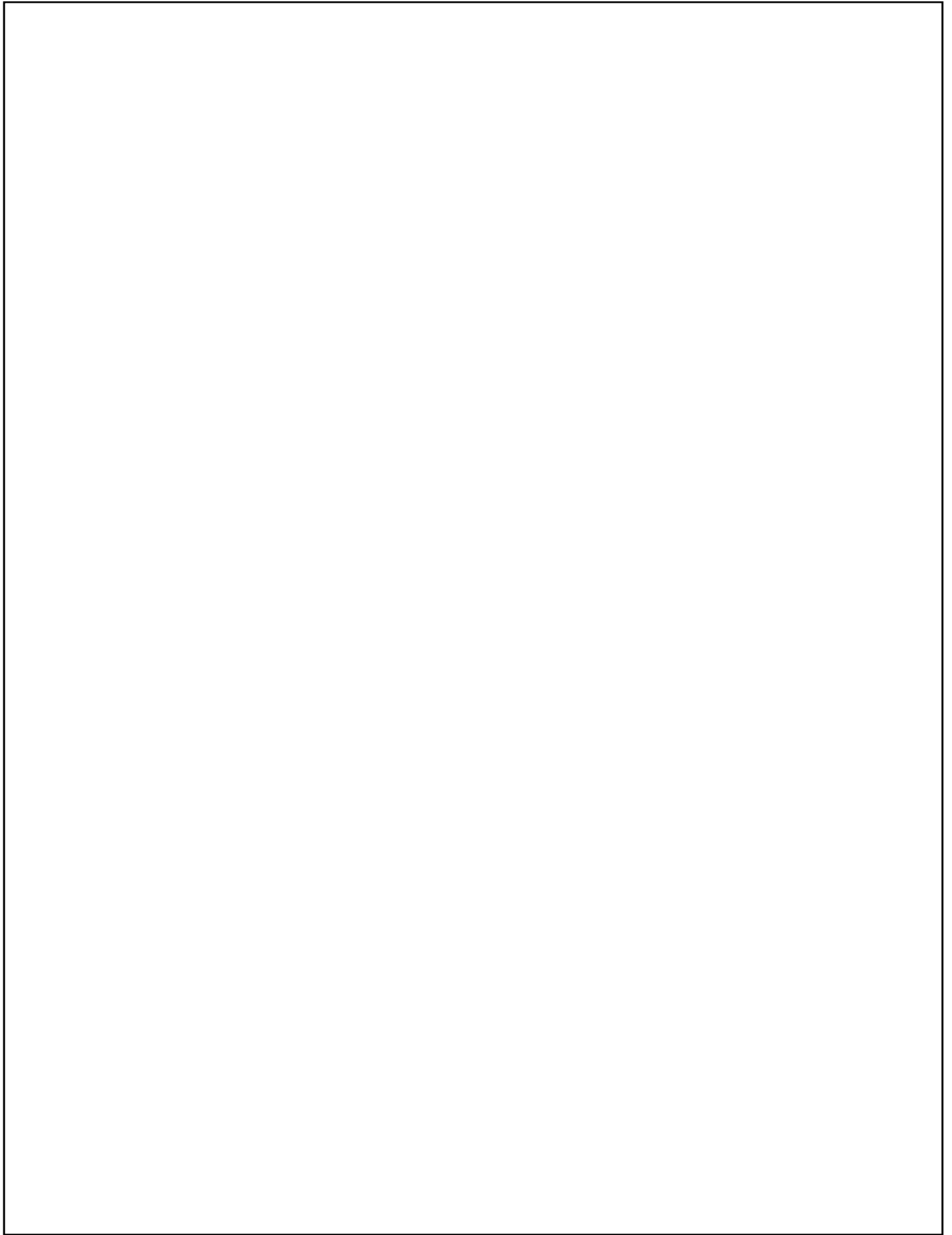




Steinel  
5LZ925603 → 







Siteco GmbH  
Georg-Simon-Ohm-Straße 50  
83301 Traunreut, Germany  
mail: [technicalsupport@siteco.de](mailto:technicalsupport@siteco.de)  
Phone: +49 8669 / 33-844  
[www.siteco.com](http://www.siteco.com)



5MA41-265017\_ab  
07.03.2023 / SCH