

Order No.: 51HLA2D14FCB | GTIN (EAN): 4058352417935

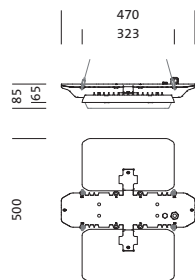
Product description: HB21,wd,13800lm840,DA



Highbay 21, LED high bay luminaire, primary light control with lens, of PMMA, light emission: direct distribution, primary light characteristic: symmetric, installation type: suspended mounting, surface-mounted, for 1x 2x LED, rated luminous flux: 13.800lm, luminous efficacy: 161lm/W, light colour: 840, colour temperature: 4000K, control gear: ECG DALI, with terminal, 5-pole, max. 2.5mm², mains connection: 230..240V, AC, 50/60Hz, rated input power: 86W, LED unit, of diecast aluminium, unplated, bead blasted, silver, length: 470mm, width: 500mm, height: 65mm, housing, of diecast aluminium, uncoated, bead blasted, silver, protection rating (complete): IP65, insulation class (complete): insulation class I (protective earthing), certification: CE, ENEC, VDE, UKCA, protection symbol: D, impact resistance: IK08 with glass or PC cover, permissible operating ambient temperature: -35..+45°C, corresponds to IFS (International Featured Standards) requirements for safety and quality in the food industry, reducing of maximum allowable ambient temperature of 5°C with ceiling mounting, packaging unit: 1 piece



Lamps:	1x 2x LED
Wt. (kg):	4.3
GTIN (EAN):	4058352417935



Order No.: 51HLA2D14FCB | GTIN (EAN): 4058352417935

Detailed technical description: HB21,wd,13800lm840,DA



Key data

- Product type: LED high bay luminaire
- Product name: Highbay 21
- Order No.: 51HLA2D14FCB

Lighting technology | Lamps | Control gear

Component 1

Lighting technology:

- Light control: lens of PMMA
- Beam angle: wide distribution
- Symmetry: symmetric
- Light emission: direct distribution
- UGR viewing direction along longitudinal luminaire axis: ≤ 22
- UGR viewing direction along lateral luminaire axis: ≤ 22

Lamps:

- Lamps: with 1x 2x LED
- Rated luminous flux: 13800lm
- Luminous efficacy: 161lm/W
- Colour temperature: 4000K
- Colour rendering index: CRI > 80
- Light colour: 840
- SDCM (Standard Deviation of Colour Matching): MacAdam ≤ 3 SDCM (initial)
- Rated input power: 86W

Operating device:

- Control gear: ECG DALI
- Control: DALI

Certificates, Standards

- Protection rating: IP65
- Insulation class: insulation class I (protective earthing)
- Impact resistance: IK08 with glass or PC cover
- Protection symbol: D
- Temperature range (operation): -35..+45°C
- Supplement: corresponds to IFS (International Featured Standards) requirements for safety and quality in the food industry, reducing of maximum allowable ambient temperature of 5°C with ceiling mounting
- Certification, designation: CE, ENEC, VDE, UKCA

Material, Colour

- LED unit: diecast aluminium, unplated, bead blasted, silver
- Quantity: 2 piece
- Colour specification: silver
- housing: diecast aluminium, uncoated, bead blasted, silver
- Quantity: 1 piece
- Colour specification: silver

Mounting

- Mounting method, mounting location: suspended mounting, surface-mounted, to wire, to the ceiling, to the chain
- Mounting height: 6..20m
- Arrangement: single arrangement
- Supplement: only suitable for indoor use, mounting accessories required, please order separately

Electrical connection

- Connection: terminal, 5-pole, max. 2.5mm²
- Nominal voltage: 230..240V, 50/60Hz, AC

Dimensions, Weight

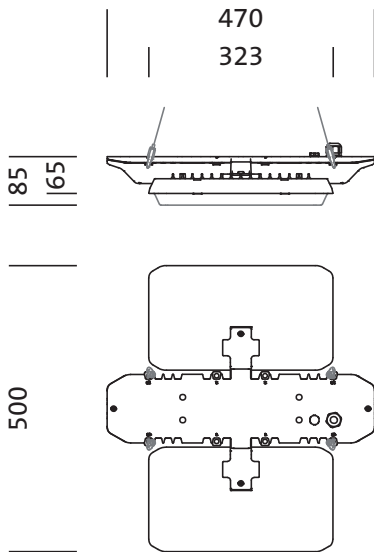
- Length: 470mm
- Width: 500mm
- Height: 65mm
- Weight: 4.3kg

Service life

- Rated service life: 50000h (L85/B50) at AT = 25°C

Order No.: 51HLA2D14FCB | GTIN (EAN): 4058352417935

Dimensions: HB21,wd,13800lm840,DA



It is mandatory that the assembly instructions must be observed when planning and installing the electrical installation (to be found at www.siteco.com)

Tolerances related to thermal, electrical and photometric data according to IEC 62722

Issued 27.10.2023 - Modifications and errors subject to change - Ensure that you always use the latest version -

Order No.: 51HLA2D14FCB | GTIN (EAN): 4058352417935

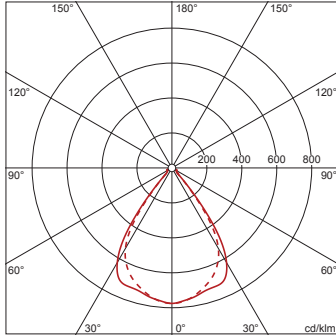
Planning data: HB21,wd,13800lm840,DA

51HLA2D14FCB: 1x LED

4058352417935

51HLA2D14FCB

LED 4000 K | CRI ≥ 80 ϕ_N 13800 lm



ϕ_{\downarrow} 100% ϕ_{\uparrow} 0%

Luminance values (cd/m²)

	C 0/180	C 90/270
L ₈₀	2897	4878
L ₇₀	10901	11807
L ₆₅	11230	10725

UGR 20.9 20.8

X 4H Y 8H ρ 70/50/20 S 0.25H

It is mandatory that the assembly instructions must be observed when planning and installing the electrical installation (to be found at www.siteco.com)

Tolerances related to thermal, electrical and photometric data according to IEC 62722

Issued 27.10.2023 - Modifications and errors subject to change - Ensure that you always use the latest version -