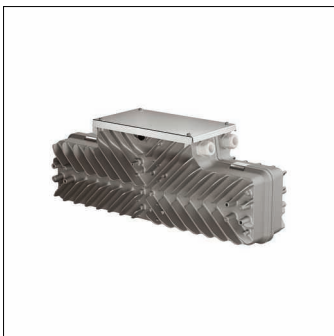


Order No.: 5XA7106W01000 | GTIN (EAN): 4058352349038

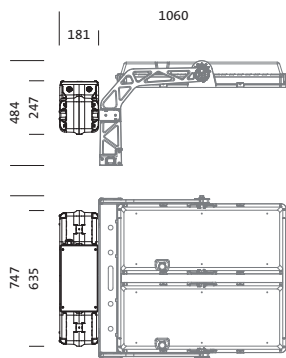
Product description: Sirius, ECG-unit, DMX, IC1, w. airhandl



Sirius®, ECG unit, 3/4-pole (3/4G), max. 2.5mm² + 2xRJ45 (DMX In/Out), control gear: DMX, with terminal, mains connection: 220..240V/380..415V, AC, 50/60Hz, with system connector or terminal, ECG unit, of diecast aluminium, powder-coated, Siteco® metallic grey (DB 702S), length: 635mm, width: 181mm, height: 247mm, protection rating (complete): IP66, insulation class (complete): insulation class I (protective earthing), certification: CE, ENEC, packaging unit: 1 piece



Wt. (kg): 10.0
GTIN (EAN): 4058352349038



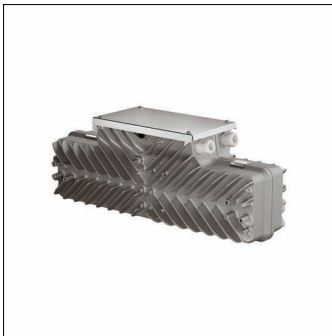
It is mandatory that the assembly instructions must be observed when planning and installing the electrical installation (to be found at www.siteco.com)

Tolerances related to thermal, electrical and photometric data according to IEC 62722

Issued 09.05.2025 - Modifications and errors subject to change - Ensure that you always use the latest version -

Order No.: 5XA7106W01000 | GTIN (EAN): 4058352349038

Detailed technical description: Sirius, ECG-unit, DMX, IC1, w. airhandl



Key data

- Product type: ECG unit
- Product name: Sirius®
- Order No.: 5XA7106W01000

Lighting technology | Lamps | Control gear

Component 1

Lamps:

- Supplement: operation only permissible with connected neutral conductor

Operating device:

- Control gear: ECG
- Control: DMX

Certificates, Standards

- Protection rating: IP66
- Insulation class: insulation class I (protective earthing)
- Certification, designation: CE, ENEC

Material, Colour

- ECG unit: diecast aluminium, powder-coated, Siteco® metallic grey (DB 702S)
- Colour specification: Siteco® metallic grey (DB 702S)

Electrical connection

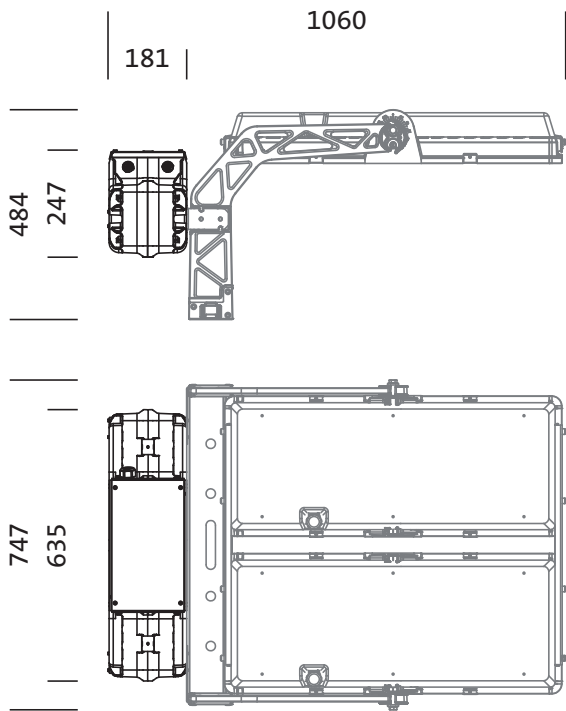
- Connection: terminal
- Nominal voltage: 220..240V/380..415V, 50/60Hz, AC

Dimensions, Weight

- Length: 635mm
- Width: 181mm
- Height: 247mm
- Weight: 10.0kg

Order No.: 5XA7106W01000 | GTIN (EAN): 4058352349038

Dimensions: Sirius, ECG-unit, DMX, IC1, w. airhandl



It is mandatory that the assembly instructions must be observed when planning and installing the electrical installation (to be found at www.siteco.com)

Tolerances related to thermal, electrical and photometric data according to IEC 62722

Issued 09.05.2025 - Modifications and errors subject to change - Ensure that you always use the latest version -