

Order No.: 51WC10MA32A | GTIN (EAN): 4058352616895

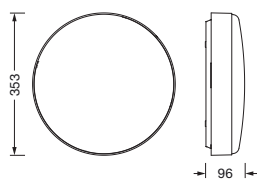
Product description: ROU31,2450lm830,ML,Ø350



Round 31, wall and ceiling luminaire, primary optical cover: cover, of PC, opal, light emission: direct distribution, primary light characteristic: symmetric, installation type: surface-mounted, LED, rated luminous flux: 2.450lm, luminous efficacy: 129lm/W, light colour: 830, colour temperature: 3000K, control gear: ON/OFF Multilumen, with terminal, 3-pole, max. 2.5mm², mains connection: 220..240V, AC, 50/60Hz, rated input power: 19W, luminaire housing, of PC, traffic white (RAL 9016), diameter: 350mm, protection rating (complete): IP65, insulation class (complete): insulation class II (safety insulation), certification: CE, impact resistance: IK10, permissible operating ambient temperature: -20..+40°C, permissible storage temperature: -20..+60°C, packaging unit: 1 piece

IP 65 IK 10  

Lamps:	LED
Wt. (kg):	1.7
GTIN (EAN):	4058352616895



Order No.: 51WC10MA32A | **GTIN (EAN):** 4058352616895

Detailed technical description: ROU31,2450lm830,ML,Ø350



Key data

- Product type: wall and ceiling luminaire
- Product name: Round 31
- Order No.: 51WC10MA32A

Lighting technology | Lamps | Control gear

Component 1

Lighting technology:

- Cover: cover, opal
- Beam angle: extremely wide distribution
- Symmetry: symmetric
- Light emission: direct distribution
- UGR viewing direction along longitudinal luminaire axis: ≤ 25
- UGR viewing direction along lateral luminaire axis: ≤ 25

Lamps:

- Lamps: with LED
- Rated luminous flux: 2450lm
- Luminous efficacy: 129lm/W
- Colour temperature: 3000K
- Colour rendering index: CRI > 80
- Light colour: 830
- SDCM (Standard Deviation of Colour Matching): MacAdam ≤ 3 SDCM (initial)
- Rated input power: 19W
- Supplement: luminous flux adjustable on luminaire in four steps (1800/2040/2280/2450lm), connected load according to luminous flux setting (13.5/15.5/17.5/19W)

Operating device:

- Control: ON/OFF Multilumen

Certificates, Standards

- Protection rating: IP65
- Insulation class: insulation class II (safety insulation)
- Impact resistance: IK10
- Temperature range (operation): -20..+40°C
- Certification, designation: CE

Material, Colour

- luminaire housing: PC, traffic white (RAL 9016)
- Cover: cover of PC

Mounting

- Mounting method, mounting location: surface-mounted, to the ceiling, to the wall

Electrical connection

- Connection: terminal, 3-pole, max. 2.5mm²
- Nominal voltage: 220..240V, 50/60Hz, AC

Dimensions, Weight

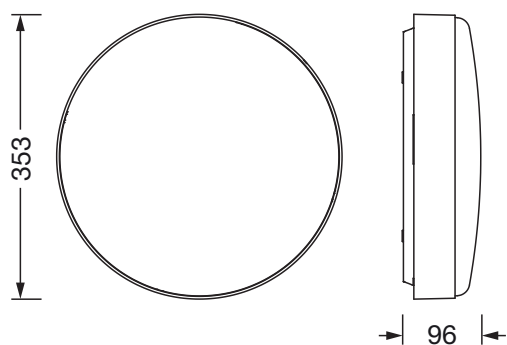
- Diameter: 350mm
- Weight: 1.7kg

Service life

- Rated service life: 50000h (L80/B50) at AT = 25°C

Order No.: 51WC10MA32A | GTIN (EAN): 4058352616895

Dimensions: ROU31,2450lm830,ML,Ø350



It is mandatory that the assembly instructions must be observed when planning and installing the electrical installation (to be found at www.siteco.com)

Tolerances related to thermal, electrical and photometric data according to IEC 62722

Issued 14.02.2026 - Modifications and errors subject to change - Ensure that you always use the latest version -