

Order No.: 5EA3BEL01 | GTIN (EAN): 4058352641316

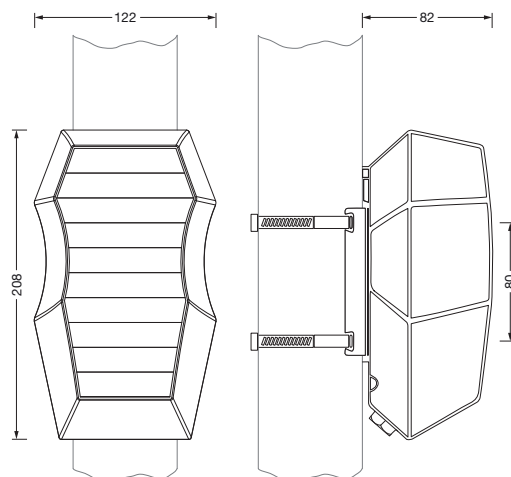
Product description: SConWi,MastBoxMotLow



SITECO Connect Wireless Mast Box Motion Low, installation type: surface-mounted, installation location: to mast, of plastic, voltage: 230V, voltage type: AC, 2.4GHz, local mesh radio network, DALI, local setting and operation with USB stick, by movement, optionally via radio push button, 1 PIR movement sensor, radio, 2.4GHz, protection rating (complete): IP65, certification: CE, packaging unit: 1 piece

IP 65 CE

Wt. (kg): 0.8  
GTIN (EAN): 4058352641316



It is mandatory that the assembly instructions must be observed when planning and installing the electrical installation (to be found at [www.siteco.com](http://www.siteco.com))

Tolerances related to thermal, electrical and photometric data according to IEC 62722

Issued 12.04.2024 - Modifications and errors subject to change - Ensure that you always use the latest version -

Order No.: 5EA3BEL01 | GTIN (EAN): 4058352641316

Detailed technical description: SConWi,MastBoxMotLow



#### Key data

- Product type: sensor
- Product name: SITECO Connect Wireless
- Order No.: 5EA3BEL01

#### Lighting technology | Lamps | Control gear

#### Component 1

#### Operating device:

- Control: DALI

#### Certificates, Standards

- Protection rating: IP65
- Temperature range (operation): -25..+80°C
- Certification, designation: CE

#### Material, Colour

- housing: plastic, dark grey
- Colour specification: dark grey

#### Mounting

- Mounting method, mounting location: surface-mounted, to mast
- Mounting height: 0..6m

#### Electrical connection

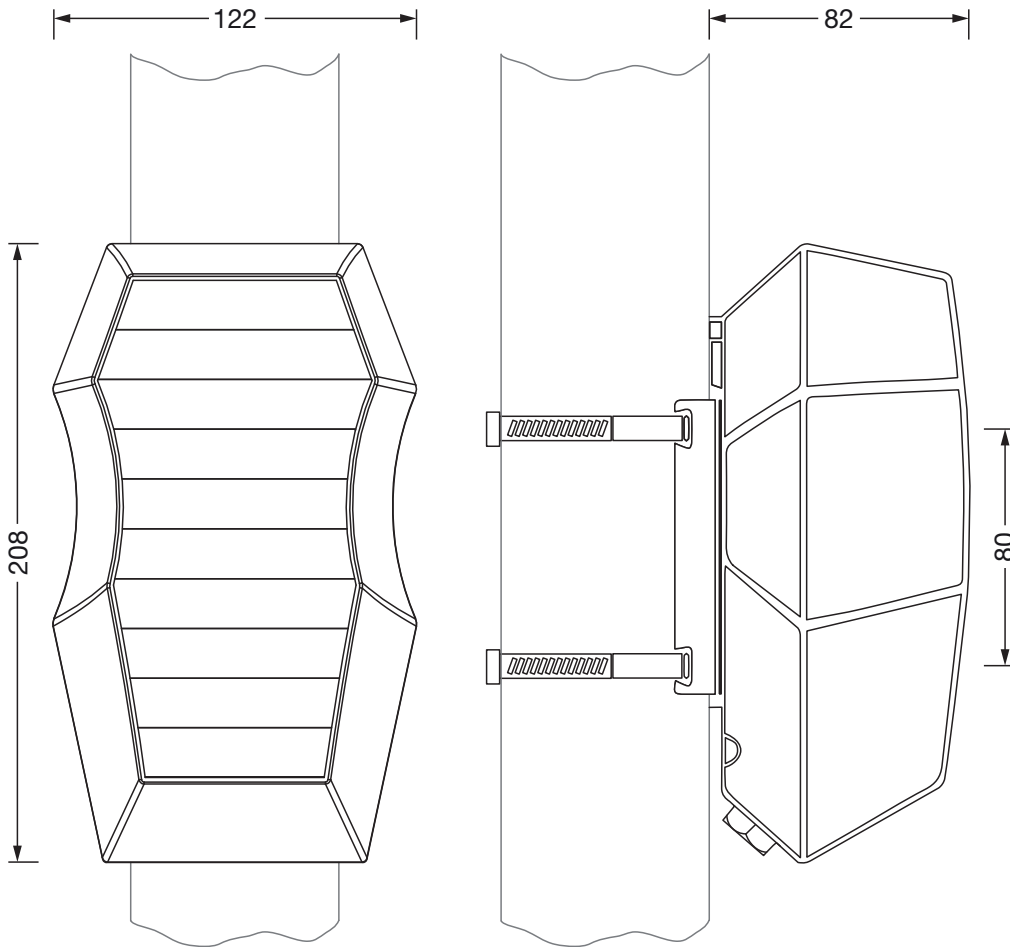
- Nominal voltage: 230V, AC

#### Dimensions, Weight

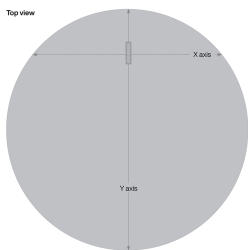
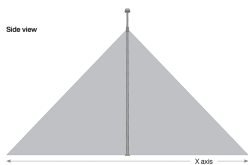
- Weight: 0.8kg

Order No.: 5EA3BEL01 | GTIN (EAN): 4058352641316

Dimensions: SConWi,MastBoxMotLow



Detection zone "Mast Box Motion Low"  
5EA3BEL01



Mounting height	X axis	Y axis
5.0 m	8.5 m	8.8 m
6.0 m	10.2 m	10.6 m

It is mandatory that the assembly instructions must be observed when planning and installing the electrical installation (to be found at [www.siteco.com](http://www.siteco.com))  
Tolerances related to thermal, electrical and photometric data according to IEC 62722  
Issued 12.04.2024 - Modifications and errors subject to change - Ensure that you always use the latest version -