

Order No.: 5EA3BG01 | GTIN (EAN): 4058352524176

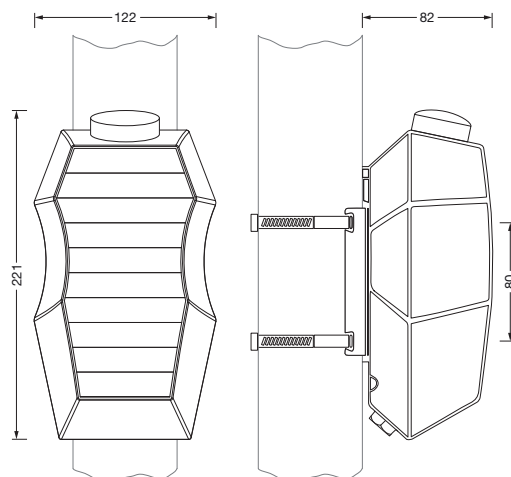
Product description: SConWi,MastBoGPS



SITECO Connect WirelessMast Box GPS, installation type: surface-mounted, installation location: to mast, of plastic, protection rating (complete): IP65, certification: CE, voltage: 230V, voltage type: AC, GPS, radio, 2.4GHz, packaging unit: 1 piece

IP 65 CE

Wt. (kg): 0.8
GTIN (EAN): 4058352524176



Order No.: 5EA3BG01 | GTIN (EAN): 4058352524176

Detailed technical description: SConWi,MastBoGPS



Key data

- Product type: luminaire controller
- Product name: SITECO Connect Wireless
- Order No.: 5EA3BG01

Lighting technology | Lamps | Control gear

Component 1

Operating device:

- Control: DALI

Certificates, Standards

- Protection rating: IP65
- Temperature range (operation): -25..+80°C
- Certification, designation: CE

Material, Colour

- housing: plastic, dark grey
- Colour specification: dark grey

Mounting

- Mounting method, mounting location: surface-mounted, to mast
- Mounting height: 0..6m

Electrical connection

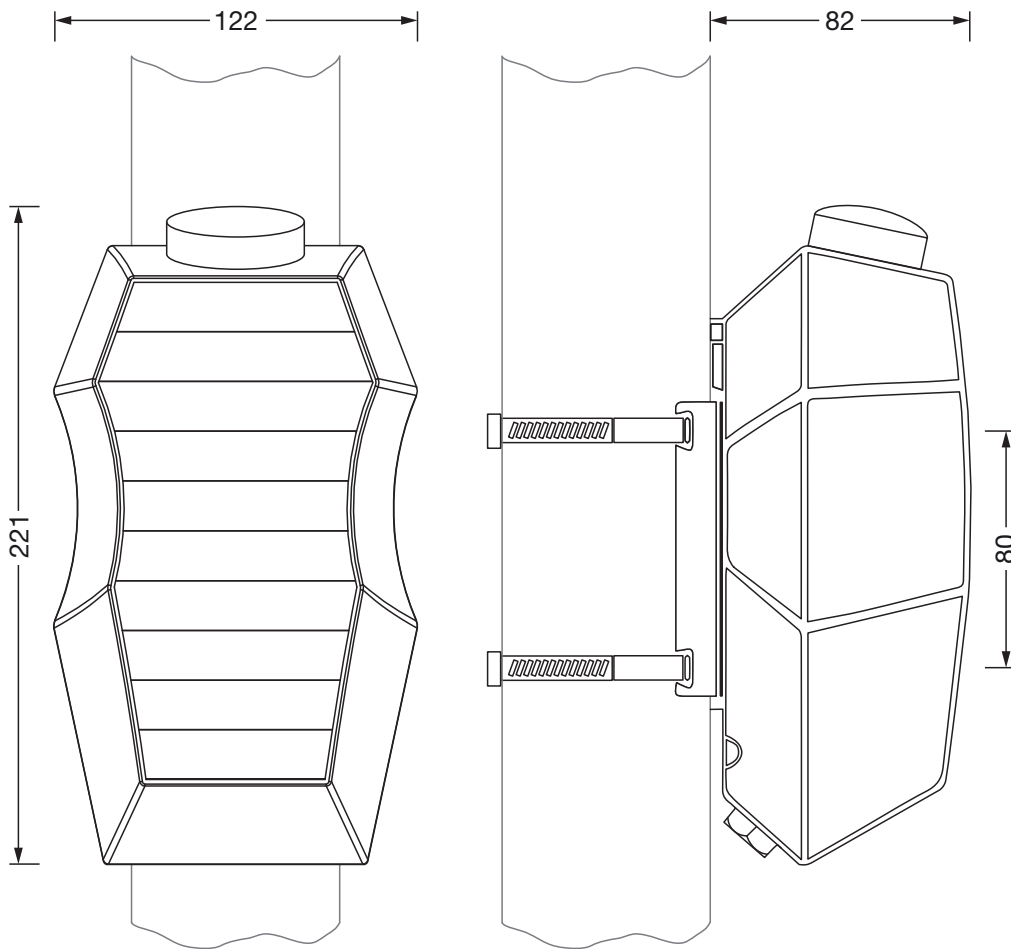
- Nominal voltage: 230V, AC

Dimensions, Weight

- Weight: 0.8kg

Order No.: 5EA3BG01 | GTIN (EAN): 4058352524176

Dimensions: SConWi,MastBoGPS



It is mandatory that the assembly instructions must be observed when planning and installing the electrical installation (to be found at www.siteco.com)
Tolerances related to thermal, electrical and photometric data according to IEC 62722
Issued 21.10.2023 - Modifications and errors subject to change - Ensure that you always use the latest version -