

Order No.: 51TP11CN4DXRD | **GTIN (EAN):** 4058352418390

Product description: Lic11Pr,nrrw,13240lm840,MLCi,IP64,L1500



Licross® 11 Protected HO, luminaire insert, of sheet steel, galvanised, coil coated, white, length: 1.500mm, width: 90mm, height: 101mm, LED rated luminous flux: 13.240lm, light colour: 840, control gear: ON/OFF Multilumen, CLOi, control gear: ECG Multilumen, with plug, 6-pole, with phase selection, mains connection: 220..240V, AC/DC, 0/50..60Hz, start of lifetime: 76W, end of service life: 86W, without changeover relay, for emergency light function, for central battery installations according to DIN EN 60598-2-22, halogen-free wiring, primary optical cover: cover, of PMMA, light emission: direct distribution, primary light characteristic: symmetric, protection rating (complete): IP64, insulation class (complete): insulation class I (protective earthing), certification: CE, ENEC, VDE, UKCA, protection symbol: D if used in an environment without relevant dust loads with corresponding accessories, impact resistance: IK06, permissible ambient temperature for indoor applications: -35..+40°C, standard: EN 60598-2-22, reducing of maximum allowable ambient temperature of 5°C with ceiling mounting, corresponds to IFS (International Featured Standards) requirements for safety and quality in the food industry, LABS conformity tested according to VDMA 24364:2018-05, packaging unit: 1 piece



Lamps:	LED
Wt. (kg):	2.9
GTIN (EAN):	4058352418390



Order No.: 51TP11CN4DXRD | **GTIN (EAN):** 4058352418390

Detailed technical description: Lic11Pr, nrrw, 13240lm840, MLCi, IP64, L1500



Key data

- Product type: luminaire insert
- Product name: Licross® 11 Protected HO
- Order No.: 51TP11CN4DXRD

Lighting technology | Lamps | Control gear

Component 1

Lighting technology:

- Cover: cover
- Beam angle: narrow distribution
- Symmetry: symmetric
- Light emission: direct distribution
- UGR viewing direction along longitudinal luminaire axis: ≤ 22
- UGR viewing direction along lateral luminaire axis: ≤ 22

Lamps:

- Lamps: with LED
- Rated luminous flux: 13240lm
- Luminous efficacy: 173lm/W
- Colour temperature: 4000K
- Colour rendering index: CRI > 80
- Light colour: 840
- SDCM (Standard Deviation of Colour Matching): MacAdam ≤ 3 SDCM (initial)
- Rated input power begin service life: 76
- Rated input power end service life: 86
- Supplement: without changeover relay, for emergency light function, for central battery installations according to DIN EN 60598-2-22, halogen-free wiring

Operating device:

- Control gear: ECG Multilumen
- Control: ON/OFF Multilumen, CLOi

Certificates, Standards

- Protection rating: IP64
- Insulation class: insulation class I (protective earthing)
- Impact resistance: IK06
- Protection symbol: D if used in an environment without relevant dust loads with corresponding accessories
- Temperature range (operation): -35..+40°C
- Supplement: corresponds to IFS (International Featured Standards) requirements for safety and quality in the food industry, reducing of maximum allowable ambient temperature of 5°C with ceiling mounting, LABS conformity tested according to VDMA 24364:2018-05
- Standard: EN 60598-2-22
- Certification, designation: CE, ENEC, VDE, UKCA

Material, Colour

- Licross® LED insert: sheet steel, galvanised, coil coated, white
- Colour specification: white
- Cover: cover of PMMA

Mounting

- Mounting method, mounting location: slip-in mounting, in the Licross® trunking rail
- Arrangement: single/continuous arrangement
- Supplement: only suitable for indoor use

Electrical connection

- Connection: plug, 6-pole, with phase selection
- Nominal voltage: 220..240V, 0/50..60Hz, AC/DC

Dimensions, Weight

- Length: 1500mm
- Width: 90mm
- Height: 101mm
- Weight: 2.9kg

Service life

- Rated service life: 70000h (L100/B50) at AT = 25°C

Order No.: 51TP11CN4DXRD | GTIN (EAN): 4058352418390

Dimensions: Lic11Pr,nrrw,13240Im840,MLCi,IP64,L1500



It is mandatory that the assembly instructions must be observed when planning and installing the electrical installation (to be found at www.siteco.com)

Tolerances related to thermal, electrical and photometric data according to IEC 62722

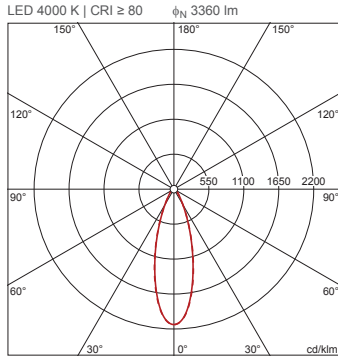
Issued 01.03.2024 - Modifications and errors subject to change - Ensure that you always use the latest version -

Order No.: 51TP11CN4DXRD | **GTIN (EAN):** 4058352418390

Planning data: Lic11Pr,nrrw,13240lm840,MLCi,IP64,L1500

**51TP11CN4DXRD: 1x LED;
emergency light operation
rated luminous flux: DC
mode (central or group
accumulator) initial
emergency light level**

4058352418390
51TP11CN4DXRD



ϕ_{\downarrow} 99% ϕ_{\uparrow} 1%

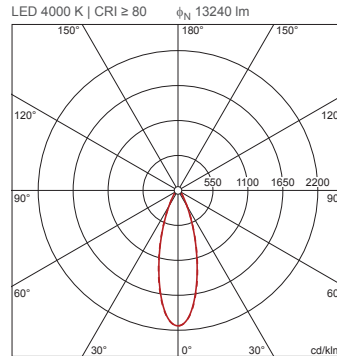
Luminance values (cd/m²)

	C 0/180	C 90/270
L ₈₀	1398	1350
L ₇₀	1662	1802
L ₆₅	1862	2029

UGR 15.4 14.3
X 4H Y 8H ρ 70/50/20 S 0.25H

**51TP11CN4DXRD: 1x LED;
factory setting AC mode: AC-
mode**

4058352418390
51TP11CN4DXRD



ϕ_{\downarrow} 99% ϕ_{\uparrow} 1%

Luminance values (cd/m²)

	C 0/180	C 90/270
L ₈₀	5509	5320
L ₇₀	6550	7101
L ₆₅	7339	7997

UGR 20.1 19.1
X 4H Y 8H ρ 70/50/20 S 0.25H