

**Order No.:** 51HLASD14FGA | **GTIN (EAN):** 4058352367407

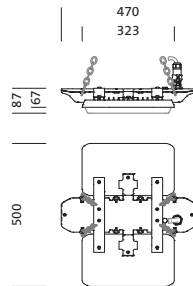
**Product description:** HB11,wd,14400lm840,DA,bir



Highbay 11, LED high bay luminaire, primary light control with lens, of PMMA, light emission: direct distribution, primary light characteristic: symmetric, installation type: suspended mounting, for 1x 2x LED, rated luminous flux: 14.400lm, luminous efficacy: 177lm/W, light colour: 840, colour temperature: 4000K, control gear: ECG DALI, with terminal, 5-pole, max. 2.5mm<sup>2</sup>, mains connection: 230..240V, AC, 50/60Hz, rated input power: 81W, LED unit, of diecast aluminium, unplated, bead blasted, silver, length: 470mm, width: 500mm, height: 65mm, housing, of diecast aluminium, uncoated, bead blasted, silver, protection rating (complete): IP20, insulation class (complete): insulation class I (protective earthing), certification: CE, ENEC, VDE, UKCA, protection symbol: D, ball protection: ball impact resistant according to DIN VDE 0710 part 13 (with chain suspension), permissible operating ambient temperature: -35..+55°C, corresponds to IFS (International Featured Standards) requirements for safety and quality in the food industry, reducing of maximum allowable ambient temperature of 5°C with ceiling mounting, packaging unit: 1 piece



Lamps: 1x 2x LED  
 Wt. (kg): 4.3  
 GTIN (EAN): 4058352367407



Order No.: 51HLASD14FGA | GTIN (EAN): 4058352367407

Detailed technical description: HB11,wd,14400lm840,DA,bir



### Key data

- Product type: LED high bay luminaire
- Product name: Highbay 11
- Order No.: 51HLASD14FGA

### Lighting technology | Lamps | Control gear

#### Component 1

#### Lighting technology:

- Light control: lens of PMMA
- Beam angle: wide distribution
- Symmetry: symmetric
- Light emission: direct distribution
- UGR viewing direction along longitudinal luminaire axis:  $\leq 22$
- UGR viewing direction along lateral luminaire axis:  $\leq 22$

#### Lamps:

- Lamps: with 1x 2x LED
- Rated luminous flux: 14400lm
- Luminous efficacy: 177lm/W
- Colour temperature: 4000K
- Colour rendering index: CRI > 80
- Light colour: 840
- SDCM (Standard Deviation of Colour Matching): MacAdam  $\leq 3$  SDCM (initial)
- Rated input power: 81W

#### Operating device:

- Control gear: ECG DALI
- Control: DALI

#### Certificates, Standards

- Protection rating: IP20
- Insulation class: insulation class I (protective earthing)
- Protection symbol: D
- Temperature range (operation): -35..+55°C
- Supplement: corresponds to IFS (International Featured Standards) requirements for safety and quality in the food industry, reducing of maximum allowable ambient temperature of 5°C with ceiling mounting
- Certification, designation: CE, ENEC, VDE, UKCA

### Material, Colour

- LED unit: diecast aluminium, unplated, bead blasted, silver
- Quantity: 2 piece
- Colour specification: silver
- housing: diecast aluminium, uncoated, bead blasted, silver
- Quantity: 1 piece
- Colour specification: silver

### Mounting

- Mounting method, mounting location: suspended mounting, to the chain
- Mounting height: 6..20m
- Arrangement: single arrangement
- Supplement: only suitable for indoor use, mounting accessories required, please order separately

### Electrical connection

- Connection: terminal, 5-pole, max. 2.5mm<sup>2</sup>
- Nominal voltage: 230..240V, 50/60Hz, AC

### Dimensions, Weight

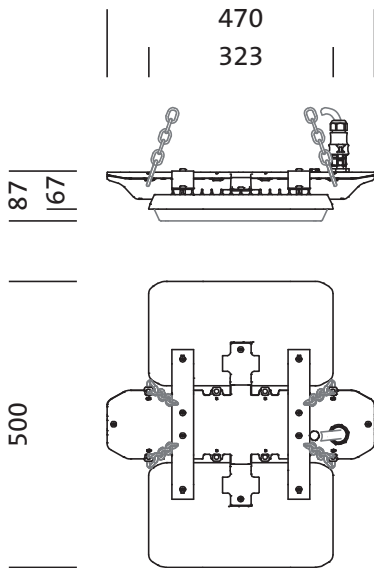
- Length: 470mm
- Width: 500mm
- Height: 65mm
- Weight: 4.3kg

### Service life

- Rated service life: 100000h (L85/B50) at AT = 25°C, 70000h (L85/B50) at AT = 55°C

Order No.: 51HLASD14FGA | GTIN (EAN): 4058352367407

Dimensions: HB11,wd,14400lm840,DA,bir



Order No.: 51HLASD14FGA | GTIN (EAN): 4058352367407

Planning data: HB11,wd,14400lm840,DA,bir

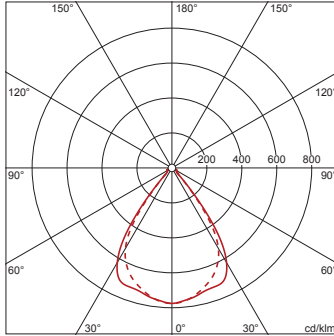
## 51HLASD14FGA: 1x LED

4058352367407

51HLASD14FGA

LED 4000 K | CRI  $\geq$  80

$\phi_N$  14400 lm



$\phi_{\downarrow}$  100%  $\phi_{\uparrow}$  0%

Luminance values (cd/m<sup>2</sup>)

	C 0/180	C 90/270
L <sub>80</sub>	3023	5090
L <sub>70</sub>	11375	12320
L <sub>65</sub>	11719	11191

UGR 21 20.9

X 4H Y 8H  $\rho$  70/50/20 S 0.25H

It is mandatory that the assembly instructions must be observed when planning and installing the electrical installation (to be found at [www.siteco.com](http://www.siteco.com))

Tolerances related to thermal, electrical and photometric data according to IEC 62722

Issued 27.10.2023 - Modifications and errors subject to change - Ensure that you always use the latest version -