

Order No.: 59MX1BW000WA | GTIN (EAN): 4058352608760

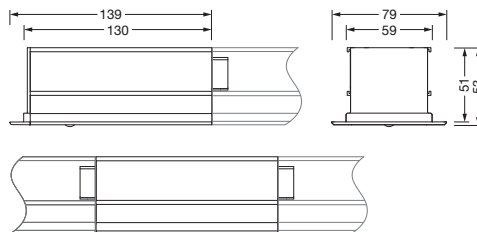
Product description: Sil21,SensMoPR3S,lokCtrl,PIR-sens



Silica® 21sensor module PR3-S, slave, local control, dimmable, installation arrangement: single/continuous arrangement, installation type: slip-in mounting, installation location: to the luminaire, of extruded aluminium section, protection rating (complete): IP20, insulation class (complete): insulation class I (protective earthing), certification: CE, 1 x PIR movement sensor, 1 x light sensor, packaging unit: 1 piece

IP 20  

Wt. (kg): 0.3  
GTIN (EAN): 4058352608760



It is mandatory that the assembly instructions must be observed when planning and installing the electrical installation (to be found at [www.siteco.com](http://www.siteco.com))

Tolerances related to thermal, electrical and photometric data according to IEC 62722

Issued 17.11.2023 - Modifications and errors subject to change - Ensure that you always use the latest version -

Order No.: 59MX1BW000WA | GTIN (EAN): 4058352608760

Detailed technical description: Sil21,SensMoPR3S,lokCtrl,PIR-sens

#### Key data

- System family: SITECO Connect 31 Wireless
- Product type: lighting management components
- Product name: Silica® 21
- Order No.: 59MX1BW000WA

#### Lighting technology | Lamps | Control gear

##### Component 1

#### Operating device:

- Control: Bluetooth® mesh 4.2, dimmable

#### Certificates, Standards

- Protection rating: IP20
- Insulation class: insulation class I (protective earthing)
- Temperature range (operation): 0..+40°C
- Certification, designation: CE

#### Material, Colour

- housing: extruded aluminium section, anodised, traffic white (RAL 9016), for luminaires with darklight reflector
- Colour specification: traffic white (RAL 9016)

#### Mounting

- Mounting method, mounting location: slip-in mounting, to the luminaire
- Mounting height: 2.5..5m
- Arrangement: single/continuous arrangement
- Supplement: for recessed luminaires

#### Dimensions, Weight

- Length: 139mm
- Width: 53mm
- Height: 54mm
- Weight: 0.3kg

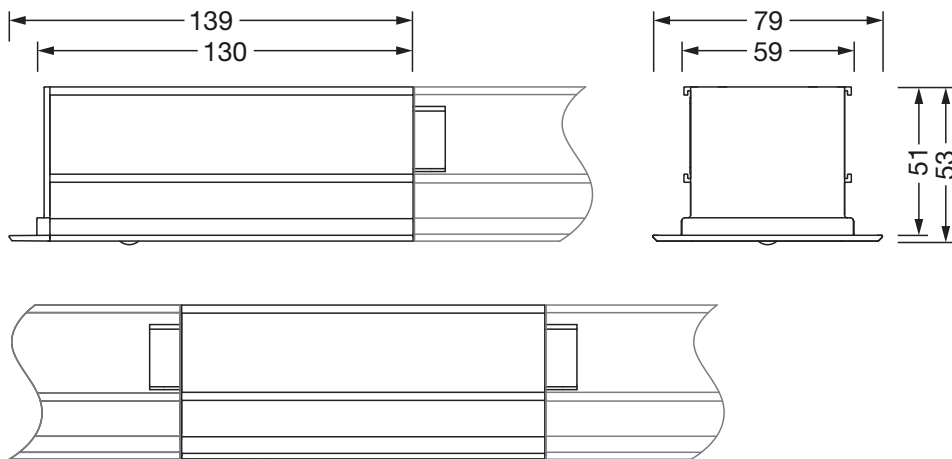
#### Inputs

##### 1x PIR movement sensor

- Connection: PIR sensor (passive-infrared)

Order No.: 59MX1BW000WA | GTIN (EAN): 4058352608760

Dimensions: Sil21,SensMoPR3S,lokCtrl,PIR-sens



### Sensor PR3

Mh	R	T	P
2,5m	ca. 3x3m	ca. 4x5m	ca. 2x2m
3,5m	ca. 4x4m	ca. 5x6m	ca. 3x3m

It is mandatory that the assembly instructions must be observed when planning and installing the electrical installation (to be found at [www.siteco.com](http://www.siteco.com))

Tolerances related to thermal, electrical and photometric data according to IEC 62722

Issued 17.11.2023 - Modifications and errors subject to change - Ensure that you always use the latest version -