

Order No.: 51MQ14WD2T12 | **GTIN (EAN):** 4058352390610

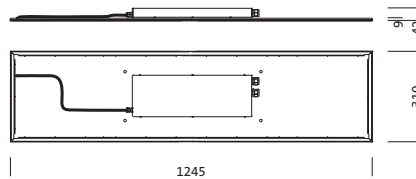
Product description: Apollon[®] 21, 1245x307, 4200lm8tw, DT8, 5p



Apollon[®] 21 linear, office luminaire, primary optical cover: micro prismatic cover, of PMMA, CAT 2 ($L \leq 3000 \text{cd/m}^2$), light emission: direct distribution, primary light characteristic: symmetric, installation type: lay-in mounting, LED, rated luminous flux: 4.200lm, luminous efficacy: 96lm/W, light colour: 8tw, colour temperature: 2700..6500K, with terminal, 5-pole, mains connection: 220..240V, AC, 50/60Hz, rated input power: 44W, housing, of aluminium, coated, pure white, length: 1.245mm, width: 307mm, height: 30mm, housing upper side, of sheet steel, galvanised, protection rating (complete): IP20, protection rating (lamp compartment, on room side): IP50, insulation class (complete): insulation class I (protective earthing), certification: CE, ENEC, packaging unit: 1 piece



Lamps:	LED
Wt. (kg):	5.4
GTIN (EAN):	4058352390610



It is mandatory that the assembly instructions must be observed when planning and installing the electrical installation (to be found at www.siteco.com)

Tolerances related to thermal, electrical and photometric data according to IEC 62722

Issued 02.02.2024 - Modifications and errors subject to change - Ensure that you always use the latest version -

Order No.: 51MQ14WD2T12 | **GTIN (EAN):** 4058352390610

Detailed technical description: Apol21l,1245x307,4200lm8tw,DT8,5p



Key data

- Product type: office luminaire
- Product name: Apollon® 21 linear
- Order No.: 51MQ14WD2T12

Lighting technology | Lamps | Control gear

Component 1

Lighting technology:

- Cover: micro prismatic cover
- Beam angle: wide distribution, 90°
- Symmetry: symmetric
- Light emission: direct distribution
- UGR viewing direction along longitudinal luminaire axis: ≤ 19
- UGR viewing direction along lateral luminaire axis: ≤ 19

Lamps:

- Lamps: with LED
- Rated luminous flux: 4200lm
- Luminous efficacy: 96lm/W
- Colour temperature: 2700..6500K
- Colour rendering index: CRI > 80
- Light colour: 8tw
- SDCM (Standard Deviation of Colour Matching): MacAdam ≤ 3 SDCM (initial)
- Rated input power: 44W

Operating device:

- Control: DALI DT8

Certificates, Standards

- Protection rating: IP20
- Protection rating (lamp compartment, on room side): IP50
- Insulation class: insulation class I (protective earthing)
- Certification, designation: CE, ENEC

Material, Colour

- housing: aluminium, coated, pure white
- Colour specification: pure white
- housing upper side: sheet steel, galvanised
- Cover: micro prismatic cover of PMMA

Mounting

- Mounting method, mounting location: lay-in mounting, in the ceiling
- Arrangement: single arrangement

Electrical connection

- Connection: terminal, 5-pole
- Nominal voltage: 220..240V, 50/60Hz, AC

Dimensions, Weight

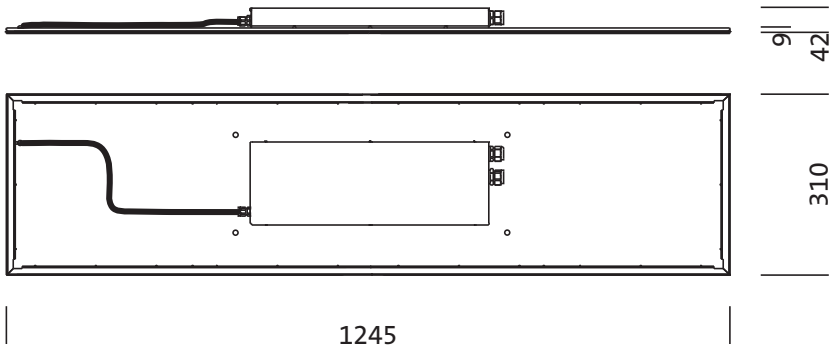
- Length: 1245mm
- Width: 307mm
- Height: 30mm
- Weight: 5.4kg

Service life

- Rated service life: 100000h (L80/B50) at AT = 25°C, 50000h (L90/B50) at AT = 25°C

Order No.: 51MQ14WD2T12 | GTIN (EAN): 4058352390610

Dimensions: Apol21I,1245x307,4200lm8tw,DT8,5p



It is mandatory that the assembly instructions must be observed when planning and installing the electrical installation (to be found at www.siteco.com)

Tolerances related to thermal, electrical and photometric data according to IEC 62722

Issued 02.02.2024 - Modifications and errors subject to change - Ensure that you always use the latest version -