

Order No.: 59MX1CW000WA | GTIN (EAN): 4058352608791

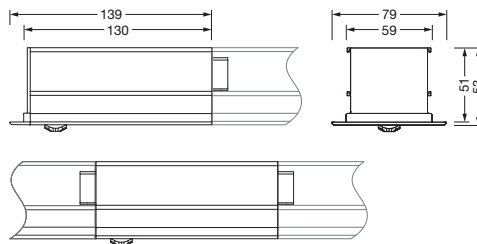
Product description: Sil21,SensMoPC3S,lokCtrl,PIR-sens



Silica® 21sensor module PC3-S, slave, local control, dimmable, installation arrangement: single/continuous arrangement, installation type: slip-in mounting, installation location: to the luminaire, of extruded aluminium section, protection rating (complete): IP20, insulation class (complete): insulation class I (protective earthing), certification: CE, 1 x PIR movement sensor, 1 x light sensor, packaging unit: 1 piece

IP 20  

Wt. (kg): 0.5
GTIN (EAN): 4058352608791



It is mandatory that the assembly instructions must be observed when planning and installing the electrical installation (to be found at www.siteco.com)

Tolerances related to thermal, electrical and photometric data according to IEC 62722

Issued 17.11.2023 - Modifications and errors subject to change - Ensure that you always use the latest version -

Order No.: 59MX1CW000WA | GTIN (EAN): 4058352608791

Detailed technical description: Sil21,SensMoPC3S,IokCtrl,PIR-sens

Key data

- System family: SITECO Connect 31 Wireless
- Product type: lighting management components
- Product name: Silica® 21
- Order No.: 59MX1CW000WA

Lighting technology | Lamps | Control gear

Component 1

Operating device:

- Control: Bluetooth® mesh 4.2, dimmable

Certificates, Standards

- Protection rating: IP20
- Insulation class: insulation class I (protective earthing)
- Temperature range (operation): 0..+40°C
- Certification, designation: CE

Material, Colour

- housing: extruded aluminium section, anodised, traffic white (RAL 9016), for luminaires with darklight reflector
- Colour specification: traffic white (RAL 9016)

Mounting

- Mounting method, mounting location: slip-in mounting, to the luminaire
- Mounting height: 2.5..5m
- Arrangement: single/continuous arrangement
- Supplement: for recessed luminaires

Dimensions, Weight

- Length: 139mm
- Width: 53mm
- Height: 54mm
- Weight: 0.5kg

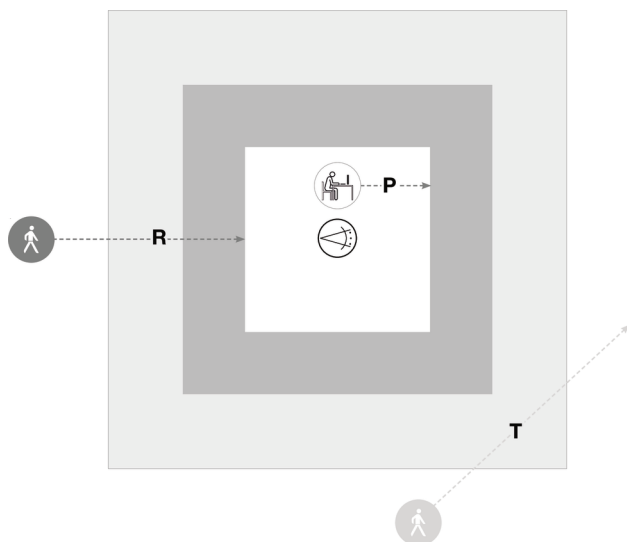
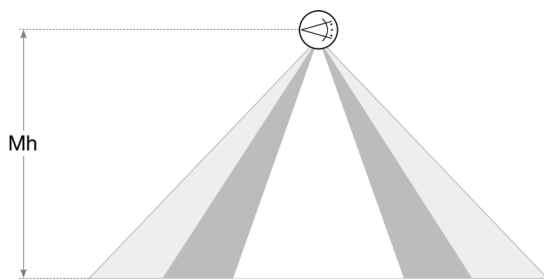
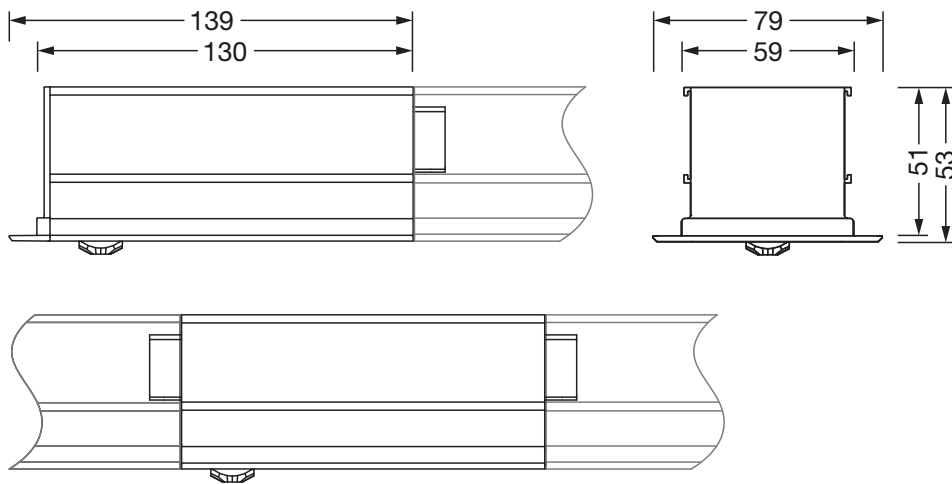
Inputs

1x PIR movement sensor

- Connection: PIR sensor (passive-infrared)

Order No.: 59MX1CW000WA | GTIN (EAN): 4058352608791

Dimensions: Sil21,SensMoPC3S,lokCtrl,PIR-sens



Sensor PS3

Mh	R	T	P
2,8m	4x4m	ca. 4x5m	ca. 2x2m

It is mandatory that the assembly instructions must be observed when planning and installing the electrical installation (to be found at www.siteco.com)
 Tolerances related to thermal, electrical and photometric data according to IEC 62722
 Issued 17.11.2023 - Modifications and errors subject to change - Ensure that you always use the latest version -