

Order No.: 5XA7100W5ZS00100XX | **GTIN (EAN):** 4058352448861

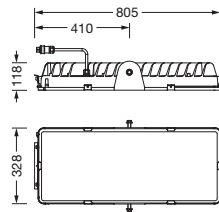
Product description: Sirius500,LH,AREA-PL52,55860lm957,p-red



Sirius® 500, luminaire head, primary light control with lens, of glass, primary optical cover: cover, of toughened safety glass, transparent, light distribution: AREA-PL52, light emission: direct distribution, primary light characteristic: asymmetric, installation type: screw fastening, LED, High Power LED, rated luminous flux: 55.860lm, luminous efficacy: 113lm/W, light colour: 957, colour temperature: 5700K, control gear: power reductionDALI, with cable with plug, mains connection: 220..240V, AC, 50/60Hz, cable length: 1,5m, rated input power: 493W, of diecast aluminium, powder-coated, Siteco® metallic grey (DB 702S), length: 792mm, width: 330mm, height: 126mm, protection rating (complete): IP66, insulation class (complete): insulation class I (protective earthing), certification: CE, ENEC, impact resistance: IK10, permissible operating ambient temperature for outdoor applications: in indoor areas: -30..+45°C, permissible storage temperature: -40..+80°C, packaging unit: 1 piece



Lamps:	LED
Wt. (kg):	16.0
GTIN (EAN):	4058352448861



It is mandatory that the assembly instructions must be observed when planning and installing the electrical installation (to be found at www.siteco.com)

Tolerances related to thermal, electrical and photometric data according to IEC 62722

Issued 09.04.2025 - Modifications and errors subject to change - Ensure that you always use the latest version -

Order No.: 5XA7100W5ZS00100XX | GTIN (EAN): 4058352448861

Detailed technical description: Sirius500,LH,AREA-PL52,55860lm957,p-red



Key data

- Product type: luminaire head
- Product name: Sirius® 500
- Order No.: 5XA7100W5ZS00100XX

Lighting technology | Lamps | Control gear

Component 1

Lighting technology:

- Light control: lens of glass
- Cover: cover, transparent
- Light distribution: AREA-PL52
- Symmetry: asymmetric distribution
- Light emission: direct distribution

Lamps:

- Lamps: with High Power LED, LED
- Rated luminous flux: 55860lm
- Luminous efficacy: 113lm/W
- Colour temperature: 5700K
- Colour rendering index: CRI > 95
- Light colour: 957
- TLCI (Television Light Consistency Index): TLCI ≥ 96
- Rated input power: 493W
- Supplement: dimming range 5..100% per LED segment

Operating device:

- Control: power reduction, DALI

Certificates, Standards

- Protection rating: IP66
- Insulation class: insulation class I (protective earthing)
- Impact resistance: IK10
- Temperature range (operation): in indoor areas: -30..+45°C
- Certification, designation: CE, ENEC

Material, Colour

- Colour specification: Siteco® metallic grey (DB 702S)
- Cover: cover of toughened safety glass

Mounting

- Mounting method, mounting location: screw fastening, to mounting bracket

Electrical connection

- Connection: cable with plug
- Nominal voltage: 220..240V, 50/60Hz, AC

Dimensions, Weight

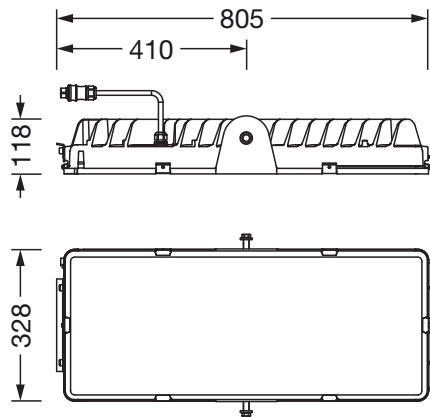
- Length: 792mm
- Width: 330mm
- Height: 126mm
- Weight: 16.0kg

Service life

- Rated service life: 50000h (L90/B50) at AT = 25°C, 10000h (L97/B50) at AT = 25°C

Order No.: 5XA7100W5ZS00100XX | GTIN (EAN): 4058352448861

Dimensions: Sirius500,LH,AREA-PL52,55860lm957,p-red



It is mandatory that the assembly instructions must be observed when planning and installing the electrical installation (to be found at www.siteco.com)
Tolerances related to thermal, electrical and photometric data according to IEC 62722
Issued 09.04.2025 - Modifications and errors subject to change - Ensure that you always use the latest version -