

Order No.: OMD5307L1830 | **GTIN (EAN):** 4052899987524

Product description: Rond21,1800lm830,0/1,PC,wh

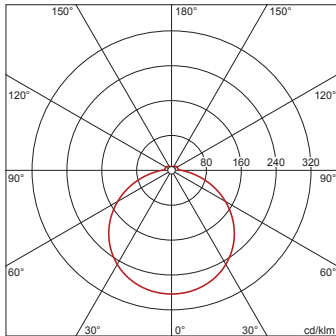


Rondel 21, wall and ceiling luminaire, of PC, opal, light emission: direct distribution, installation type: surface-mounted, LED, rated luminous flux: 1.800lm, luminous efficacy: 100lm/W, light colour: 830, colour temperature: 3000K, control gear: ECG, with terminal, 2-pole, mains connection: 220..240V, AC, 50/60Hz, rated input power: 18W, housing, round, of sheet steel, powder-coated, white, diameter: 380mm, height: 28mm, cover, of PC, graphite (RAL 7037), protection rating (complete): IP40, insulation class (complete): insulation class II (safety insulation), certification: CE, impact resistance: IK03, permissible operating ambient temperature: -20..+40°C, permissible storage temperature: -20..+80°C, packaging unit: 1 piece

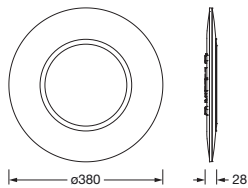
IP 40 IK 03  

4052899987524
OMD5307L1830

LED 3000K / CRI ≥ 80 ϕ_{N} 1800 lm



Lamps: LED
Wt. (kg): 1.6
GTIN (EAN): 4052899987524



Order No.: OMD5307L1830 | GTIN (EAN): 4052899987524

Detailed technical description: Rond21,1800lm830,0/1,PC,wh



Key data

- Product type: wall and ceiling luminaire
- Product name: Rondel 21
- Order No.: OMD5307L1830

Dimensions, Weight

- Diameter: 380mm
- Height: 28mm
- Weight: 1.6kg

Lighting technology | Lamps | Control gear

Service life

- Rated service life: 50000h (L70/B50) at AT = 25°C

Component 1

Lighting technology:

- Light emission: direct distribution

Lamps:

- Lamps: with LED
- Rated luminous flux: 1800lm
- Luminous efficacy: 100lm/W
- Colour temperature: 3000K
- Colour rendering index: CRI > 80
- Light colour: 830
- SDCM (Standard Deviation of Colour Matching): MacAdam ≤ 5 SDCM (initial)
- Rated input power: 18W

Operating device:

- Control gear: ECG
- Control: ON/OFF

Certificates, Standards

- Protection rating: IP40
- Insulation class: insulation class II (safety insulation)
- Impact resistance: IK03
- Temperature range (operation): -20..+40°C
- Certification, designation: CE

Material, Colour

- housing: sheet steel, powder-coated, white, round
- Colour specification: white
- cover: PC, graphite (RAL 7037)
- Colour specification: graphite (RAL 7037)

Mounting

- Mounting method, mounting location: surface-mounted, to the ceiling, to the wall

Electrical connection

- Connection: terminal, 2-pole
- Nominal voltage: 220..240V, 50/60Hz, AC

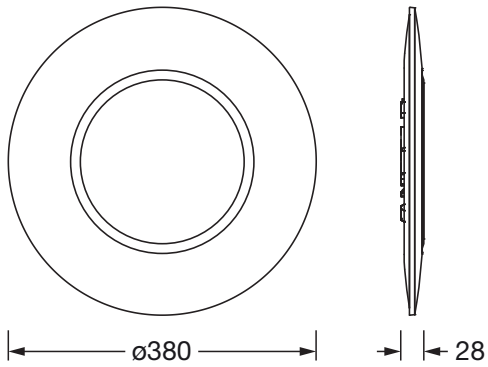
It is mandatory that the assembly instructions must be observed when planning and installing the electrical installation (to be found at www.siteco.com)

Tolerances related to thermal, electrical and photometric data according to IEC 62722

Issued 03.03.2023 - Modifications and errors subject to change - Ensure that you always use the latest version -

Order No.: OMD5307L1830 | GTIN (EAN): 4052899987524

Dimensions: Rond21,1800lm830,0/1,PC,wh

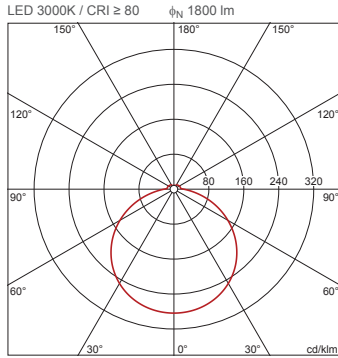


Order No.: OMD5307L1830 | **GTIN (EAN):** 4052899987524

Planning data: Rond21,1800lm830,0/1,PC,wh

**OMD5307L1830: 1x LED
3000K / CRI ≥ 80**

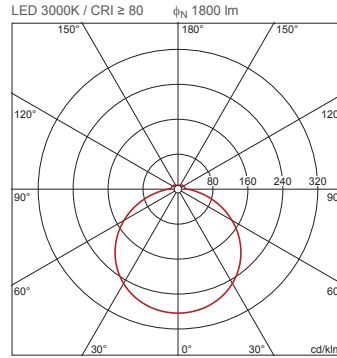
4052899987524
OMD5307L1830



H(m)	ϕ (m)	E _{max} (lx)	E _m (lx)
2	6.98	128	56
3	10.48	57	25
4	13.97	32	14
5	17.46	20	9
6	20.95	14	6

**OMD5307L1830 + OMD5303B:
1x LED 3000K / CRI ≥ 80**

4052899987524 + 4052899987609
OMD5307L1830 + OMD5303B



H(m)	ϕ (m)	E _{max} (lx)	E _m (lx)
2	6.98	128	56
3	10.48	57	25
4	13.97	32	14
5	17.46	20	9
6	20.95	14	6

**OMD5307L1830 + OMD5303B:
1x LED 4000K / CRI ≥ 80;
emergency light operation
min. luminous flux: 3 h**

4052899987524 + 4052899987609
OMD5307L1830 + OMD5303B

