

Order No.: 5DNA7300 | GTIN (EAN): 4050737051796

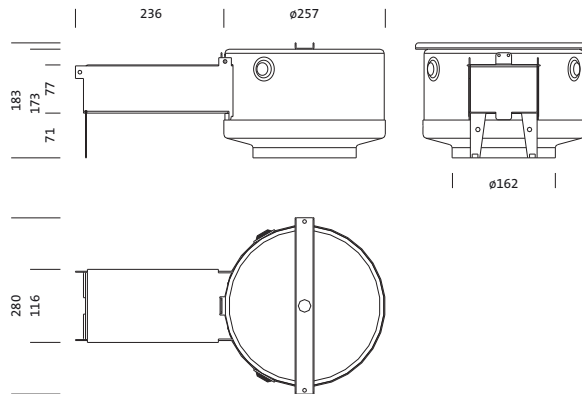
Product description: **concr.cast.box**



Lunis 2 mini, mounting components group, concrete casting box, certification: CE, packaging unit: 1 piece

CE

Wt. (kg): 1.2
GTIN (EAN): 4050737051796



Order No.: 5DNA7300 | **GTIN (EAN):** 4050737051796

Detailed technical description: concr.cast.box



Key data

- Product type: mounting components group
- Product name: Lunis 2 mini
- Order No.: 5DNA7300

Certificates, Standards

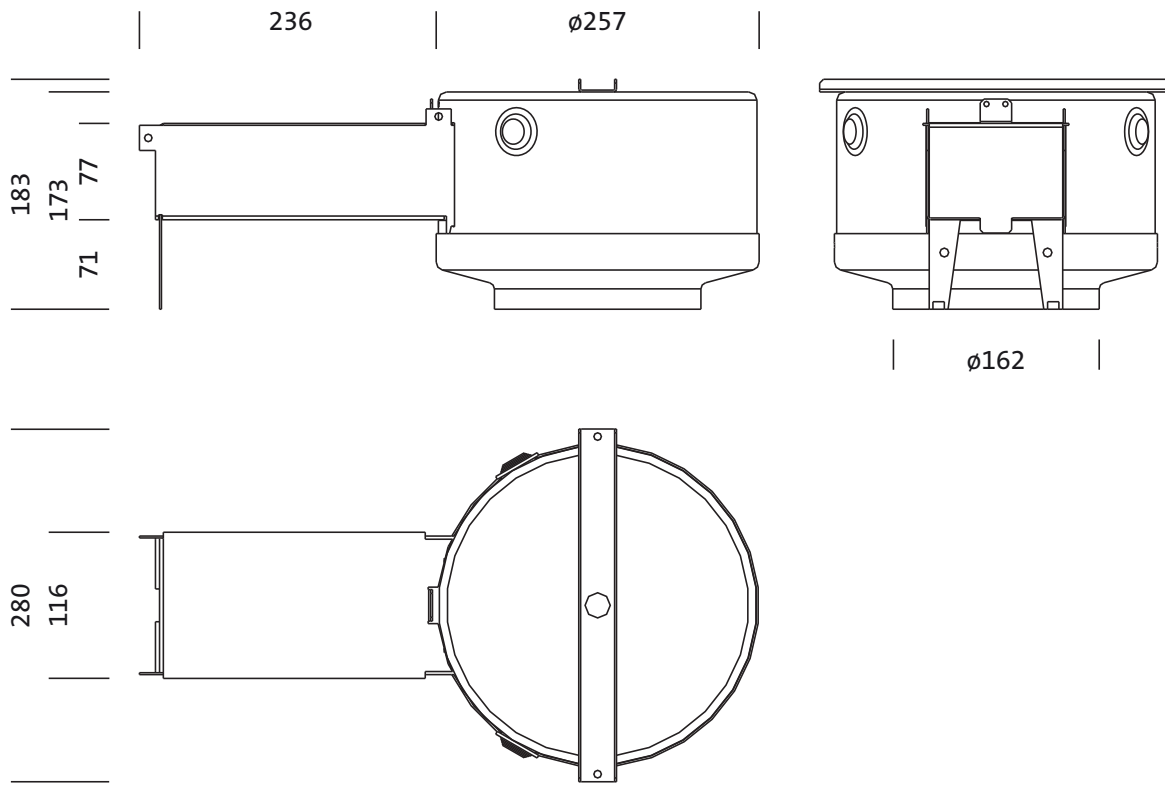
- Certification, designation: CE

Dimensions, Weight

- Weight: 1.2kg

Order No.: 5DNA7300 | GTIN (EAN): 4050737051796

Dimensions: **concr.cast.box**



It is mandatory that the assembly instructions must be observed when planning and installing the electrical installation (to be found at www.siteco.com)

Tolerances related to thermal, electrical and photometric data according to IEC 62722

Issued 24.02.2023 - Modifications and errors subject to change - Ensure that you always use the latest version -