

Order No.: 5DTAXTS231 | GTIN (EAN): 4050737842530

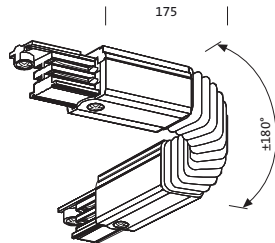
Product description: AXT,angleconn-flex,recsurf,plast,gy



AX T, flexible angle connector, installation type: recessed, surface-mounted, of plastic, grey, for 3-phase track, can be rotated through 360°, certification: CE, packaging unit: 1 piece

CE

Wt. (kg): 0.1  
GTIN (EAN): 4050737842530



Order No.: 5DTAXTS231 | GTIN (EAN): 4050737842530

Detailed technical description: AXT,angleconn-flex,recsurf,plast,gy



#### Key data

- Product type: flexible angle connector
- Product name: AX T
- Order No.: 5DTAXTS231

#### Lighting technology | Lamps | Control gear

#### Component 1

#### Operating device:

- Control: ON/OFF

#### Certificates, Standards

- Certification, designation: CE

#### Material, Colour

- Colour specification: grey

#### Mounting

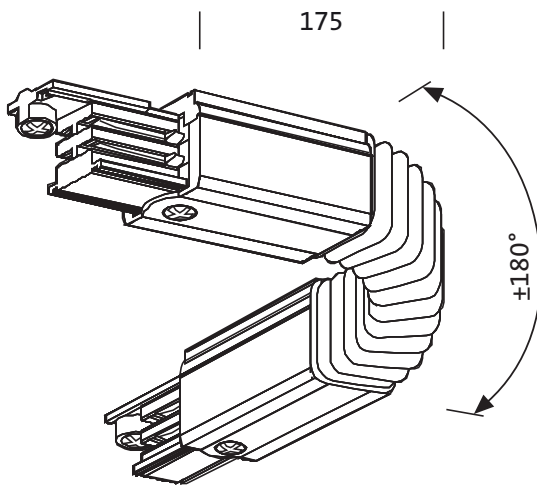
- Mounting method, mounting location: surface-mounted, recessed, to the ceiling, in the ceiling

#### Dimensions, Weight

- Weight: 0.1kg

Order No.: 5DTAXTS231 | GTIN (EAN): 4050737842530

Dimensions: AXT,angleconn-flex,recsurf,plast,gy



It is mandatory that the assembly instructions must be observed when planning and installing the electrical installation (to be found at [www.siteco.com](http://www.siteco.com))

Tolerances related to thermal, electrical and photometric data according to IEC 62722

Issued 07.07.2023 - Modifications and errors subject to change - Ensure that you always use the latest version -