

Order No.: 5EA5Y00K03 | GTIN (EAN): 4039806896445

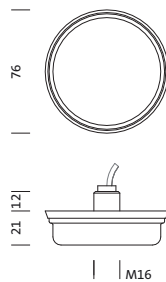
Product description: SLC,antenna



Street Light Controlantenna, installation type: surface-mounted, installation location: on a switching cabinet, of plastic, protection rating (complete): IP67, certification: CE, connection cable pre-assembled, 1 x 1 x packaging unit: 1 piece

IP 67 CE

Wt. (kg): 0.1
GTIN (EAN): 4039806896445



It is mandatory that the assembly instructions must be observed when planning and installing the electrical installation (to be found at www.siteco.com)

Tolerances related to thermal, electrical and photometric data according to IEC 62722

Issued 29.09.2023 - Modifications and errors subject to change - Ensure that you always use the latest version -

Order No.: 5EA5Y00K03 | GTIN (EAN): 4039806896445

Detailed technical description: SLC, antenna



Key data

- Product type: lighting management components
- Product name: Street Light Control
- Order No.: 5EA5Y00K03

Certificates, Standards

- Protection rating: IP67
- Temperature range (operation): -40..+85°C
- Certification, designation: CE

Material, Colour

- housing: plastic, black
- Colour specification: black

Mounting

- Mounting method, mounting location: surface-mounted, on a switching cabinet

Electrical connection

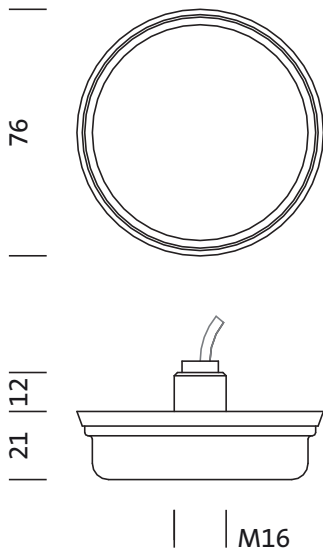
- Operative power consumption: max. 12VA
- Connection cable: pre-assembled

Dimensions, Weight

- Diameter: 82mm
- Height: 15mm
- Weight: 0.1kg

Order No.: 5EA5Y00K03 | GTIN (EAN): 4039806896445

Dimensions: SLC, antenna



It is mandatory that the assembly instructions must be observed when planning and installing the electrical installation (to be found at www.siteco.com)

Tolerances related to thermal, electrical and photometric data according to IEC 62722

Issued 29.09.2023 - Modifications and errors subject to change - Ensure that you always use the latest version -