

Order No.: 5MZ212D03WA | **GTIN (EAN):** 4058352066362

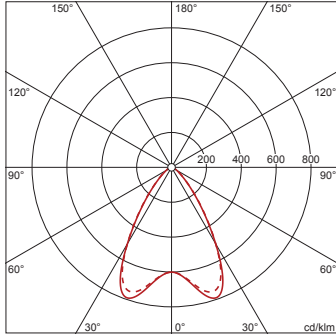
Product description: Scri11,LED4390lm830,DA,L1658,surf



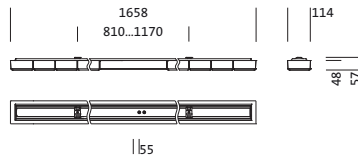
Scriptus® 11, office luminaire, primary optical cover: lenses, CAT 2 ($L \leq 3000 \text{cd/m}^2$), light emission: direct distribution, primary light characteristic: symmetric, installation type: surface-mounted, LED, rated luminous flux: 4.390lm, luminous efficacy: 127lm/W, light colour: 830, colour temperature: 3000K, control gear: ECG DALI, with terminal, 5-pole, mains connection: 230V, AC, 50Hz, rated input power: 35W, housing, luminaire housing, of aluminium, traffic white (RAL 9016), length: 1.658mm, width: 114mm, height: 57mm, protection rating (complete): IP20, insulation class (complete): insulation class I (protective earthing), certification: CE, ENEC, VDE, protection symbol: F, permissible operating ambient temperature: 0...+35°C, standard: EN 50419, packaging unit: 1 piece

4058352066362
5MZ212D03WA

LED 3000K / CRI ≥ 80 Φ_N 4390 lm



Lamps:	LED
Wt. (kg):	5.3
GTIN (EAN):	4058352066362



Order No.: 5MZ212D03WA | GTIN (EAN): 4058352066362

Detailed technical description: Scri11,LED4390lm830,DA,L1658,surf



Key data

- Product type: office luminaire
- Product name: Scriptus® 11
- Order No.: 5MZ212D03WA

Lighting technology | Lamps | Control gear

Component 1

Lighting technology:

- Cover: lenses
- Symmetry: symmetric distribution
- Light emission: direct distribution
- UGR viewing direction along longitudinal luminaire axis: ≤ 19
- UGR viewing direction along lateral luminaire axis: ≤ 19

Lamps:

- Lamps: with LED
- Rated luminous flux: 4390lm
- Luminous efficacy: 127lm/W
- Colour temperature: 3000K
- Colour rendering index: CRI > 80
- Light colour: 830
- Rated input power: 35W

Operating device:

- Control gear: ECG DALI
- Control: DALI

Certificates, Standards

- Protection rating: IP20
- Insulation class: insulation class I (protective earthing)
- Protection symbol: F
- Temperature range (operation): 0..+35°C
- Standard: EN 50419
- Certification, designation: CE, ENEC, VDE

Material, Colour

- housing: aluminium, traffic white (RAL 9016)
- luminaire housing: aluminium, traffic white (RAL 9016)
- Colour specification: traffic white (RAL 9016)
- Cover: lenses

Mounting

- Mounting method, mounting location: surface-mounted, to the ceiling
- Arrangement: single arrangement

Electrical connection

- Connection: terminal, 5-pole
- Nominal voltage: 230V, 230..240V, 50Hz, AC

Dimensions, Weight

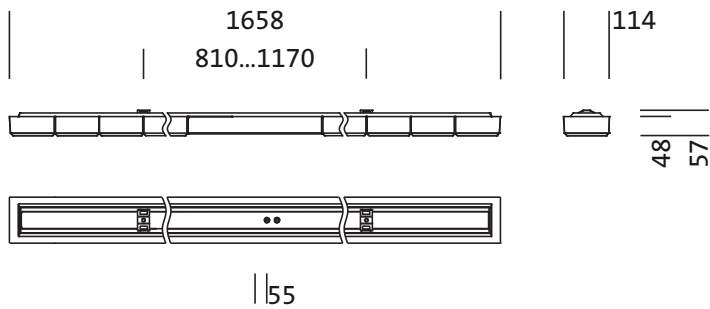
- Length: 1658mm
- Width: 114mm
- Height: 57mm
- Weight: 5.3kg

Service life

- Rated service life: 50000h (L85/B50) at AT = 25°C

Order No.: 5MZ212D03WA | GTIN (EAN): 4058352066362

Dimensions: Scri11,LED4390lm830,DA,L1658,surf



It is mandatory that the assembly instructions must be observed when planning and installing the electrical installation (to be found at www.siteco.com)

Tolerances related to thermal, electrical and photometric data according to IEC 62722

Issued 24.02.2023 - Modifications and errors subject to change - Ensure that you always use the latest version -

Order No.: 5MZ212D03WA | **GTIN (EAN):** 4058352066362

Planning data: Scri11,LED4390lm830,DA,L1658,surf

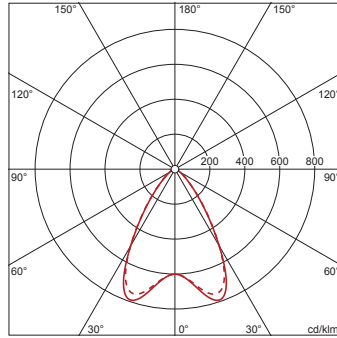
5MZ212D03WA: 1x LED
3000K / CRI ≥ 80

4058352066362

5MZ212D03WA

LED 3000K / CRI ≥ 80

ϕ_N 4390 lm



ϕ_{\downarrow} 100% ϕ_{\uparrow} 0%

Luminance values (cd/m²)

	C 0/180	C 90/270
L ₈₀	1787	1825
L ₇₀	2263	2298
L ₆₅	2465	2594

UGR 16.9 17.1

X 4H Y 8H ρ 70/50/20 S 0.25H

It is mandatory that the assembly instructions must be observed when planning and installing the electrical installation (to be found at www.siteco.com)

Tolerances related to thermal, electrical and photometric data according to IEC 62722

Issued 24.02.2023 - Modifications and errors subject to change - Ensure that you always use the latest version -