

Order No.: 5MZ313D04WA | **GTIN (EAN):** 4058352128718

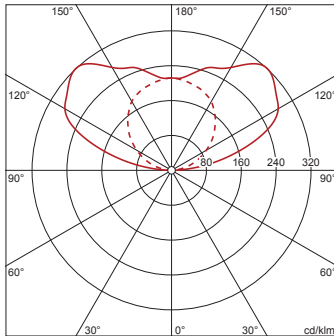
Product description: Scri11,LED13330lm840,DA,L2648,sp



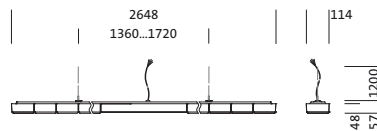
Scriptus 11, office luminaire, primary optical cover: lenses, CAT 2 ($L \leq 3000 \text{cd/m}^2$), light emission: direct/indirect distribution, primary light characteristic: symmetric, installation type: suspended mounting, LED, rated luminous flux: 13.330lm, luminous efficacy: 134lm/W, light colour: 840, colour temperature: 4000K, control gear: DALI, with terminal, 5-pole, mains connection: 230V, AC, 50Hz, rated input power: 99W, LED, control gear: ECG DALI, housing, luminaire housing, of aluminium, traffic white (RAL 9016), length: 2.648mm, width: 114mm, height: 57mm, protection rating (complete): IP20, insulation class (complete): insulation class I (protective earthing), certification: CE, ENEC, VDE, protection symbol: F, permissible operating ambient temperature: 0..+35°C, standard: EN 50419, packaging unit: 1 piece

4058352128718
5MZ313D04WA

LED 4000K / CRI ≥ 80 Φ_N 5310 lm



| | |
|-------------|---------------|
| Lamps: | LED |
| Lamps 2: | LED |
| Wt. (kg): | 8.1 |
| GTIN (EAN): | 4058352128718 |



Order No.: 5MZ313D04WA | GTIN (EAN): 4058352128718

Detailed technical description: Scri11,LED13330lm840,DA,L2648,sp



Key data

- Product type: office luminaire
- Product name: Scriptus 11
- Order No.: 5MZ313D04WA

Lighting technology | Lamps | Control gear

Component 1

Lighting technology:

- Cover: lenses
- Symmetry: symmetric
- Light emission: direct/indirect distribution
- UGR viewing direction along longitudinal luminaire axis: ≤ 19
- UGR viewing direction along lateral luminaire axis: ≤ 19

Lamps:

- Lamps: with LED

Operating device:

- Control gear: ECG DALI

Component 2

Certificates, Standards

- Protection rating: IP20
- Insulation class: insulation class I (protective earthing)
- Protection symbol: F
- Temperature range (operation): 0..+35°C
- Standard: EN 50419
- Certification, designation: CE, ENEC, VDE

Material, Colour

- housing: aluminium, traffic white (RAL 9016)
- luminaire housing: aluminium, traffic white (RAL 9016)
- Cover: lenses

Mounting

- Mounting method, mounting location: suspended mounting, to wire
- Arrangement: single arrangement

Electrical connection

- Connection: terminal, 5-pole
- Nominal voltage: 230V, 230..240V, 50Hz, AC

Dimensions, Weight

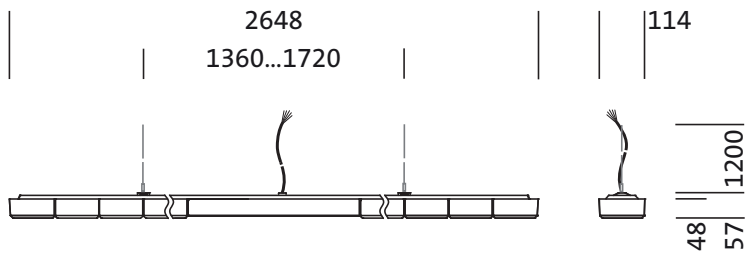
- Length: 2648mm
- Width: 114mm
- Height: 57mm
- Weight: 8.1kg

Service life

- Rated service life: 50000h (L85/B50) at AT = 25°C

Order No.: 5MZ313D04WA | GTIN (EAN): 4058352128718

Dimensions: Scri11,LED13330lm840,DA,L2648,sp



It is mandatory that the assembly instructions must be observed when planning and installing the electrical installation (to be found at www.siteco.com)

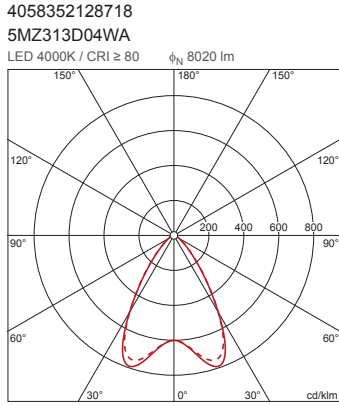
Tolerances related to thermal, electrical and photometric data according to IEC 62722

Issued 14.02.2026 - Modifications and errors subject to change - Ensure that you always use the latest version -

Order No.: 5MZ313D04WA | GTIN (EAN): 4058352128718

Planning data: Scri11,LED13330lm840,DA,L2648,sp

**5MZ313D04WA: 1x LED
4000K / CRI ≥ 80; individual
setting: only direct light**



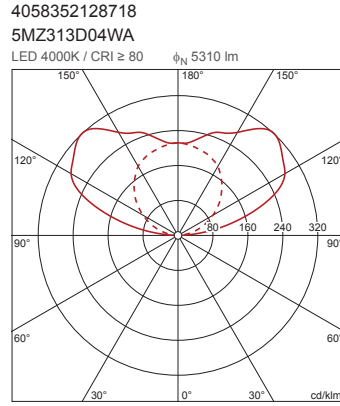
ϕ_{\downarrow} 100% ϕ_{\uparrow} 0%

Luminance values (cd/m²)

| | C 0/180 | C 90/270 |
|-----------------|---------|----------|
| L ₈₀ | 1959 | 2000 |
| L ₇₀ | 2481 | 2519 |
| L ₆₅ | 2702 | 2844 |

UGR 17.2 17.4
X 4H Y 8H ρ 70/50/20 S 0.25H

**5MZ313D04WA: 1x LED
4000K / CRI ≥ 80; individual
setting: only indirect light**

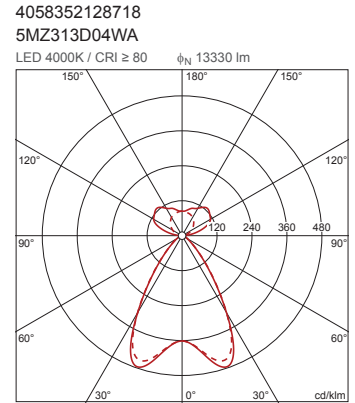


ϕ_{\downarrow} 0% ϕ_{\uparrow} 100%

Luminance values (cd/m²)

| | C 0/180 | C 90/270 |
|-----------------|---------|----------|
| L ₈₀ | 0 | 0 |
| L ₇₀ | 0 | 0 |
| L ₆₅ | 0 | 0 |

**5MZ313D04WA: 1x LED
4000K / CRI ≥ 80; factory
setting: direct and indirect
light**



ϕ_{\downarrow} 60% ϕ_{\uparrow} 40%

Luminance values (cd/m²)

| | C 0/180 | C 90/270 |
|-----------------|---------|----------|
| L ₈₀ | 1959 | 2000 |
| L ₇₀ | 2481 | 2519 |
| L ₆₅ | 2702 | 2844 |

UGR 14.1 14.2
X 4H Y 8H ρ 70/50/20 S 0.25H

It is mandatory that the assembly instructions must be observed when planning and installing the electrical installation (to be found at www.siteco.com)

Tolerances related to thermal, electrical and photometric data according to IEC 62722

Issued 14.02.2026 - Modifications and errors subject to change - Ensure that you always use the latest version -