

**Order No.:** 5MZ314D04WA | **GTIN (EAN):** 4058352067789

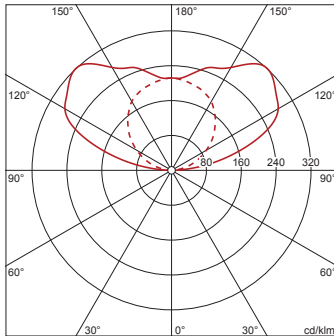
**Product description:** Scri11,LED16060lm840,DA,L3088,sp



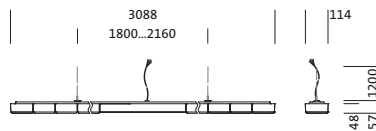
Scriptus 11, office luminaire, primary optical cover: lenses, CAT 2 ( $L \leq 3000 \text{cd/m}^2$ ), light emission: direct/indirect distribution, primary light characteristic: symmetric, installation type: suspended mounting, LED, rated luminous flux: 16.060lm, luminous efficacy: 133lm/W, light colour: 840, colour temperature: 4000K, control gear: DALI, with terminal, 5-pole, mains connection: 230V, AC, 50Hz, rated input power: 120W, LED, control gear: ECG DALI, housing, luminaire housing, of aluminium, traffic white (RAL 9016), length: 3.088mm, width: 114mm, height: 57mm, protection rating (complete): IP20, insulation class (complete): insulation class I (protective earthing), certification: CE, ENEC, VDE, protection symbol: F, permissible operating ambient temperature: 0..+35°C, standard: EN 50419, packaging unit: 1 piece

4058352067789  
5MZ314D04WA

LED 4000K / CRI  $\geq 80$   $\phi_{\text{N}}$  6430 lm



Lamps:	LED
Lamps 2:	LED
Wt. (kg):	10.4
GTIN (EAN):	4058352067789



It is mandatory that the assembly instructions must be observed when planning and installing the electrical installation (to be found at [www.siteco.com](http://www.siteco.com))

Tolerances related to thermal, electrical and photometric data according to IEC 62722

Issued 14.02.2026 - Modifications and errors subject to change - Ensure that you always use the latest version -

**Order No.:** 5MZ314D04WA | **GTIN (EAN):** 4058352067789

**Detailed technical description:** Scri11,LED16060lm840,DA,L3088,sp



#### Key data

- Product type: office luminaire
- Product name: Scriptus 11
- Order No.: 5MZ314D04WA

#### Lighting technology | Lamps | Control gear

##### Component 1

#### Lighting technology:

- Cover: lenses
- Symmetry: symmetric
- Light emission: direct/indirect distribution
- UGR viewing direction along longitudinal luminaire axis:  $\leq 19$
- UGR viewing direction along lateral luminaire axis:  $\leq 19$

#### Lamps:

- Lamps: with LED

#### Operating device:

- Control gear: ECG DALI

##### Component 2

#### Certificates, Standards

- Protection rating: IP20
- Insulation class: insulation class I (protective earthing)
- Protection symbol: F
- Temperature range (operation): 0..+35°C
- Standard: EN 50419
- Certification, designation: CE, ENEC, VDE

#### Material, Colour

- housing: aluminium, traffic white (RAL 9016)
- luminaire housing: aluminium, traffic white (RAL 9016)
- Cover: lenses

#### Mounting

- Mounting method, mounting location: suspended mounting, to wire
- Arrangement: single arrangement

#### Electrical connection

- Connection: terminal, 5-pole
- Nominal voltage: 230V, 230..240V, 50Hz, AC

#### Dimensions, Weight

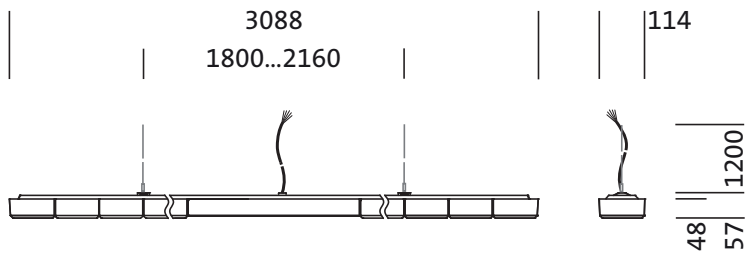
- Length: 3088mm
- Width: 114mm
- Height: 57mm
- Weight: 10.4kg

#### Service life

- Rated service life: 50000h (L85/B50) at AT = 25°C, 50000h (L80/B10) at AT = 25°C

Order No.: 5MZ314D04WA | GTIN (EAN): 4058352067789

Dimensions: Scri11,LED16060lm840,DA,L3088,sp



It is mandatory that the assembly instructions must be observed when planning and installing the electrical installation (to be found at [www.siteco.com](http://www.siteco.com))

Tolerances related to thermal, electrical and photometric data according to IEC 62722

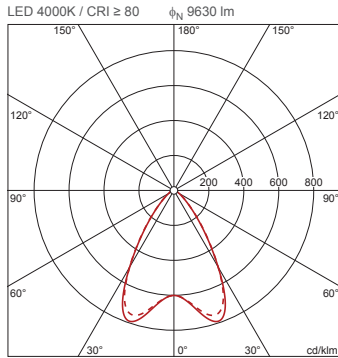
Issued 14.02.2026 - Modifications and errors subject to change - Ensure that you always use the latest version -

Order No.: 5MZ314D04WA | GTIN (EAN): 4058352067789

Planning data: Scri11,LED16060lm840,DA,L3088,sp

**5MZ314D04WA: 1x LED  
4000K / CRI ≥ 80; individual  
setting: only direct light**

4058352067789  
5MZ314D04WA



$\phi_{\downarrow}$  100%  $\phi_{\uparrow}$  0%

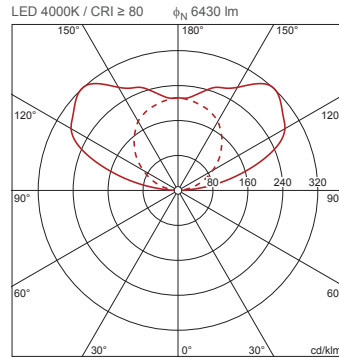
Luminance values (cd/m<sup>2</sup>)

	C 0/180	C 90/270
L <sub>80</sub>	1960	2001
L <sub>70</sub>	2482	2520
L <sub>65</sub>	2704	2845

UGR 17.2 17.4  
X 4H Y 8H  $\rho$  70/50/20 S 0.25H

**5MZ314D04WA: 1x LED  
4000K / CRI ≥ 80; individual  
setting: only indirect light**

4058352067789  
5MZ314D04WA



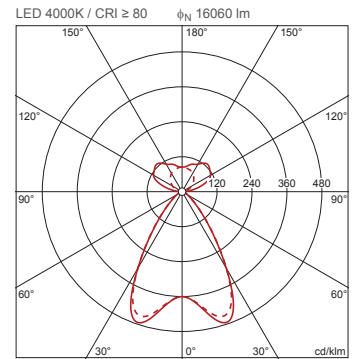
$\phi_{\downarrow}$  0%  $\phi_{\uparrow}$  100%

Luminance values (cd/m<sup>2</sup>)

	C 0/180	C 90/270
L <sub>80</sub>	0	0
L <sub>70</sub>	0	0
L <sub>65</sub>	0	0

**5MZ314D04WA: 1x LED  
4000K / CRI ≥ 80; factory  
setting: direct and indirect  
light**

4058352067789  
5MZ314D04WA



$\phi_{\downarrow}$  60%  $\phi_{\uparrow}$  40%

Luminance values (cd/m<sup>2</sup>)

	C 0/180	C 90/270
L <sub>80</sub>	1960	2001
L <sub>70</sub>	2482	2521
L <sub>65</sub>	2704	2846

UGR 14.1 14.2  
X 4H Y 8H  $\rho$  70/50/20 S 0.25H